



# TLC STANDARDS

PROJECT > PRODUCTION > ASSEMBLY

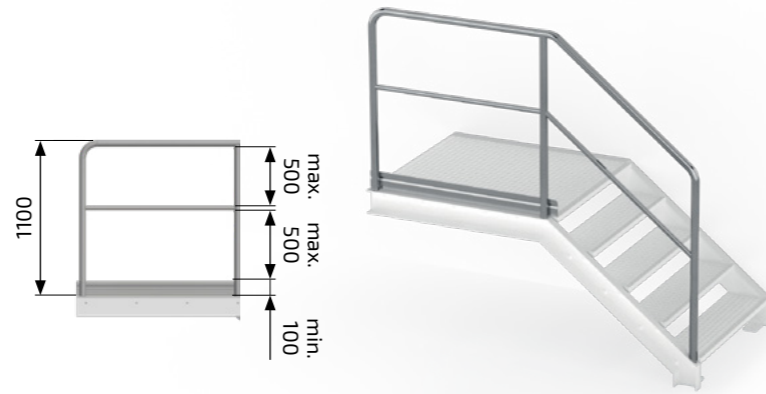




## 1. Types of balustrade

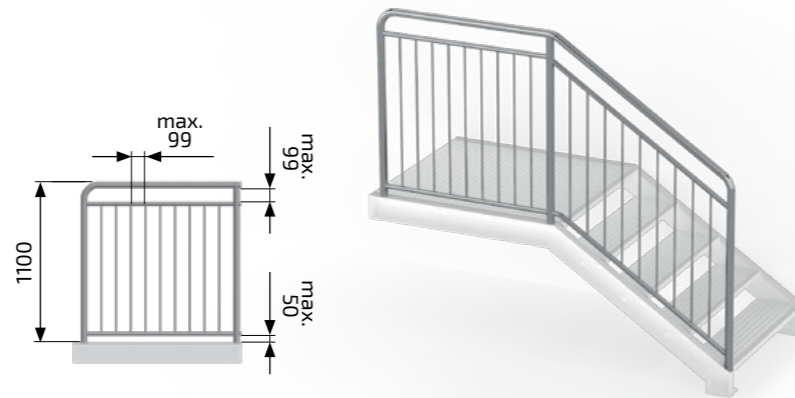
### INDUSTRIAL ACC. TO EN-ISO 14122

- Handgrip and railposts made of circular pipe  $\varnothing 42,4$
- Middle bar made of circular pipe  $\varnothing 26,9$
- Equipped with kickplate – 100 or 150 high, #1,5 or #2 thickness depending on width of railing



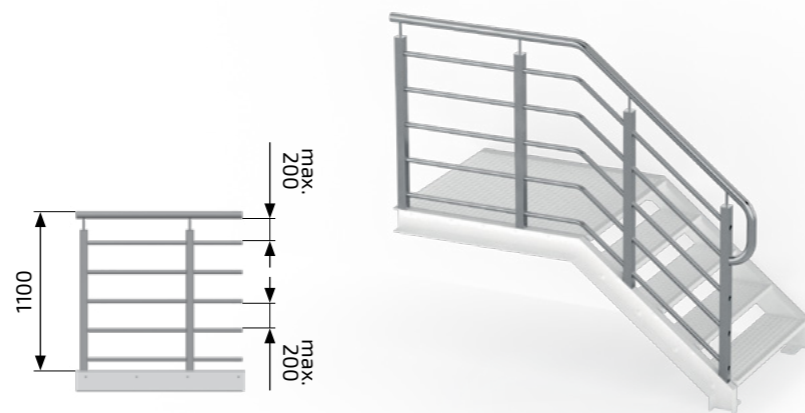
### CHILDREN-SAFE

- Handgrip made of circular pipe  $\varnothing 42,4$
- Railposts made of circular pipe  $\varnothing 42,4$
- Two followers made of circular pipe  $\varnothing 26,9$
- Filling of vertical round bars  $\varnothing 12$



### BALUSTRADE WITH HORIZONTAL FILLING

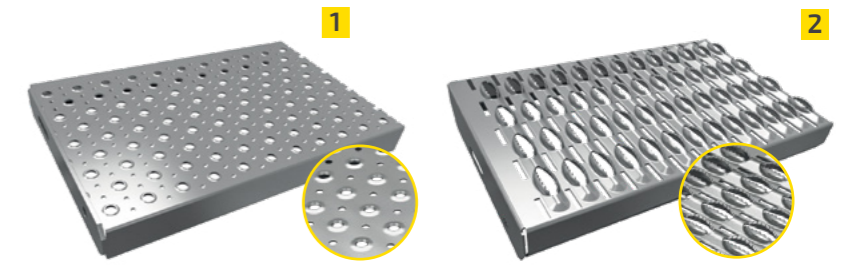
- Handgrip made of circular pipe  $\varnothing 48,3$
- Railposts made of square profile 50x50
- Filling of horizontal circular pipe  $\varnothing 25$



## 2. Steps types

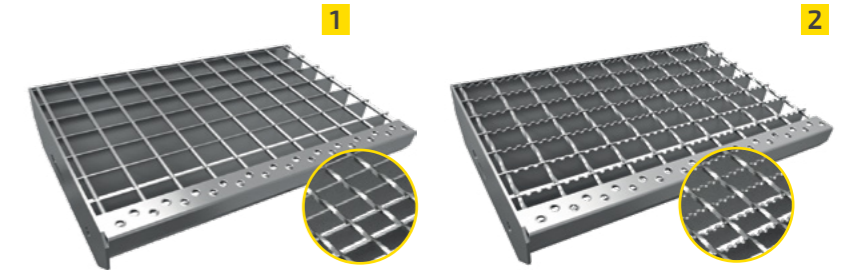
- PLANK GRATING
- SERRATED PLANK GRATING (TYPE USA)

- Hot dip galvanized



- WELDED GRATING
- SERRATED WELDED GRATING

- Mesh 34 x 38
- Hot dip galvanized



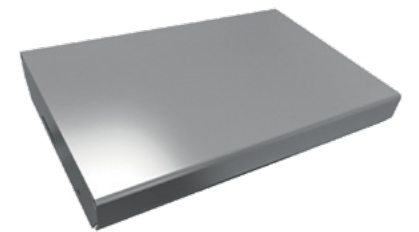
### CHECKER PLATE

- Hot dip galvanized



### STEEL PLATE

- Hot dip galvanized
- Powder painted

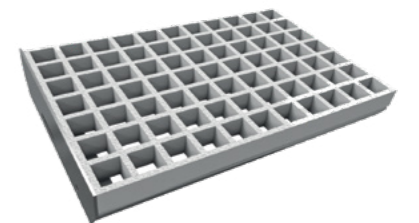


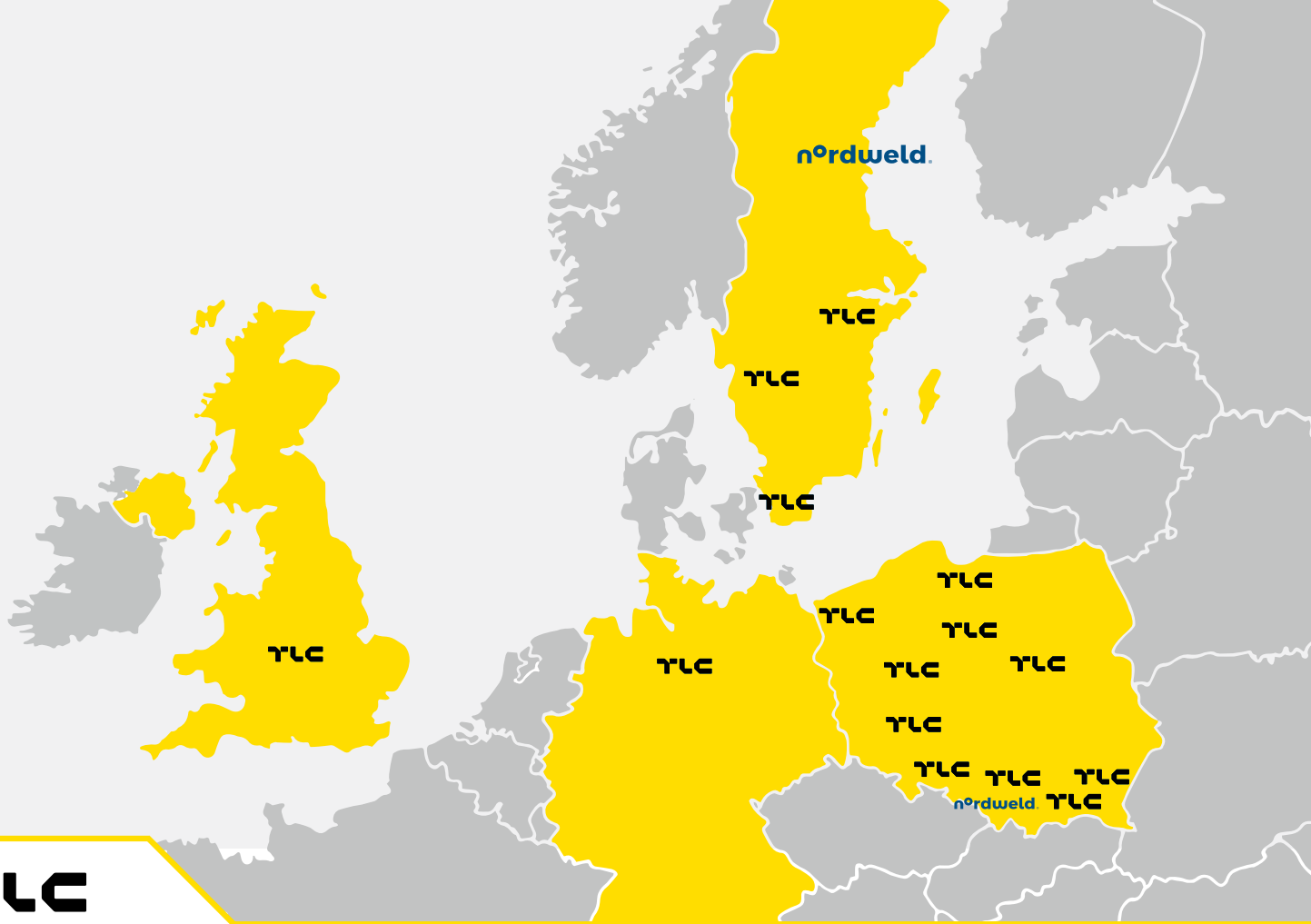
### TLC-GES TYPE PROFILED PLANK

- Hot dip galvanized



### TWS / GRP GRATING





**TLC**

**POLAND**

**SWEDEN**

**UNITED KINGDOM**

**GERMANY**

**TLC** Sp z o. o.

Inter **TLC** AB

Inter **TLC** Ltd

Inter **TLC** GmbH

+48 18 35 00 800  
 info@tlc.eu  
 tlc.eu

+46 70 525 99 18  
 info@intertlc.se  
 intertlc.se

+44 2033 690 080  
 info@intertlc.co.uk  
 intertlc.co.uk

+49 5147 709 00 72  
 info@intertlc.de  
 intertlc.de

**TLC** Rental

**n°rdweld. TBS**

+48 22 720 17 17  
 info@tlcrental.pl  
 tlcrental.pl

+46 73 818 34 44  
 info@nordweld.eu  
 nordweld.eu

**n°rdweld.** Sp z o. o.

+48 600 151 551  
 info@nordweld.eu  
 nordweld.eu

**TLC** - MANUFACTURER OF STAIRS AND STEEL PLATFORMS FOR BUILDING INDUSTRY

**TLC RENTAL** - MOBILE PROTECTION SYSTEMS FOR CONSTRUCTION SITES

**NORDWELD TBS** - INNOVATIVE TANK BUILDING SYSTEM