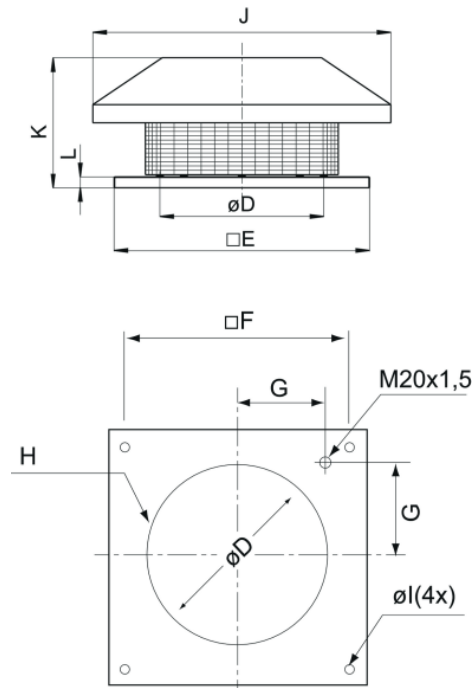




Technical parameters

| Nominal data | |
|---|------------------------------|
| Voltage (nominal) | 400 V |
| Frequency | 50 Hz |
| Phases | 3~ |
| Motor circuit connection | D; Y |
| Input power | 914 W |
| Input power kW | 0.914 kW |
| Input current | 2.344 A |
| Impeller speed | 924 rpm |
| Air flow | max 2.7644 m ³ /s |
| Temperature of transported air | max 60 °C |
| Max temperature of transported air, when speed controlled | 60 °C |
| Protection/Classification | |
| Enclosure class, motor | IP54 |
| Insulation class | F |
| Data according to ErP | |
| ErP ready | ErP 2018 |
| Dimensions and weights | |
| Weight | 60.5 kg |
| Others | |
| Motor type | AC |

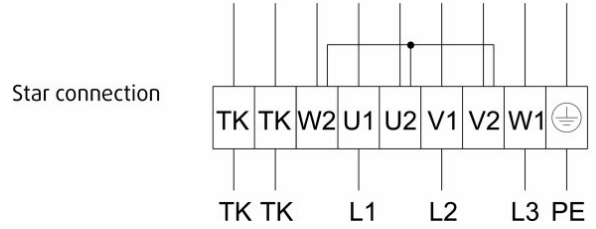
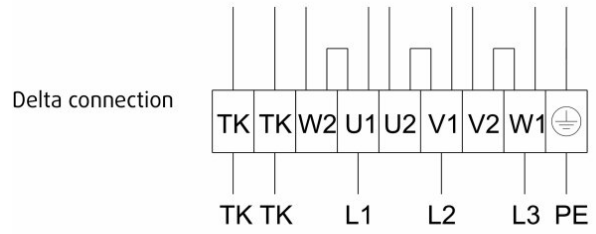
Dimension



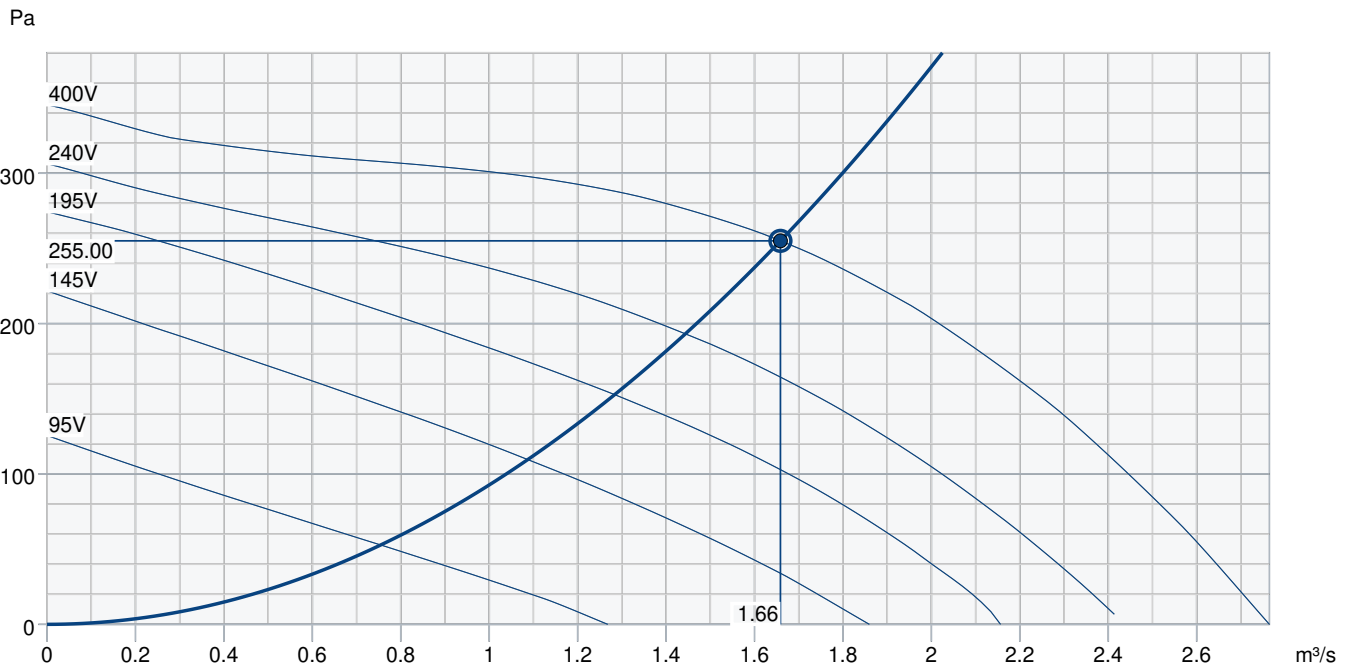
* diameter D refers to screw-hole-circuit
H

| DHS/DHS silco | øD | □E | □F | G | H | øl | J | K | L |
|---------------|-----|-----|-----|-----|------|----|-------|-----|----|
| 560-630 | 605 | 939 | 750 | 293 | 8xM8 | 14 | □1100 | 535 | 30 |

Wiring



Performance curve



Hydraulic data

| | |
|--------------------------|---------------|
| Required air flow | 1.66 m³/s |
| Required static pressure | 255 Pa |
| Working air flow | 1.66 m³/s |
| Working static pressure | 255 Pa |
| Air density | 1.204 kg/m³ |
| Power | 884.8 W |
| Fan control - RPM | 925 rpm |
| Current | 2.30 A |
| SFP | 0.533 kW/m³/s |
| Control voltage | 400.0 V |
| Supply voltage | 400 V |

| Sound power level | | 63 | 125 | 250 | 500 | 1k | 2k | 4k | 8k | Total |
|-------------------|-------|----|-----|-----|-----|----|----|----|----|-------|
| Inlet | dB(A) | 36 | 55 | 62 | 64 | 66 | 63 | 59 | 50 | 71 |
| Outlet | dB(A) | 38 | 56 | 63 | 66 | 67 | 65 | 61 | 51 | 72 |

Accessories

ASF 560/630 inlet flange DVS (9570)
ASS 560/630 flex. inl.con. DVS (9577)
Frequency converter FRQS-4A (36231)
REV-5POL/07-7,5kW R/Y (33980)
RTRD 3 Speed control IP54 (32594)
SSD 560/630 socket silencer (9564)
TDA DV 560/630 Adapter (304815)
HR1 Room Humidistat (215150)
Presence detector/IR24-P (6995)
SDS 560/630 slant. roof socket (3781)
FDS 560/630 flat roof socket (9552)
FTG 560/630 Tilting device (30509)
VKM 560/630 Back draft damper (9557)

ASK 560/630 inflow box SSD (300908)
Frequency converter FRQ5S-4A (36233)
Motor protect. switch S-DT 16E (161207)
REV-9POL/12-7,5kW R/Y (33981)
RTRDU 4 Speed contr. Systemair (5946)
Step switch S-DT2SKT, Y/D (2697)
DTV500A (96807)
MicroREX D21 Plus Time Switch (17822)
RT 0-30 Room Thermostat (5151)
SSS 560 slant. socket silencer (30079)
FDS-L 560/630 flat roof socket (95283)
TG 940-1200 Roof Curb (5090)
VKS 560/630 Back draft damper (9545)

Documents

MANUAL_ROOF_FANS_EN_002_.PDF
UKCA DECLARATION OF CONFORMITY_ROOF FANS_EN_002.PDF