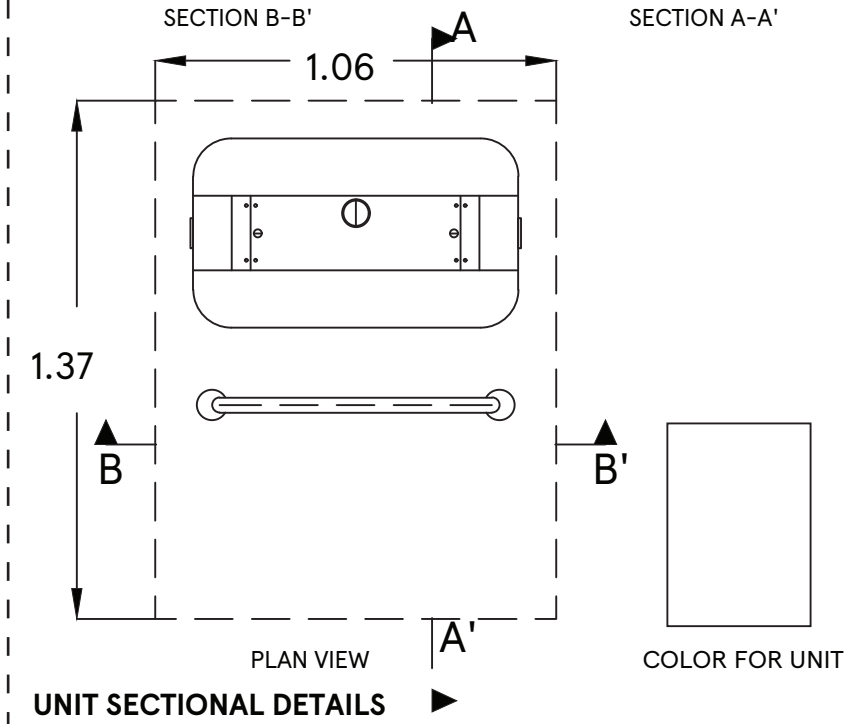
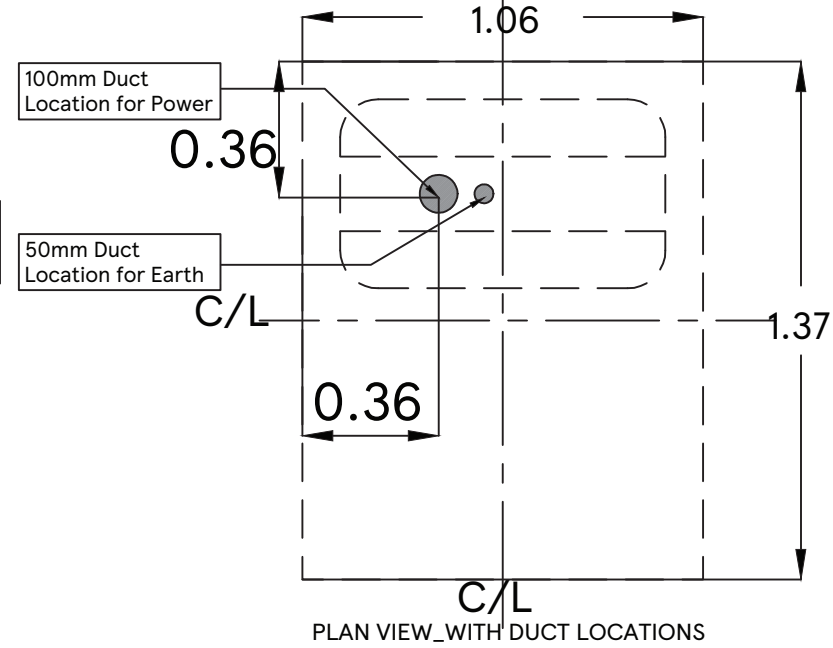
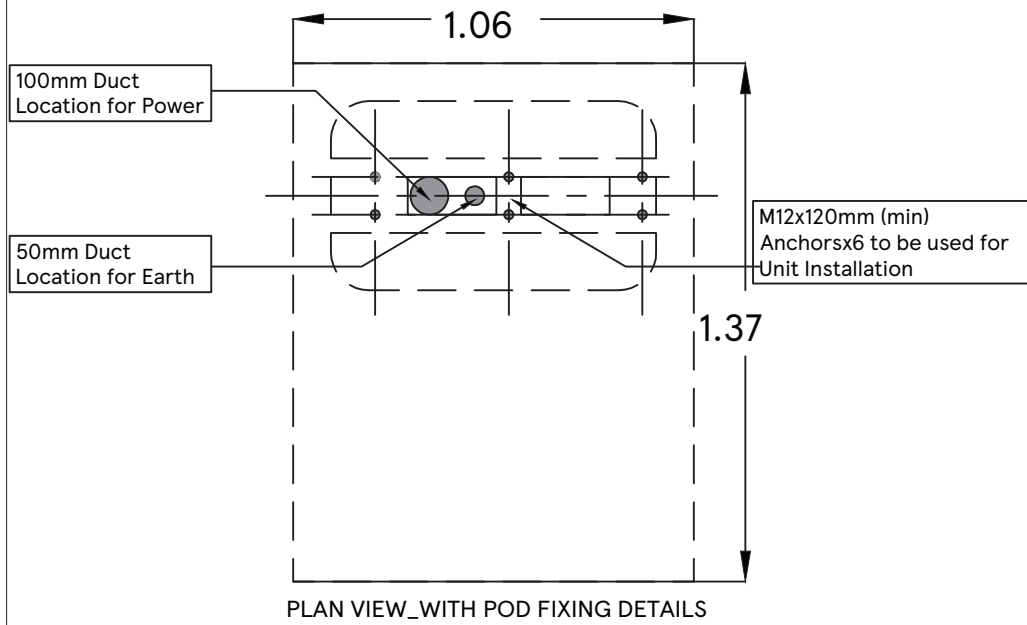
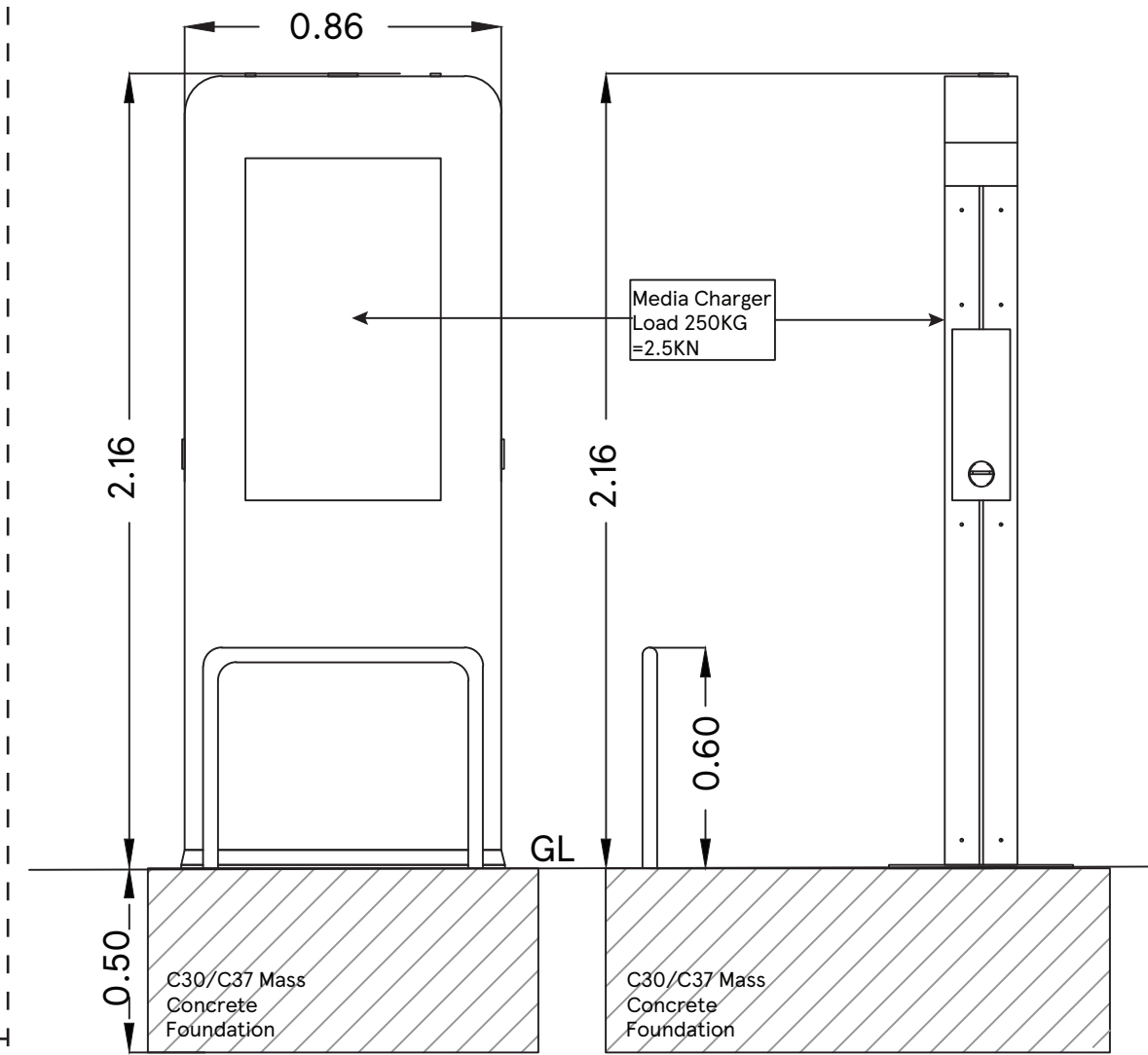
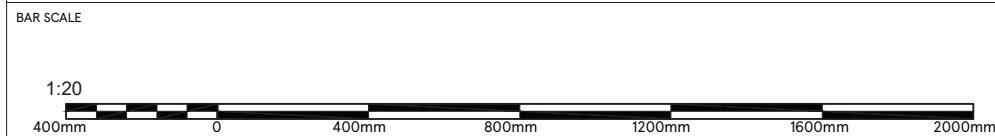


UNIT DETAILS



UNIT INSTALLATION & DUCTING DETAILS

NOTE: THE SCREEN (MEDIA CHARGER) WILL BE SWITCHED-OFF OVERNIGHT (i.e. 12.00AM to 6.00AM)



SCALE 1:20@A3 DATE 19.01.2021

CHECKED BY ANDY HORWOOD

DRAWN BY SHIKHA

DETAIL TYPE

TYPICAL DETAIL

DETAIL NAME

MEDIA CHARGER WITH SCREEN DETAILS



FEASIBILITY ARCHITECTURE
TESCO STORES LIMITED EXPRESS GROUP
OMEGA BUILDING, KESTREL WAY, HERTFORDSHIRE,
WELWYN GARDEN CITY, HERTFORDSHIRE, AL7 1GA
TELEPHONE : 01707 395150

THE COPYRIGHT AND ALL OTHER RIGHTS IN AND RELATING TO THIS PUBLICATION BELONG TO AND ARE THE SOLE PROPERTY OF TESCO STORES LIMITED. ALL RIGHTS ARE RESERVED. NEITHER THE WHOLE NOR ANY PART OF THIS PUBLICATION MAY BE REPRODUCED OR TRANSMITTED IN ANY FORM OR BY ANY ELECTRONIC OR MECHANICAL MEANS INCLUDING PHOTOCOPYING AND RECORDING OR FROM ANY RETRIEVAL SYSTEM WITHOUT THE PRIOR WRITTEN LICENCE FROM THE OWNER © 1997 TESCO STORES LIMITED