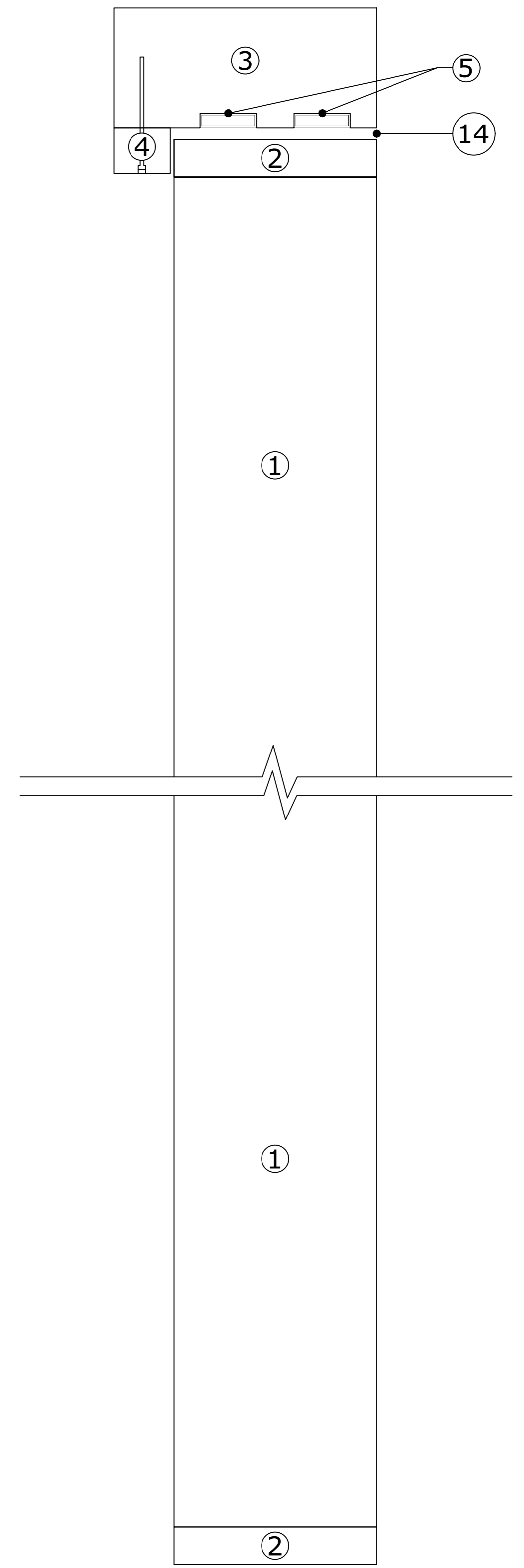
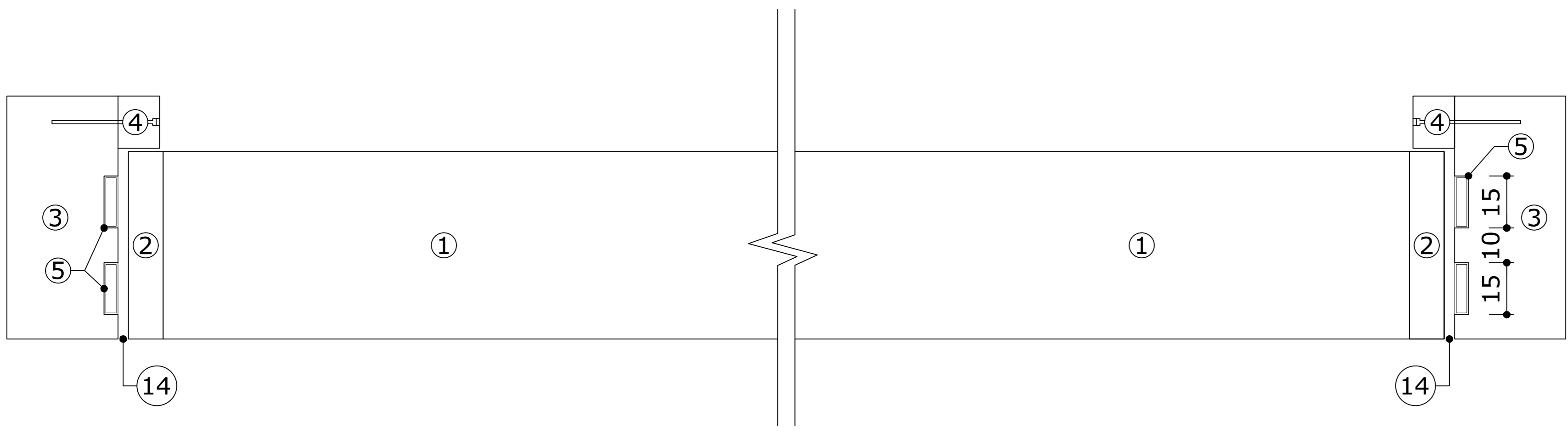


1 Elevation
Scale: 1:5 @ A1



2 Typical Section Through
Scale: 1:5 @ A1



3 Typical Sectional Plan
Scale: 1:5 @ A1

A 16-01-23 Item 15 omitted

INFORMATION

T. MANNERS & SONS LTD
SPECIALIST JOINERY DIVISION

Peel House,
Dovecote Hill,
South Church Ind. Est.,
Bishop Auckland,
Co. Durham,
DL14 6XW
Tel: 01388 774 030 Fax: 01388 774 044
Email: building@tmanners.co.uk

Client
Standard Fire Door Details

Project
Typical Doorset Details to FD60 Flush

Drawing Title
Elevation, Plan & Section

Date: 12-04-21 Scale: 1:5 & 1:1 @ A1

Clients Dwg No.

Dwg No. JF000_02 Rev. A

1. 54mm FLAMEBREAK DOOR OR DOOR BLANK MANUFACTURED UNDER Q MARK SCHEME.
2. 10mm SAPELE LIPPINGS BONDED WITH PU GLUE.
3. SAPELE FRAME MINIMUM SECTION 70x32mm, MINIMUM DENSITY 640KG/M³.
4. SAPELE DOOR STOPS MINIMUM 12mm THICK.
5. 2no. PYROPLEX 15x4mm RIGID BOX INTUMESCENT SEALS TO BS 476 PT.22, 2no. SET 10mm APART.
6. -
7. -
8. -
9. -
10. HINGES TO BS 1935 INTUMESCENT PAPER BEHIND.
11. LOCKS & LATCHES TO BS EN 12209 INTUMESCENT PAPER LINING.
12. SELF CLOSING DEVICES TO BS EN 1154.
13. -
14. CLEARANCE GAPS TO 2-4mm.
15. -
16. USE CORRECT COLOUR PLUG INLINE WITH PLUG DATA SHEETS.