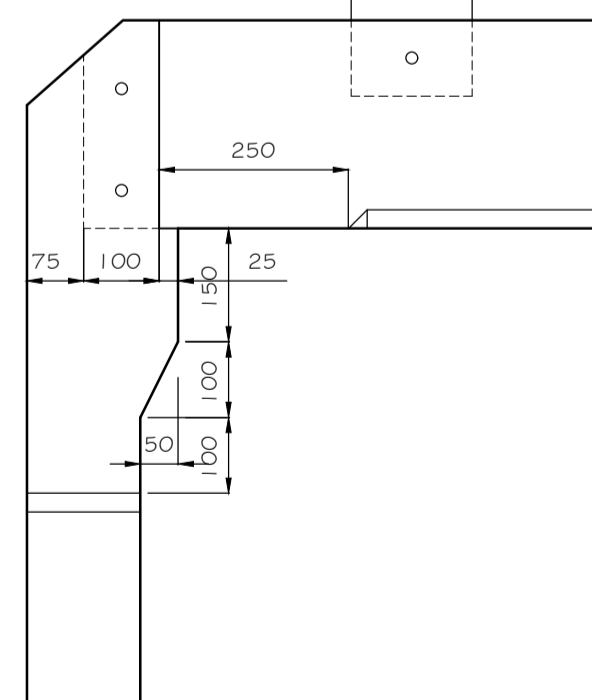
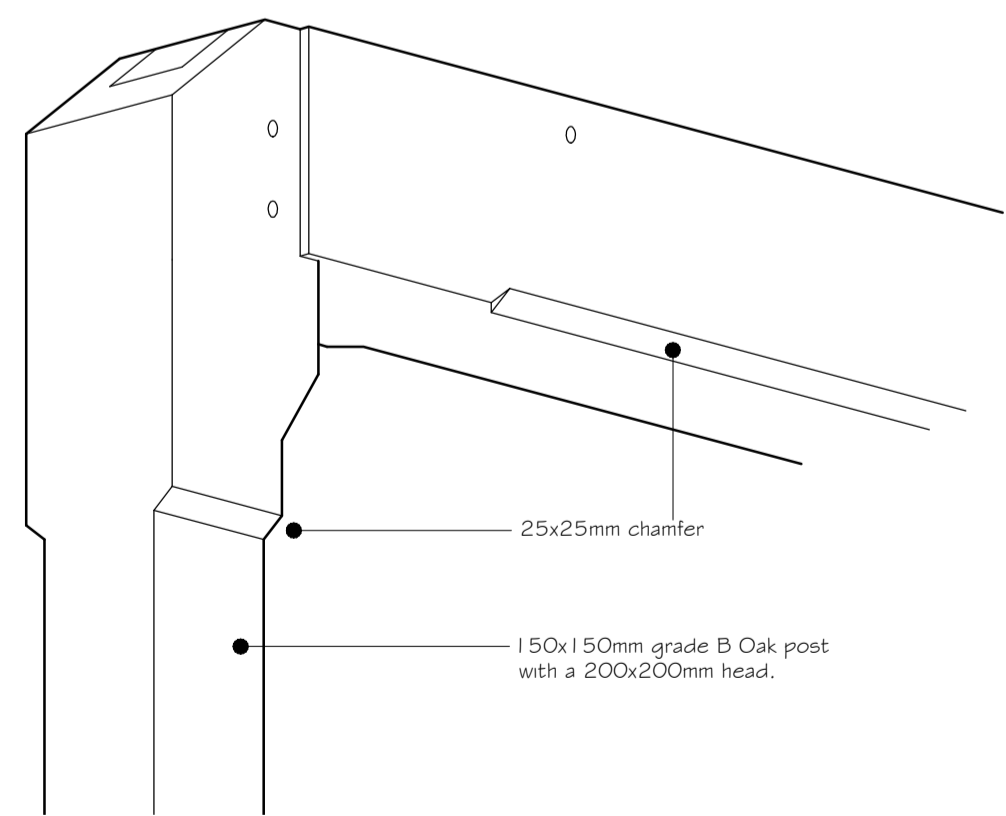
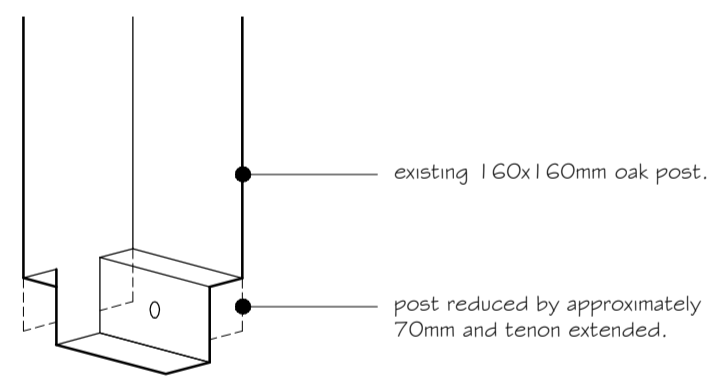
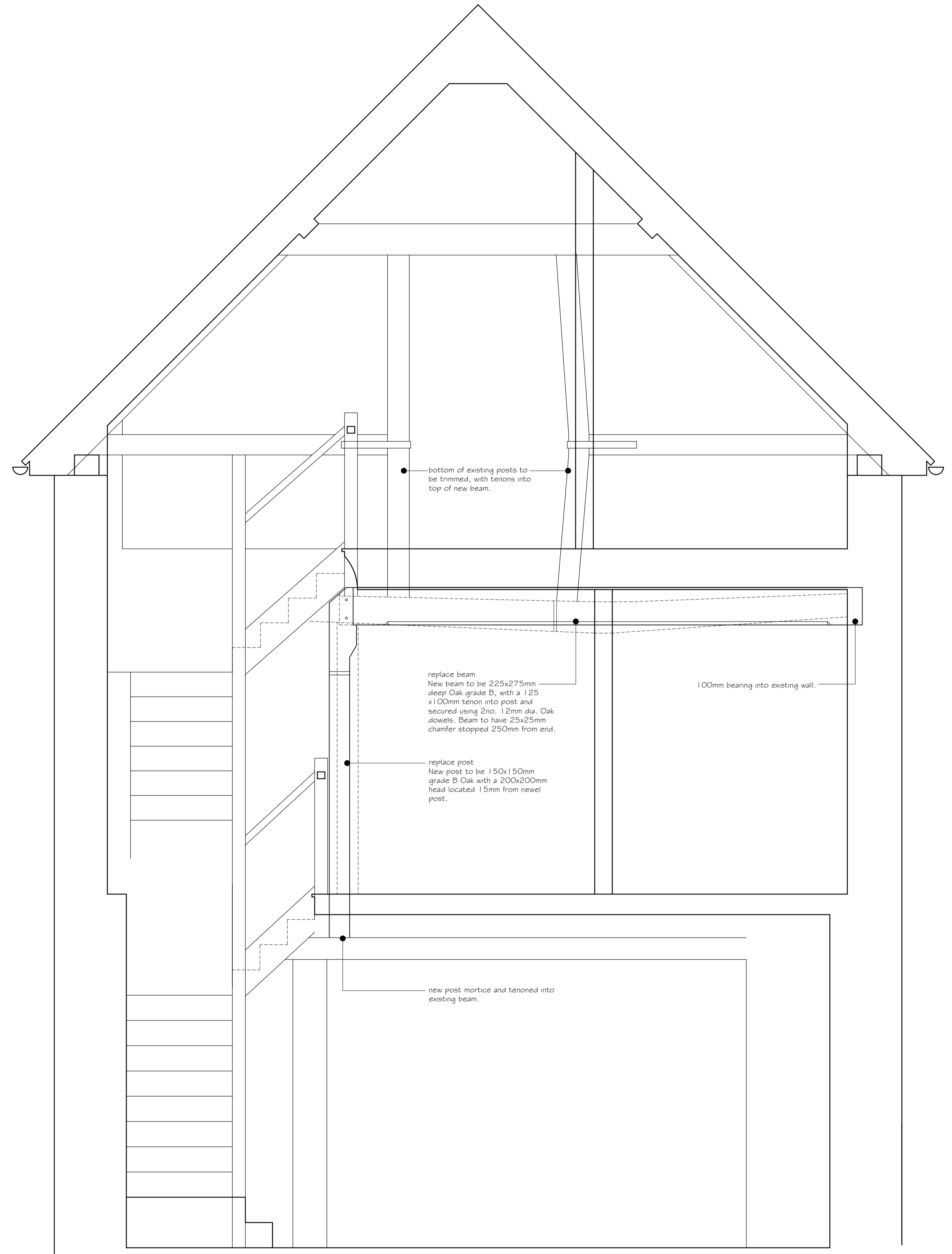
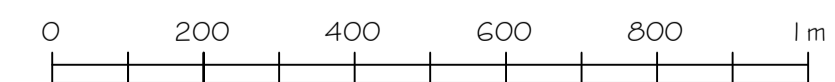


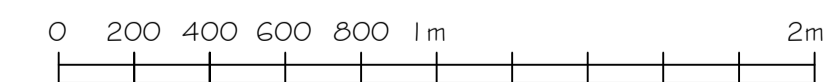
PROPOSED FIRST FLOOR  
SCALE 1:20 @A1



DETAIL OF POST AND BEAM  
SCALE 1:10 @A1



PROPOSED SECTION  
SCALE 1:20 @A1



BRICK HOUSE  
EVERSLEY

Date : November 2023

DRAWING NO. P.3

REV. -