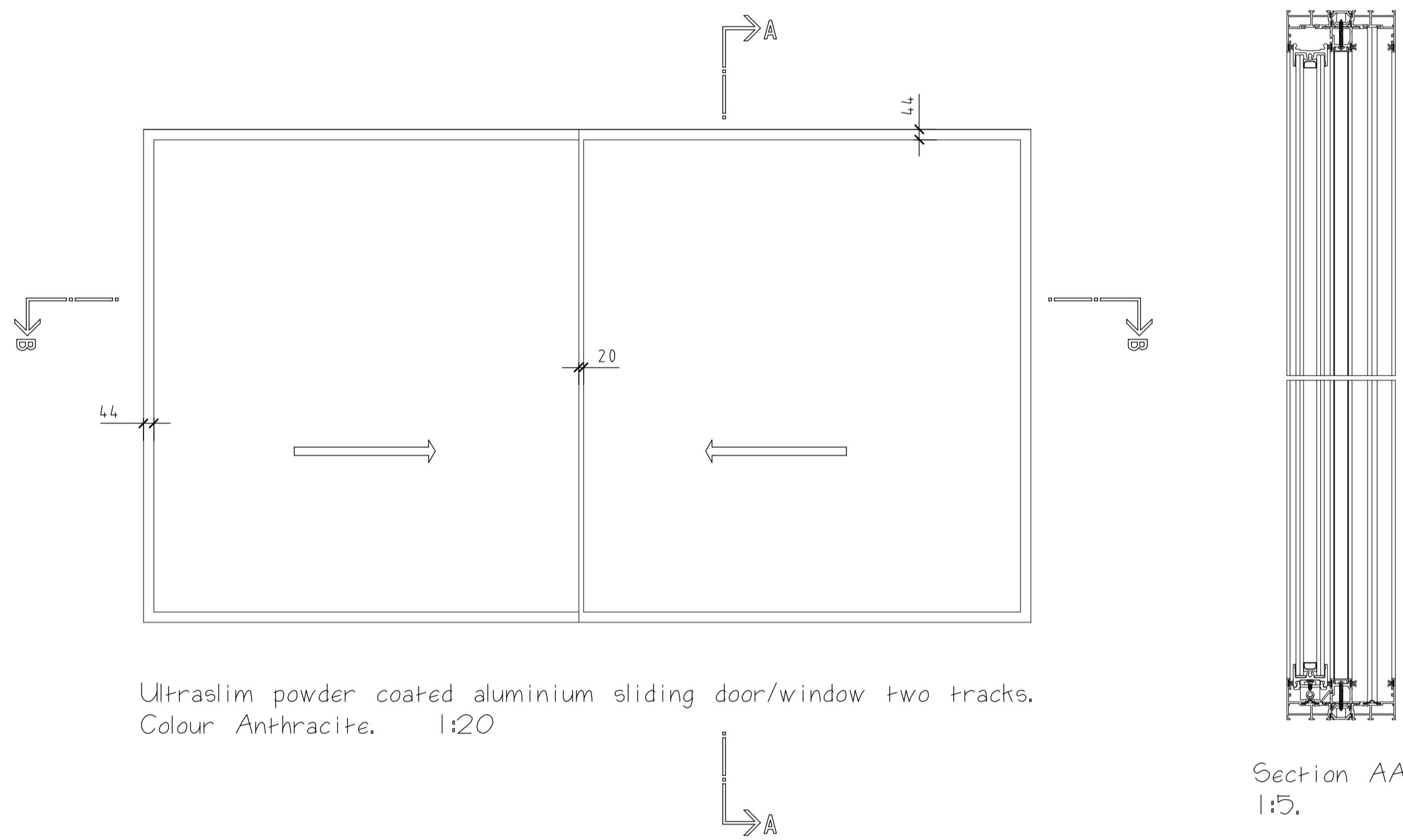


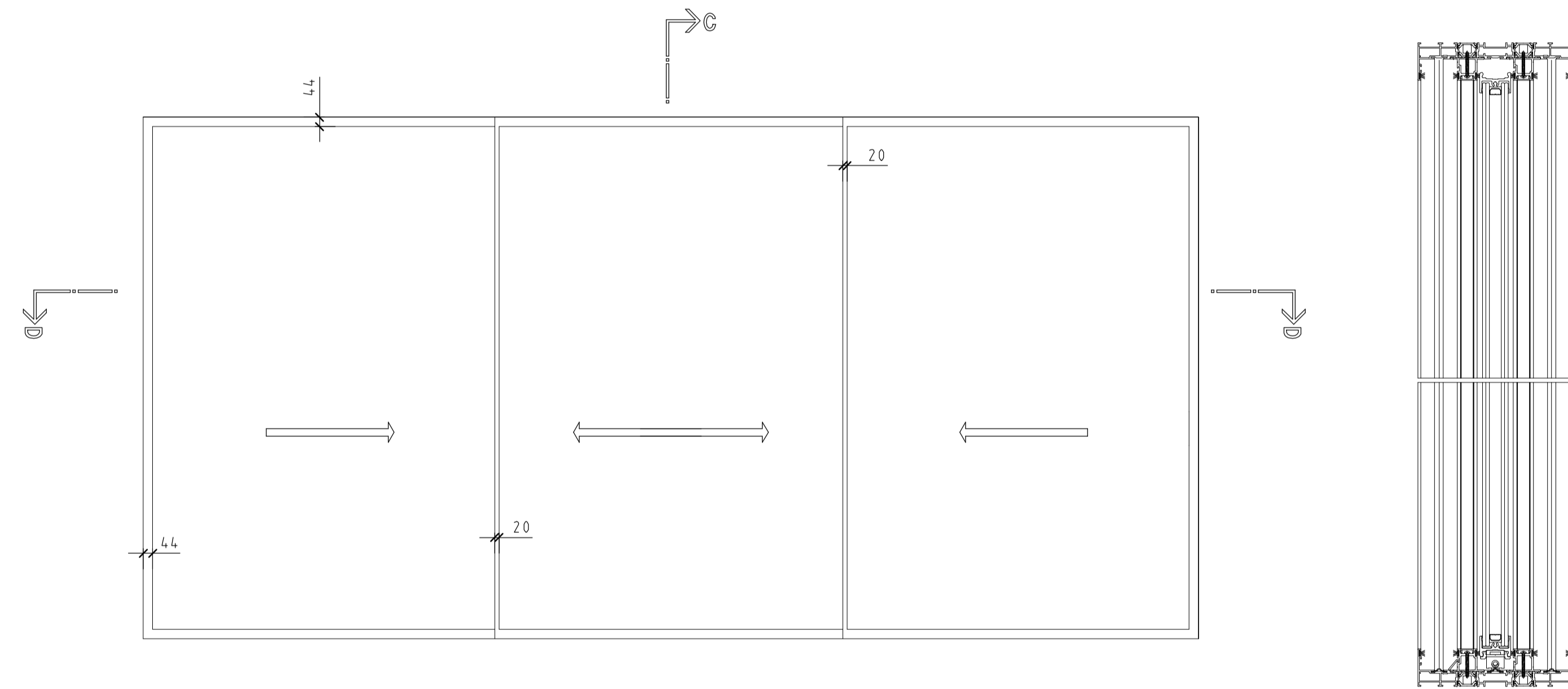


south elevation.



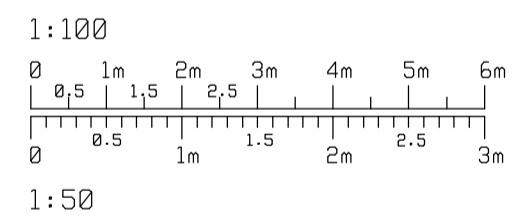
Ultraslim powder coated aluminium sliding door/window two tracks.
Colour Anthracite. 1:20

Section AA
1:5.

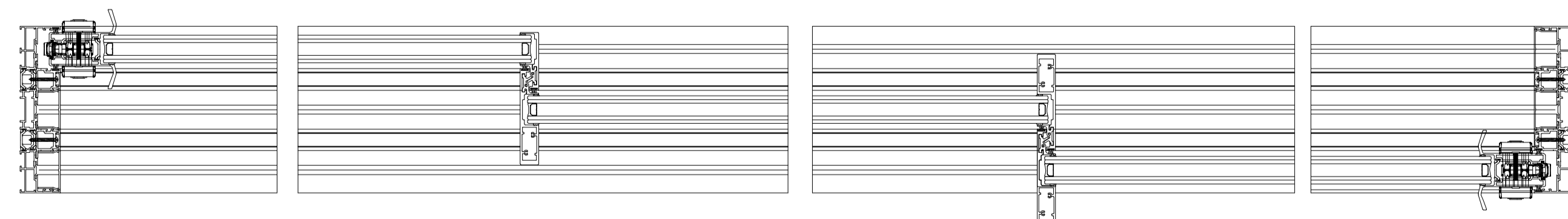


Ultraslim powder coated aluminium sliding door/window three tracks.
Colour Anthracite. 1:20

Section CC
1:5.



Section BB
1:5.



Section DD
1:5.

Proposed Extension.
Door, Window Details.

5 Robins Lane,
Bramhall.

G.D.A Design Associates Ltd.

**4 Oakleigh Court
Congleton,
Cheshire
CW12 4NP
TEL: 01260 273331**

Date.	SEPT 23	Scale.	1:100 1:
Drawn.	DA	Dr. No.	19/71/06

Note.
All dimensions must be checked on site.
Drawing size A1.