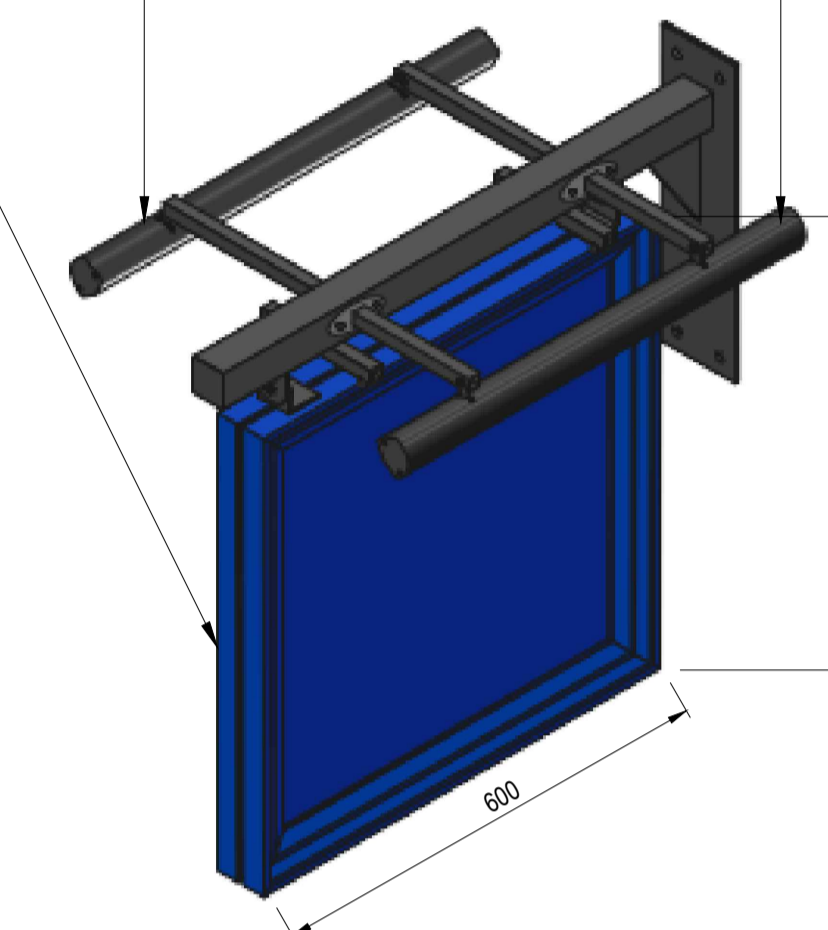


NOTES
Do not scale this drawing unless for planning purposes

Existing stonework fascia to be Dulux Weathershield to match RAL 5013 Cobalt Blue - Matt finish. Surface mount fret cut opal (white) acrylic letters "Boots script & Opticians" text stood off of the stone fascia - illuminated backlit LED.

1 No new 600mm x 600mm hanging powder coated aluminium RAL 5013 Cobalt Blue timber effect heritage look projecting sign with decorative cornice detail to perimeter, white vinyl applied "Boots" script & "Opticians" text to each side. Hung from black metal powdercoated heritage style bracket. Provide external illumination via LED trough clamped to projecting sign arm to each side. Cables to be fed through an internal wall to a light trough. Illumination level not to exceed 300 Candelas.

Projecting sign with LED trough clamped to projecting sign arm to each side.
Note: Illumination level not to exceed 300 Candelas.



Proposed Projecting Sign
scale @1:10



Proposed Front Elevation scale @1:20

Manifestation Ø50mm frosted vinyl dots at 175mm centres applied to internal face of glazing.

1 no "55" static double sided lightbox totem display located internally within the store.

2 no A4 vinyls applied to internal face of glazing colour clear with dark blue text stating opening hours and help available

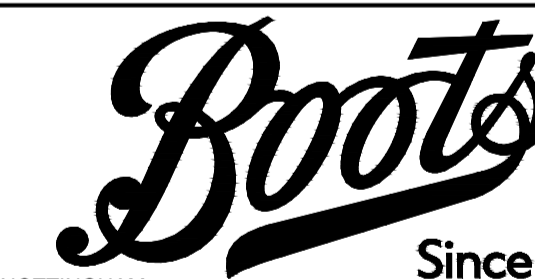
DDA 'Touch here for Assistance' cordless door bell mounted to internal face of glass.

Proposed Section of Shopfront
scale @1:20

Fascia signage sizes TBC on site by Signage Contractor prior to manufacture

Rev A Shopfront section scale at 1:20 and proposed projecting sign scale at 1:10 added.
Date 12.04.24 Drawn: MC Chk: KC

PLANNING



NOTTINGHAM
NG90 1BS



Project Name
Store 3346
8-10 Coney Street
York YO1 9NA
Drawing Title
Proposed
Front Elevation & Projecting Sign

Dept.
Drawn MC Approved KC
Scale 1:20 & 1:10 @A1 Date 27.03.24

Drg No. 3346 / C276972 / 121 Rev. A

