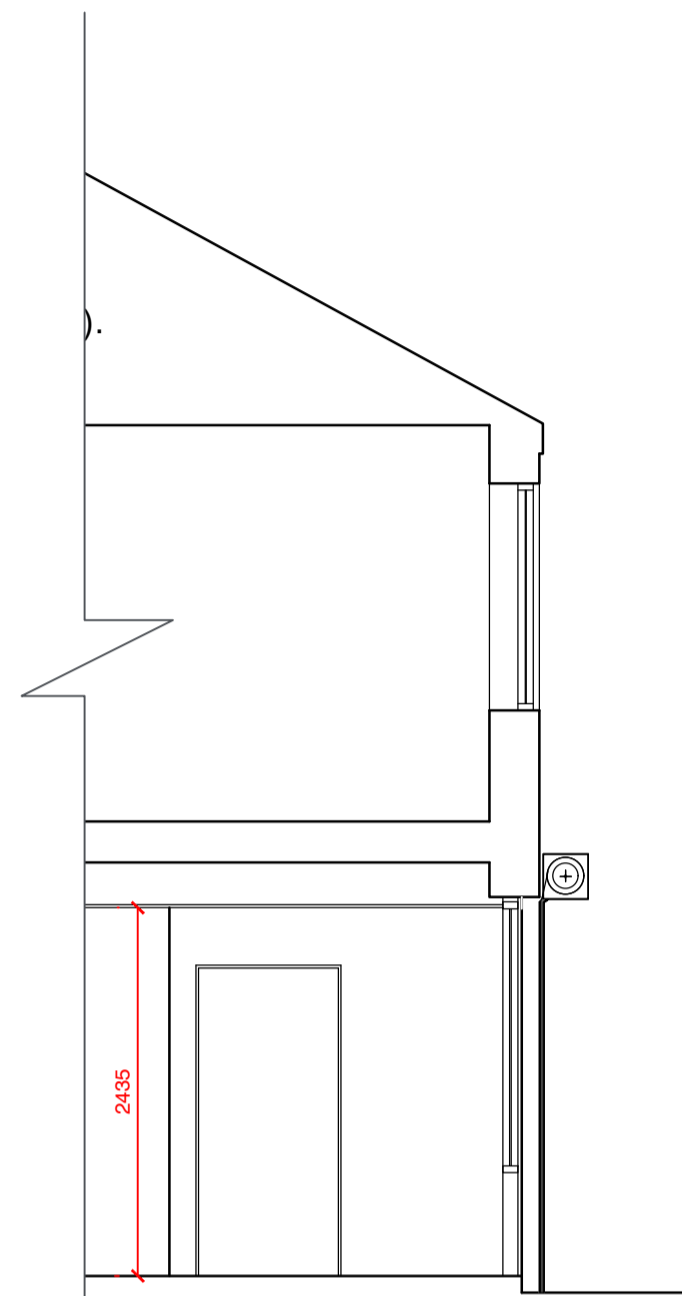
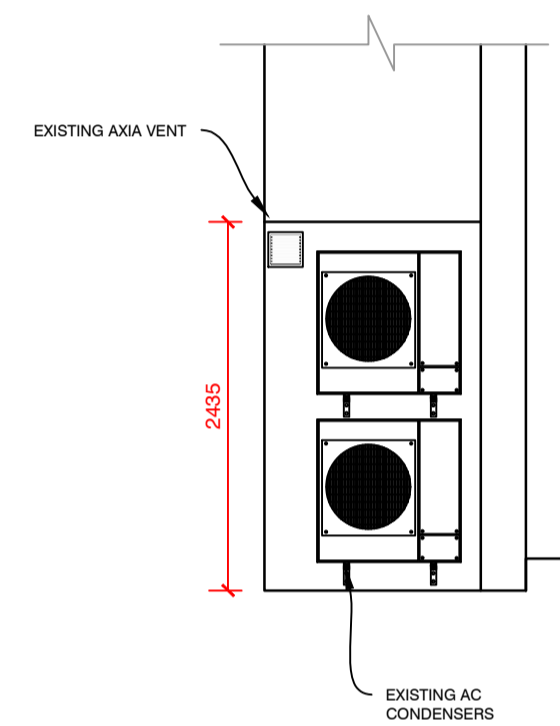


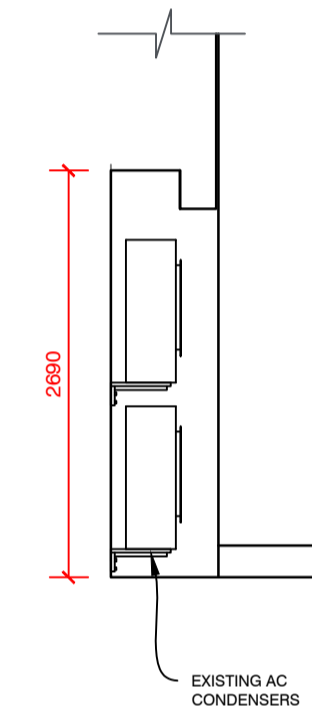
EXISTING SHOPFRONT ELEVATION A-A (1:50)



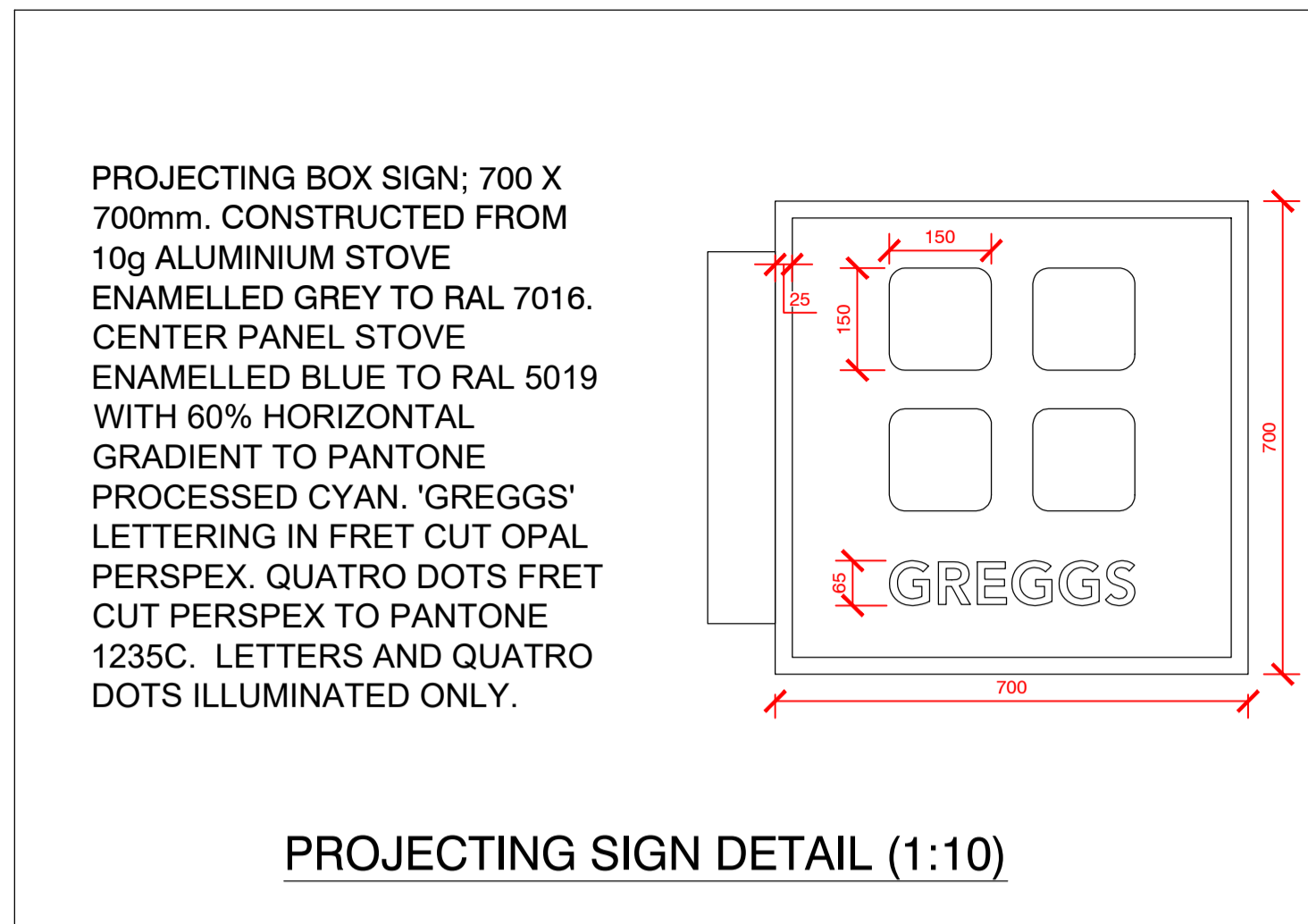
EXISTING SECTION D-D (1:50)



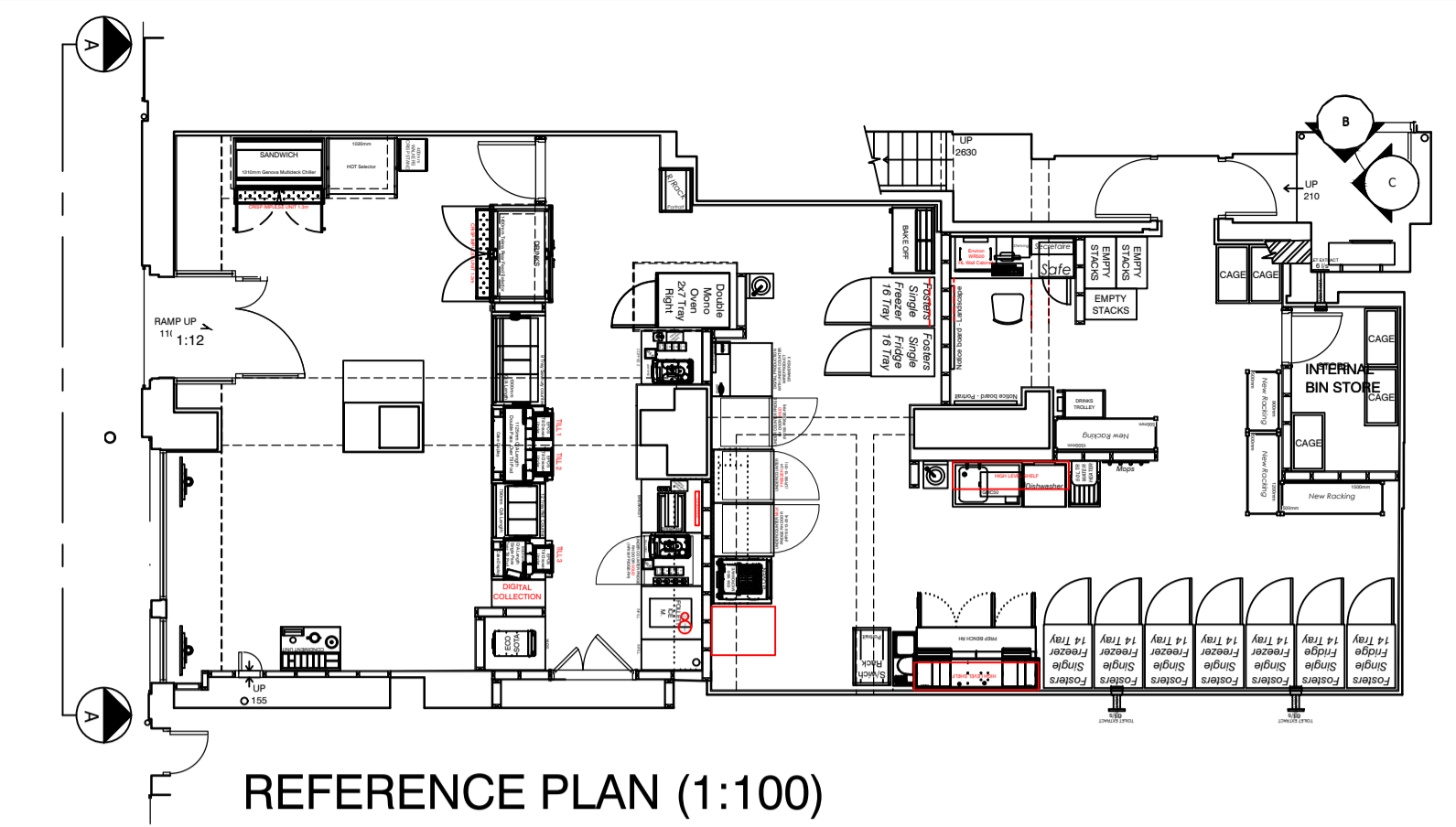
EXISTING ELEVATION B (1:50)



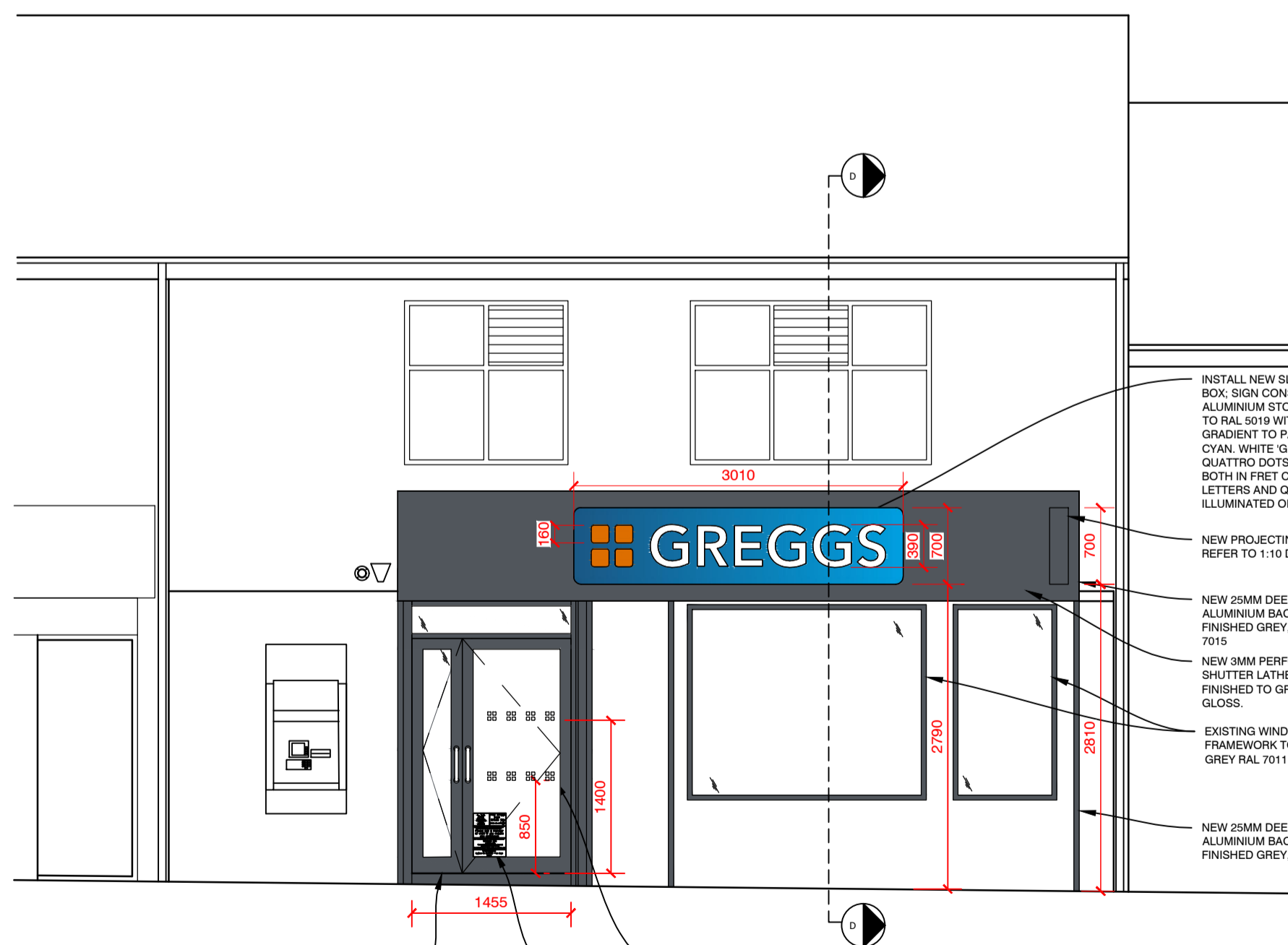
EXISTING ELEVATION C (1:50)



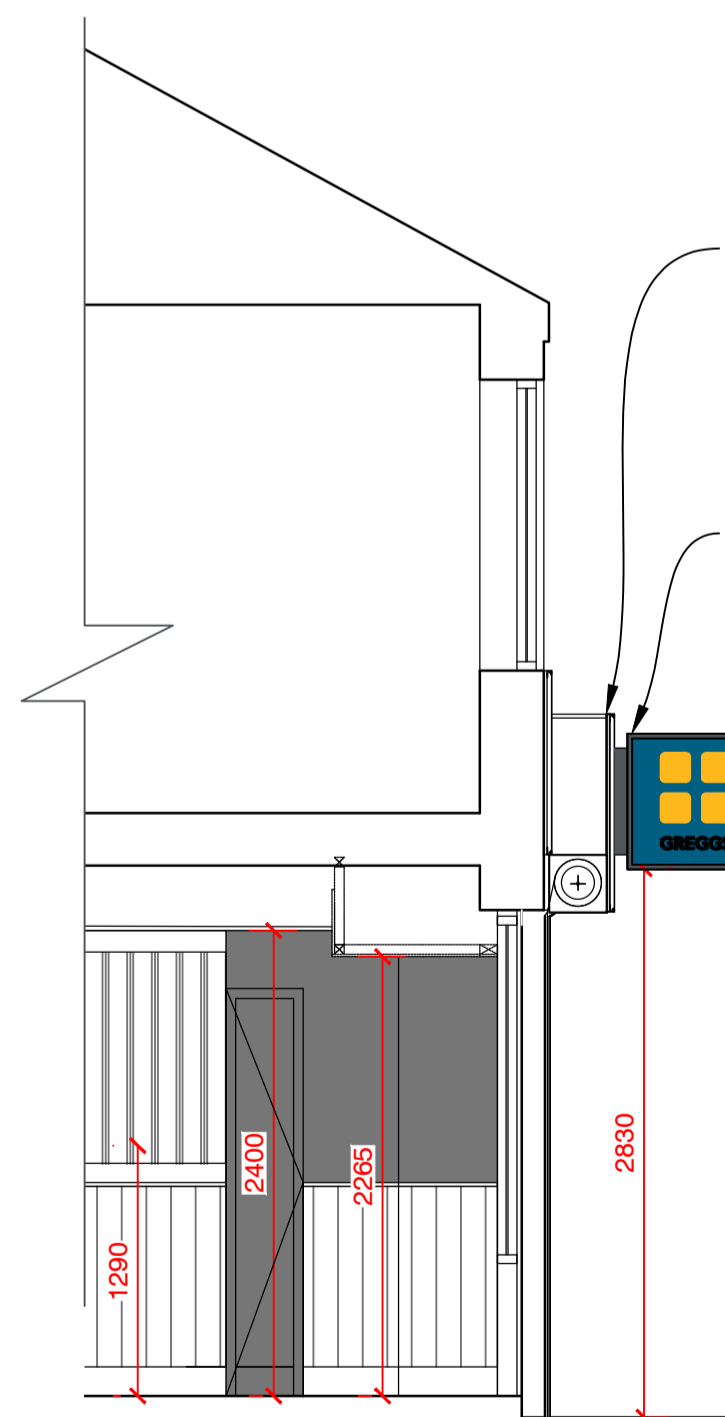
PROJECTING SIGN DETAIL (1:10)



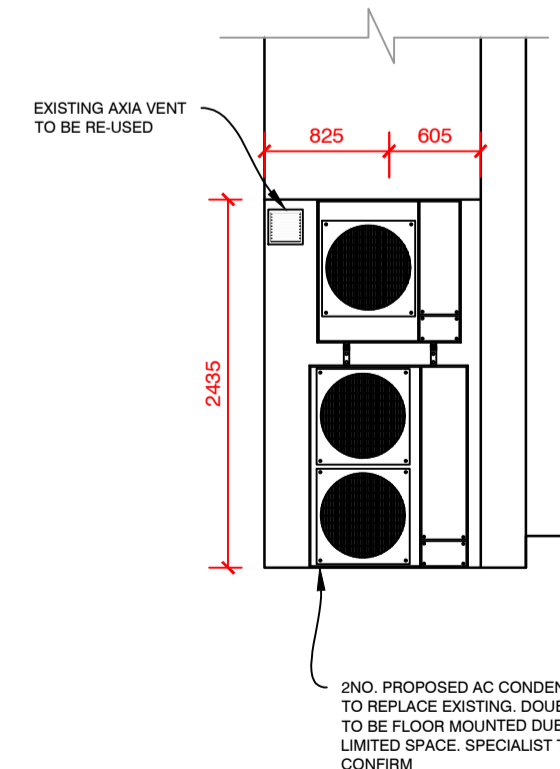
REFERENCE PLAN (1:100)



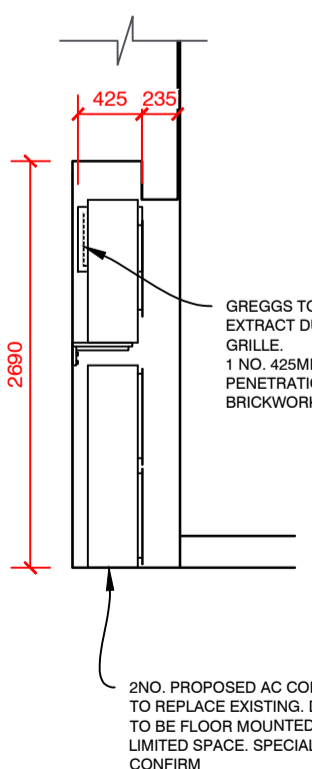
PROPOSED SHOPFRONT ELEVATION A-A (1:50)



PROPOSED SECTION D-D (1:50)



PROPOSED ELEVATION B (1:50)



PROPOSED ELEVATION C (1:50)

INSTALL NEW SLIMLINE BADGE SIGN. BOX SIGN CONSTRUCTED FROM 10G ALUMINIUM STOVE ENAMELLED BLUE TO RAL 5019 WITH 60% HORIZONTAL GRADIENT TO PANTONE PROCESSED CYAN. WHITE 'GREGGS' LETTERING, QUATTRO DOTS TO PANTONE 1235C BOTH IN FRET CUT OPAL PERSPEX. LETTERS AND QUATTRO DOTS ILLUMINATED ONLY.

NEW PROJECTING SIGN. REFER TO 1:10 DETAIL.

NEW 25MM DEEP FOLDED ALUMINIUM BACK PANELS FINISHED GREY, REF. RAL 7015.

NEW 3MM PERFORATED SHUTTER. SHUTTER LATHES AND GUIDES FINISHED TO GREY RAL 7011 60% GLOSS.

EXISTING WINDOWS RETAINED AND FRAMEWORK TO BE RE-SPRAYED GREY RAL 7011 60% GLOSS.

NEW 25MM DEEP FOLDED ALUMINIUM BACK PANELS FINISHED GREY, REF. RAL 7015.

INSTALL NEW SLIMLINE BADGE SIGN. BOX SIGN CONSTRUCTED FROM 10G ALUMINIUM STOVE ENAMELLED BLUE TO RAL 5019 WITH 60% HORIZONTAL GRADIENT TO PANTONE PROCESSED CYAN. WHITE 'GREGGS' LETTERING, QUATTRO DOTS TO PANTONE 1235C BOTH IN FRET CUT OPAL PERSPEX. LETTERS AND QUATTRO DOTS ILLUMINATED ONLY.

NEW PROJECTING SIGN. REFER TO 1:10 DETAIL.

EXISTING AXIA VENT TO BE RE-USED.

2x NO. PROPOSED AC CONDENSERS TO REPLACE EXISTING DOUBLE UNIT TO BE FLOOR MOUNTED DUE TO LIMITED SPACE. SPECIALIST TO CONFIRM.

GREGGS TO INSTALL OVEN EXTRACT DUCTWORK & GRILLE. 1 NO. 425MM X 425MM PENETRATION THROUGH BRICKWORK.

2x NO. PROPOSED AC CONDENSERS TO REPLACE EXISTING DOUBLE UNIT TO BE FLOOR MOUNTED DUE TO LIMITED SPACE. SPECIALIST TO CONFIRM.

NEW FLUSH GLAZED ALUMINIUM SHOPFRONT WITH MANUAL DDA COMPLIANT ONE LEAF TO PROVIDE CLEAR 1m OPENING. SELF CLOSING DOORS WITH HOLD AT 90 DEGREES. BULB SAFETY STYLE HINGES. 2 NO. EUROSTYLE LOCKS AND STAINLESS D-HANDLES. SHOPFRONT AND DOORS TO BE FINISHED SIGNAL GREY, REF. RAL 7011 60% GLOSS. ALL GLAZING WORKS TO BE IN ACCORDANCE.

PROPOSED DDA SIGN

NEW WINDOW MANIFESTATIONS

REV	DESCRIPTION	DATE	NAME
GREGGS Plc (PENNINES) 31 GREENSIDE STREET OPENSRAW MANCHESTER M11 2HW Tel: (0161) 274 2760			
Shop S Number & Name S6337 ST HELENS 99 - 101 HIGHER PARR ST			
Title ADVERTS - ELEVATIONS & SECTIONS			
Site Address 99 - 101 HIGHER PARR ST ST HELENS WA9 1AG			
Gross Building Area 169 Sq m		Gross Sales Area 35 Sq m	
Drawing No. RPN/S6337/01A			Rev. -
Date 22.02.24		Scale VARIES @ A1	
Drawn by HE		Scale Bar 0 500 1000 1500 2000 2500mm	
Issued 27.02.24		SCALE 1:50	

DO NOT RESCALE THIS DRAWING