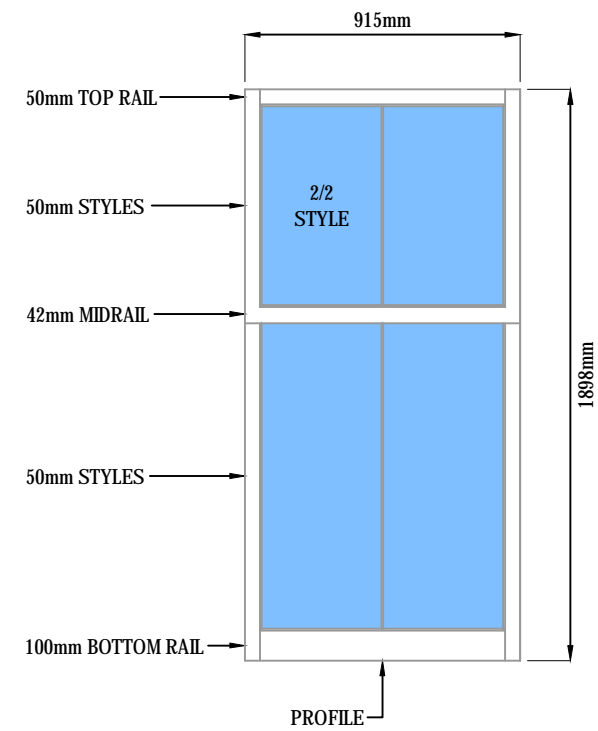
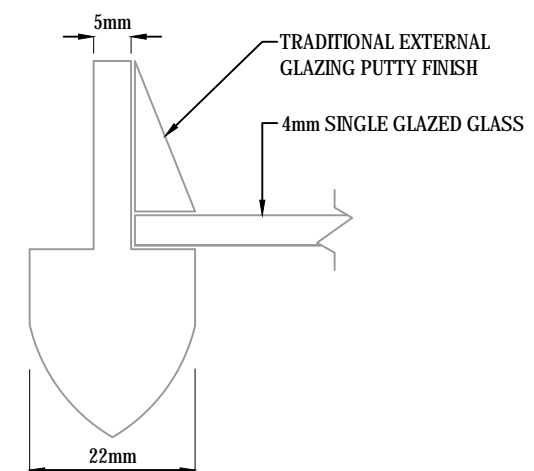


EXISTING CROSS SECTION



EXISTING ELEVATION (1:25)



EXISTING ASTRAGAL CROSS SECTION (1:1)

WINDOW No.3 - SIDE ELEVATION

PLANNING ISSUE	
Client:	
Steven Duncan - Phase 2 27/3 South Oswald Road Edinburgh, EH9 2HH	
Title:	
Double Glazed Upgrade W3 Kitchen Existing Elevation / Sections	
Scale:	Date:
As Noted	April '24
Drawing No.	
HERM/27/3SOR/W3/K/E	