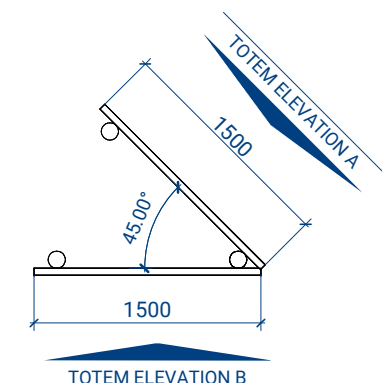


**TOTEM ELEVATION B**  
SCALE 1 : 50

**TOTEM ELEVATION A**  
SCALE 1 : 50

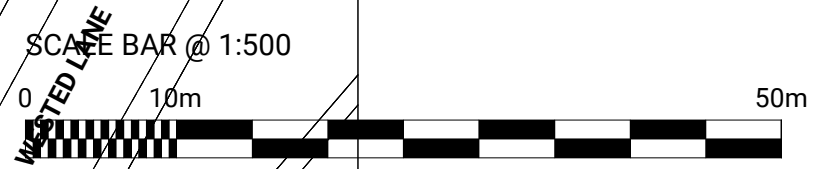
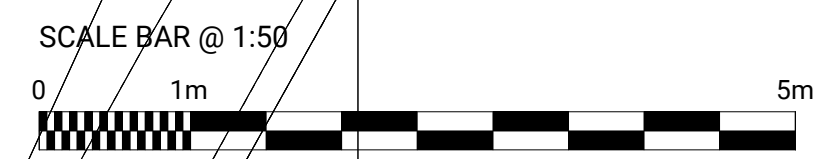


**PROPOSED TOTEM PLAN**  
SCALE 1 : 50

PROPOSED LOCATION OF NEW TIMBER TOTEM SIGN

REVISIONS	DATE	INIT
R1	11.04.24	TM
UPDATED TO PLANNERS COMMENTS		

<b>ISSUED FOR PLANNING</b>			
DRAWING PROJECT UNIT 5, MARK WAY, SWANLEY, BR8 8NJ			
DRAWING TITLE PLANNING PROPOSED TOTEM			
CLIENT			
DRAWN BY TM	CHECKED BY SC	SCALE As indicated@A3	DATE 25.02.2024
DRAWING NUMBER 6250-SF_SWANLEY-RIL-00-XX-DR+0018-TOTEM-P3-R1			



**PROPOSED TOTEM - PLAN VIEW**  
SCALE 1 : 500

Company Registration No. 3678945, VAT Registration No. 723652246. Registered in England & Wales. Copyright of this drawing is reserved by Resolution Intertions. The drawing is issued on the condition that it is not copied, reproduced or disclosed to a third party without consent.  
 Luffen 2009 Business Park, Yeovil, Somerset, BA22 8QR  
 Call +44 1935 422700  
 Fax +44 1935 422714  
 Email - design@resolutionintertions.com  
 Website - www.resolutionintertions.com