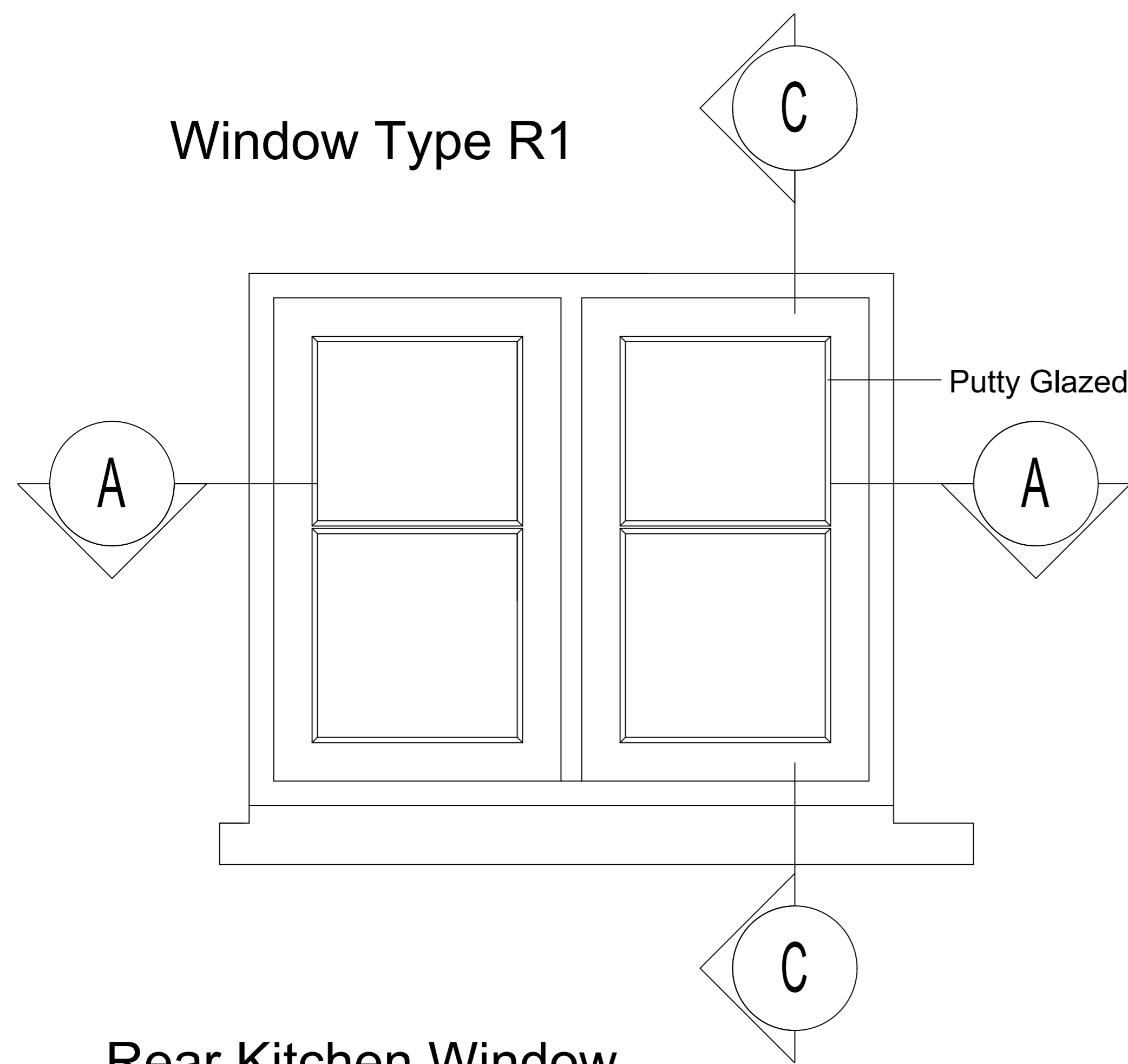
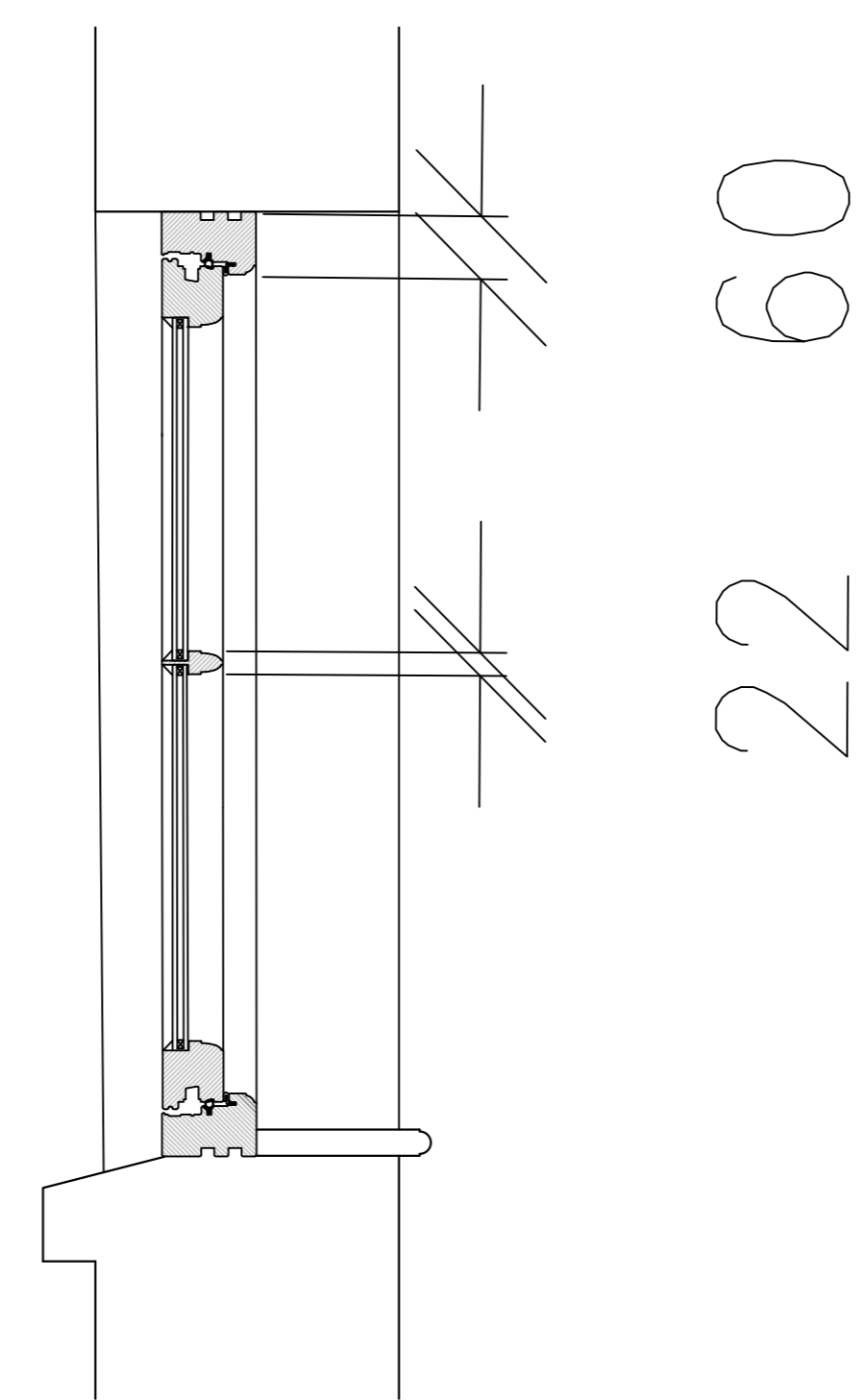


Ground Floor Rear Kitchen Windows

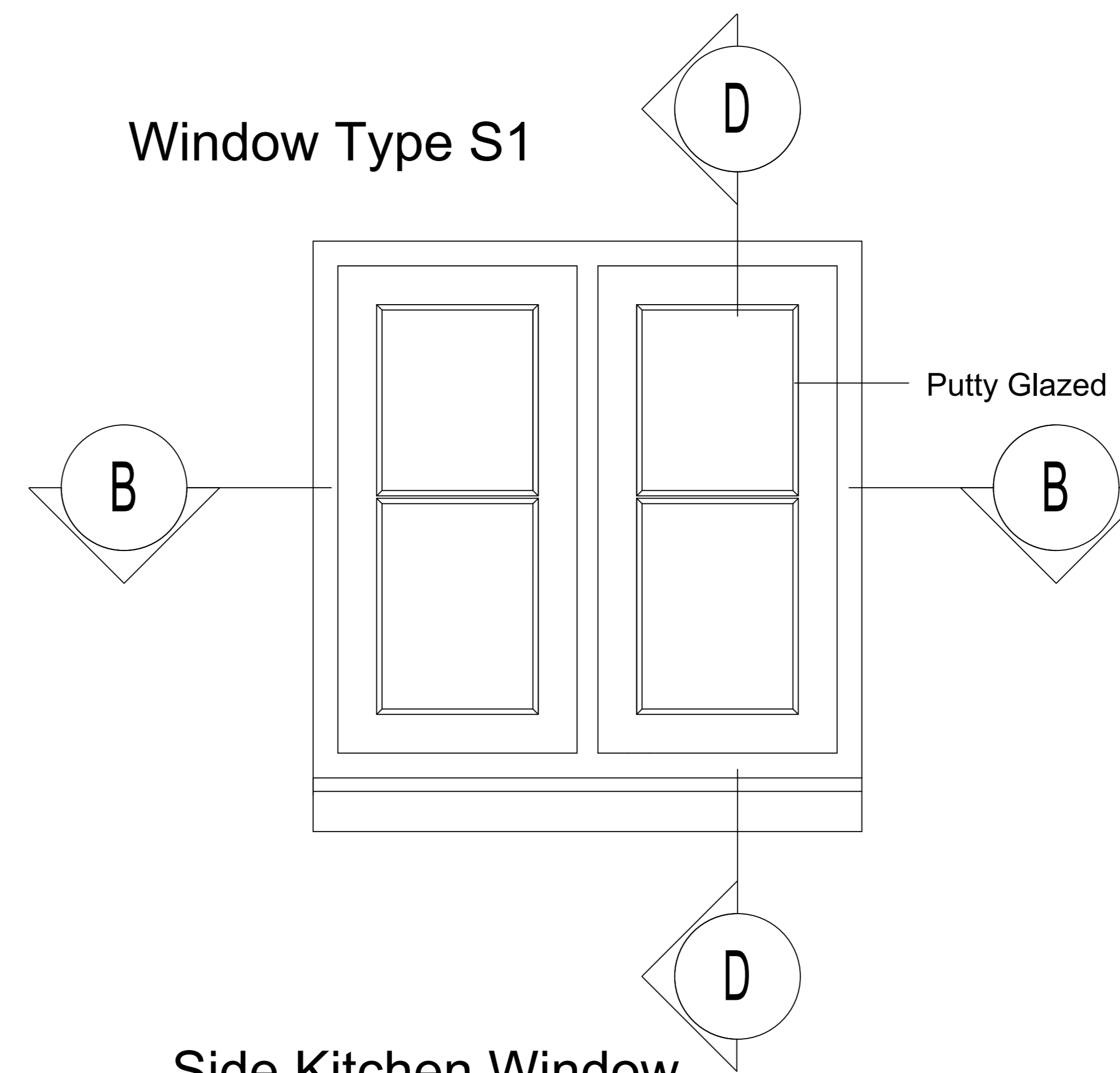
© Copyright



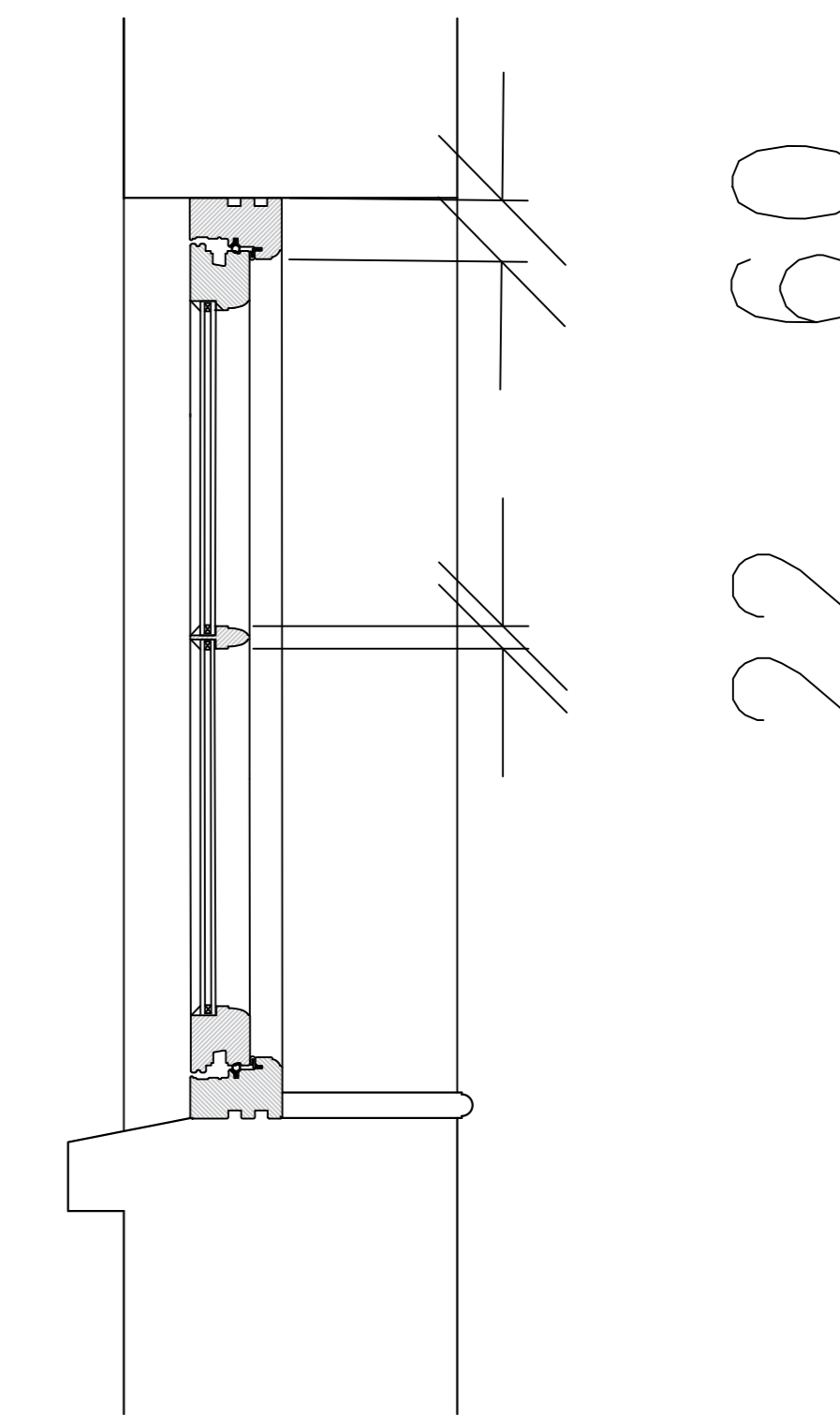
Window Type R1
Rear Kitchen Window
External Elevation



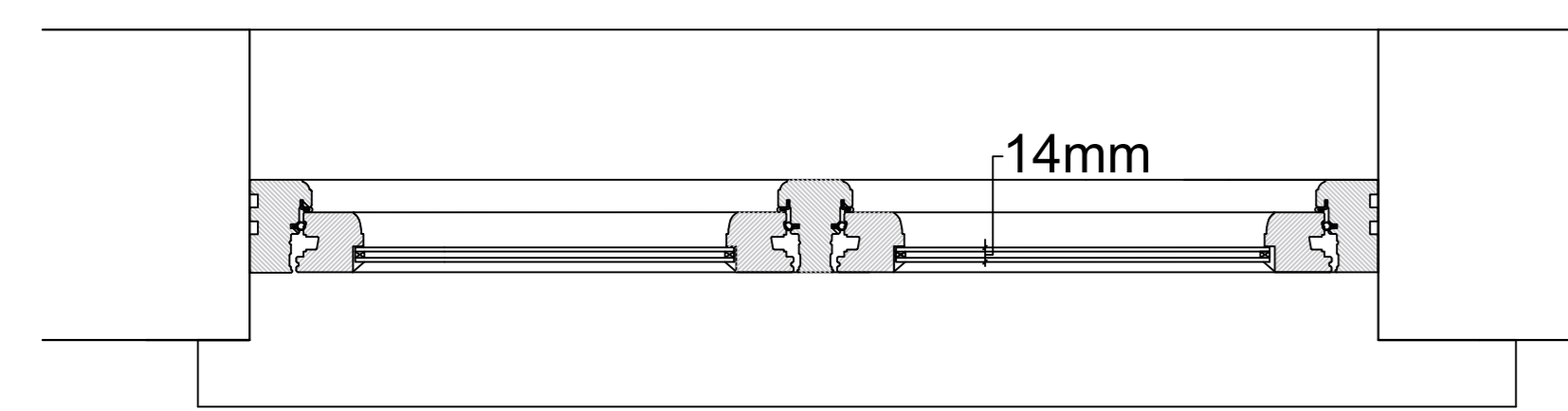
Side Kitchen Window
Section C-C



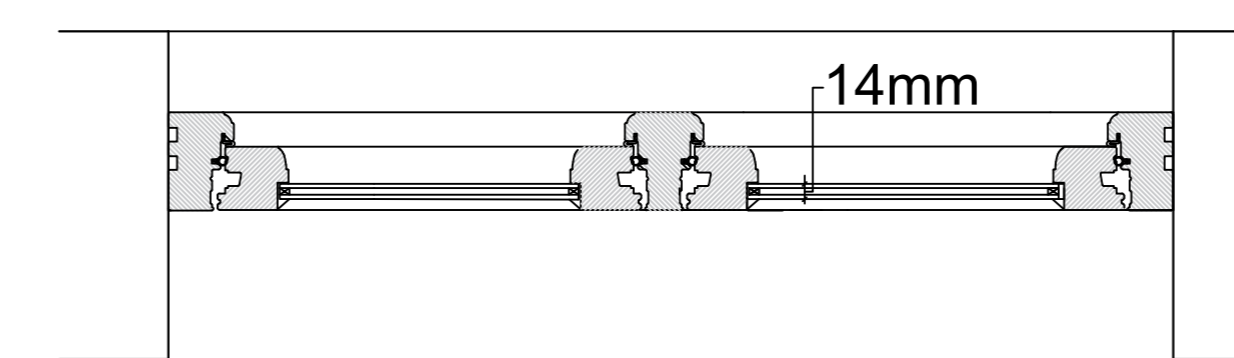
Window Type S1
Side Kitchen Window
External Elevation



Side Kitchen Window
Section D-D



Rear Kitchen Window Plan Section A-A



Side Kitchen Window Plan Section B-B

Window Specification Rear Kitchen

Flush Casement Window in Meranti Engineered Hardwood

Size : 1090mm wide x 930mm high
Head Frame Size : 60mm

Materials: Meranti Engineered Hardwood Timber
Colour : Painted to RAL 9003 White
Glazing Bars: 22mm True Bar
Glazing Features : Horizontal Astragal Bars
Glass Type: Clear 14mm Super Slim Double Glazed Unit 4mm ANL / 6mm Krypton / 4mm LowE (Putty Glazed)

Feature Mouldings: Ovolo
Cill: Existing Concrete Cill Redecorated in RAL 9003 White

Fixings: Mechanically Fixed, Mortar Bead Between Brickwork & New Timber Window

Ironmongery: Monkeytail Handle & Peg Stay. Finished in Black

Window Specification Side Kitchen

Flush Casement Window in Meranti Engineered Hardwood

Size : 1090mm wide x 930mm high
Head Frame Size : 60mm

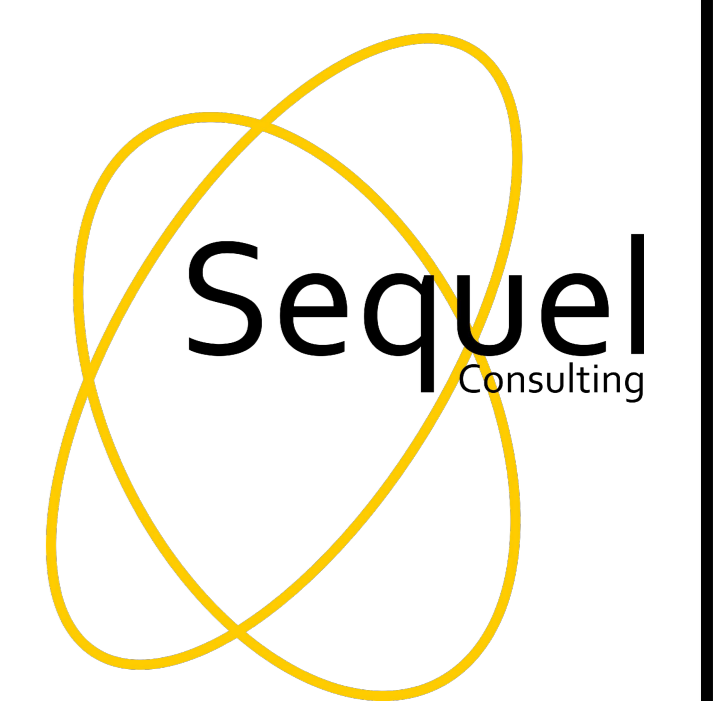
Materials: Meranti Engineered Hardwood Timber
Colour : Painted to RAL 9003 White
Glazing Bars: 22mm True Bar
Glazing Features : Horizontal Astragal Bars
Glass Type: Clear 14mm Super Slim Double Glazed Unit 4mm ANL / 6mm Krypton / 4mm LowE (Putty Glazed)

Feature Mouldings: Ovolo
Cill: Existing Concrete Cill Redecorated in RAL 9003 White

Fixings: Mechanically Fixed, Mortar Bead Between Brickwork & New Timber Window

Ironmongery: Monkeytail Handle & Peg Stay. Finished in Black

Rev	Description	Date	By	Chk'd
-----	-------------	------	----	-------



Client SG Thompson	
Project Title Dean Cottage Dippenhal Street Crandall Farnham Surrey GU10 5NY	
Drawing Title Ground Floor Kitchen Window Elevations & Sections	
Scale 1:10 @ A0	Date 15.03.2024
Drawn ST	Checked

Drawing No.	Floor	Detail	Revision
N040	0	KW	

Detailed Elevations & Sections