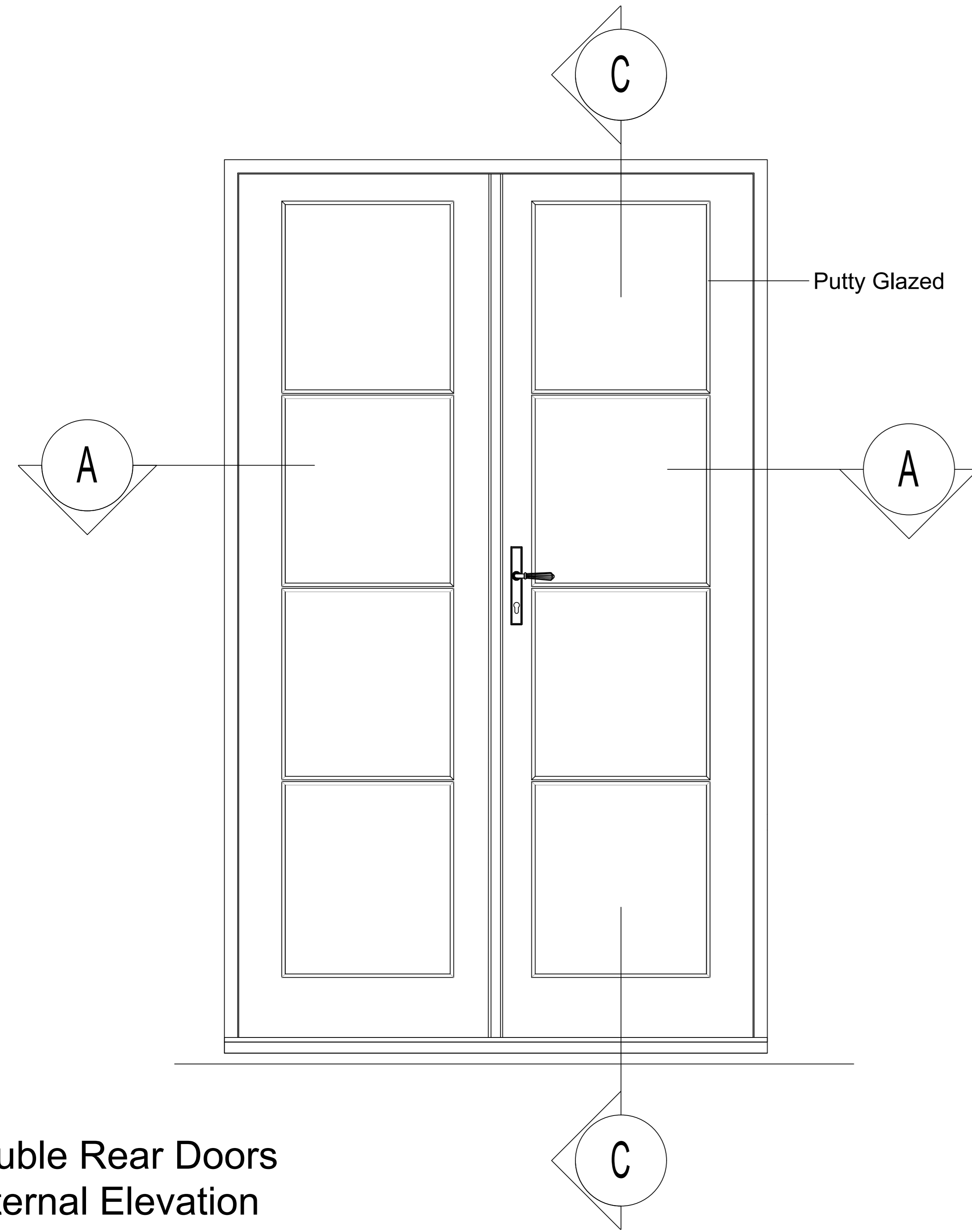


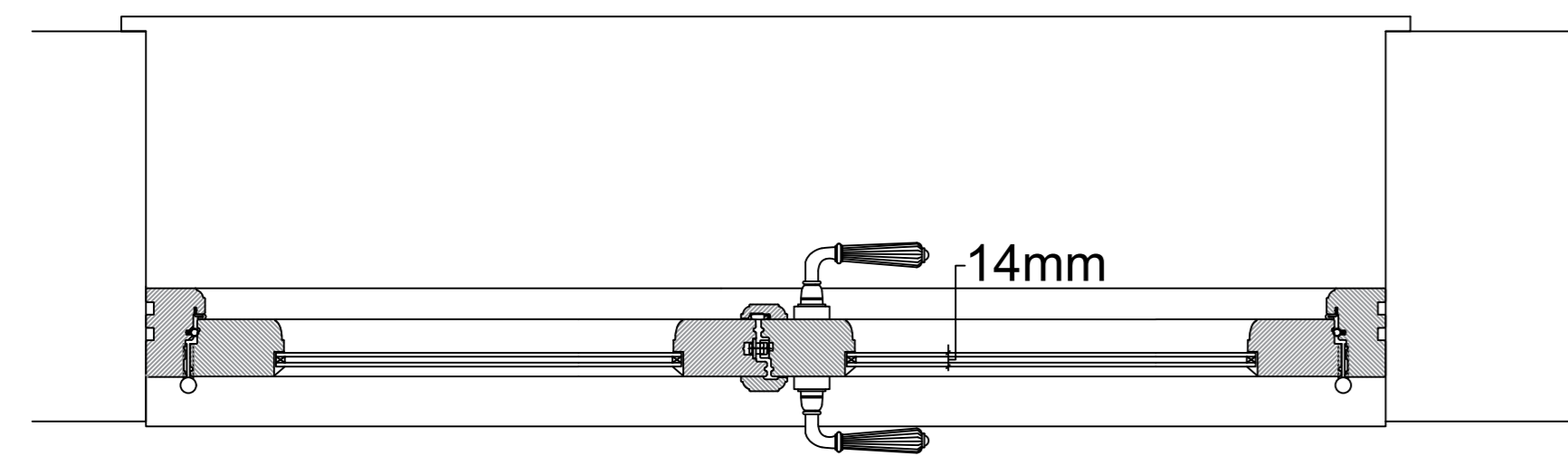
Rear Ground Floor Doors

© Copyright

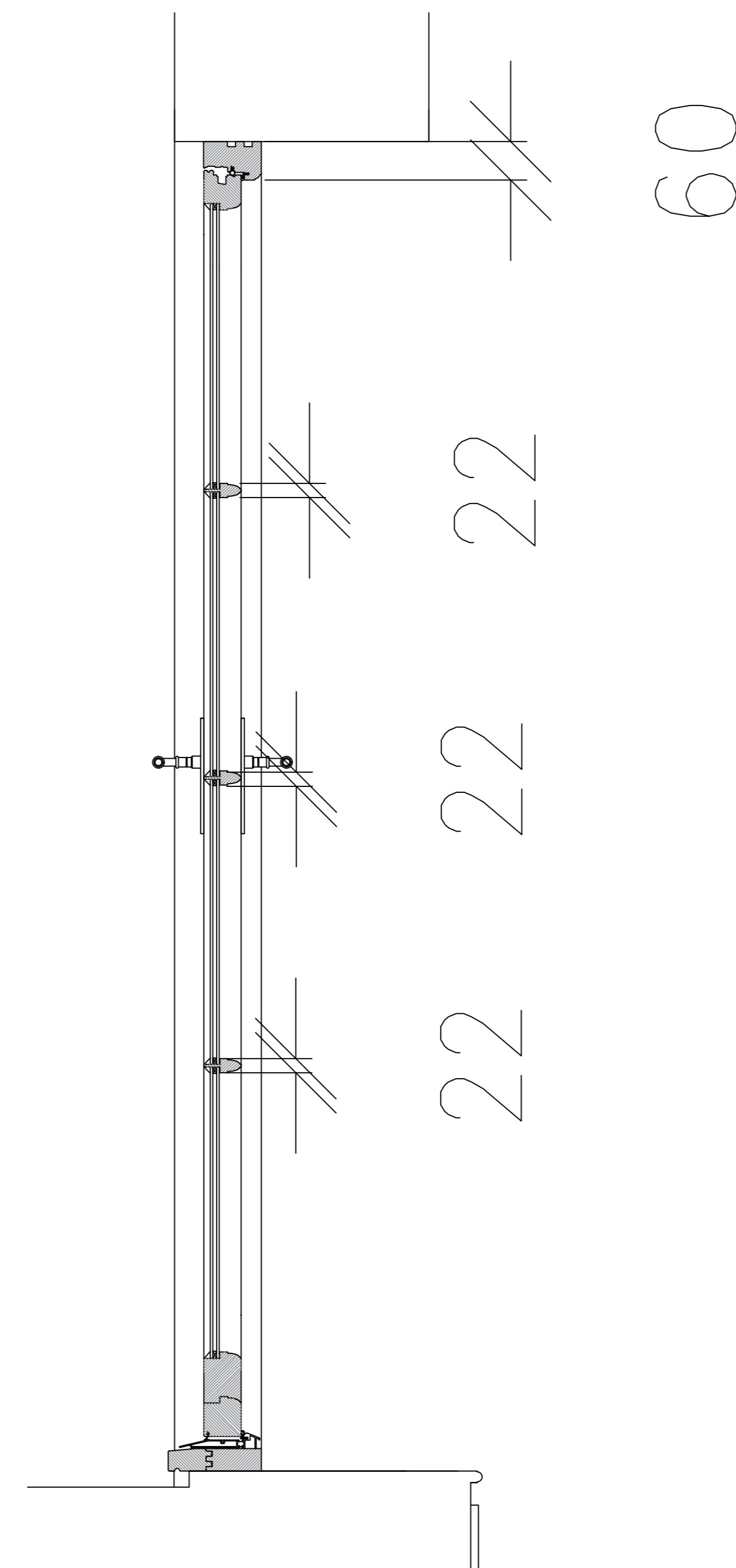
Door Type R2



Double Rear Doors
External Elevation

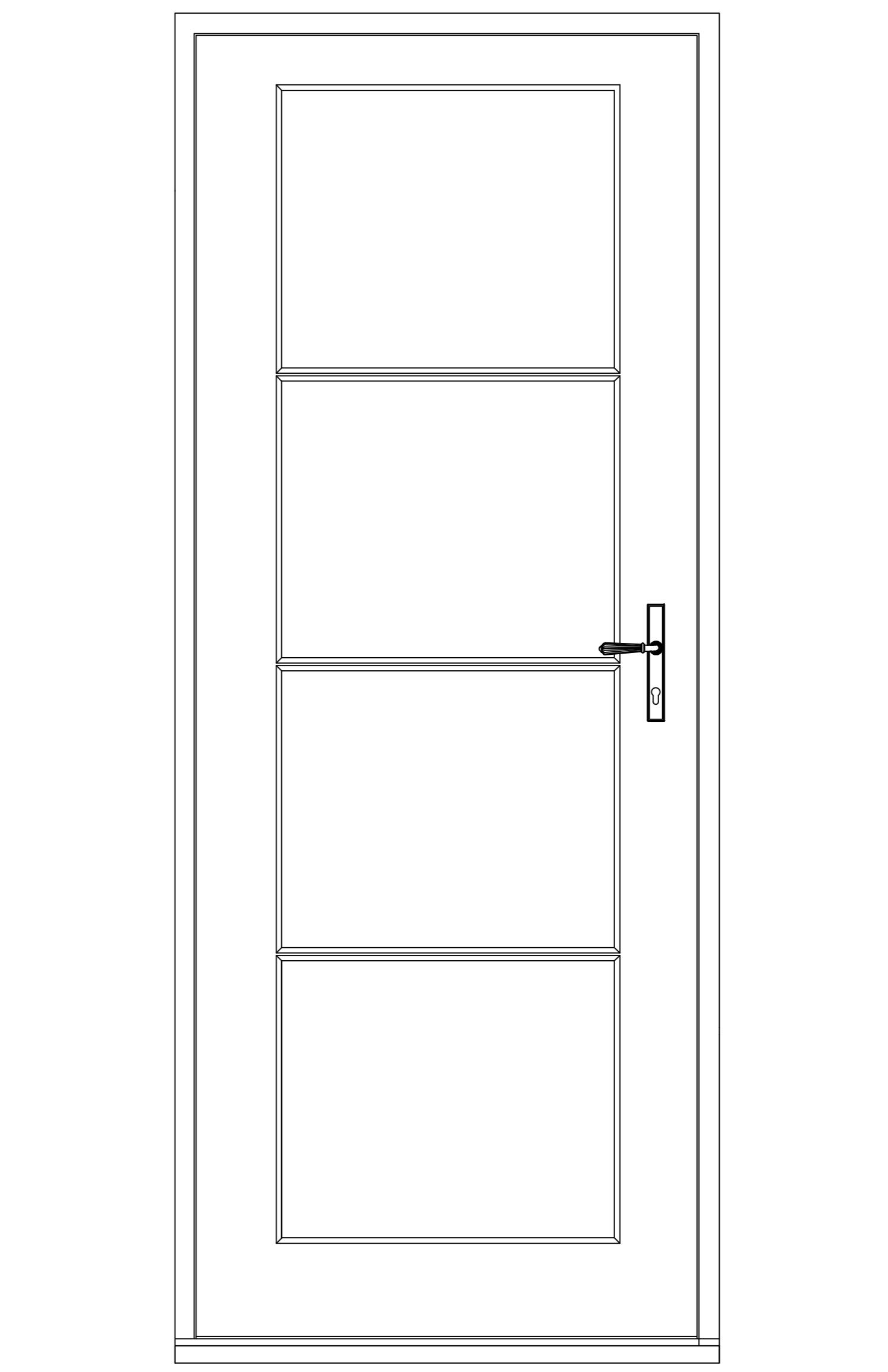


Double Rear Doors
Plan Section A-A

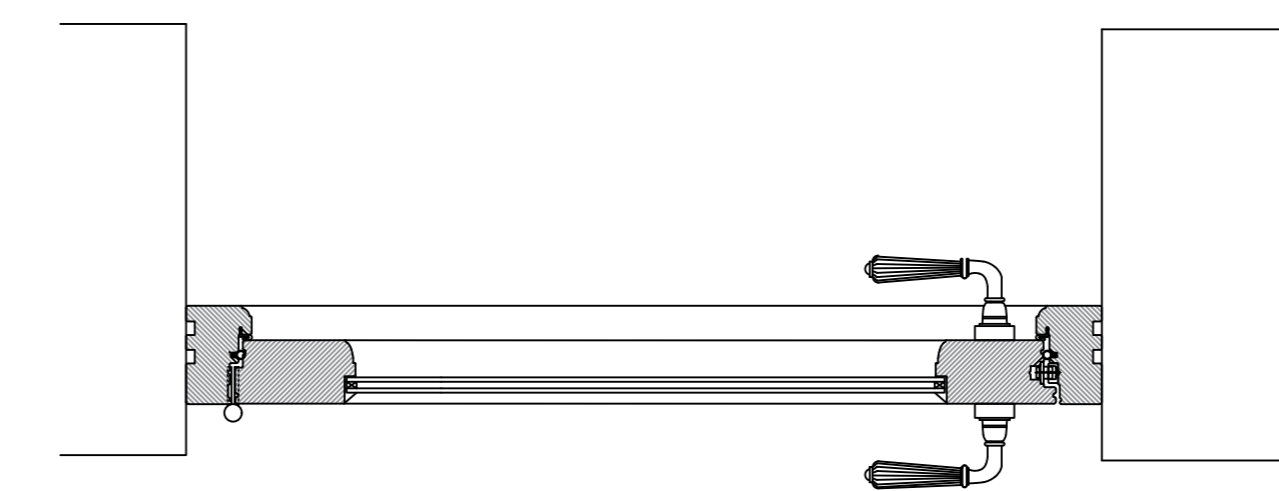


Double Rear Doors
Section C-C

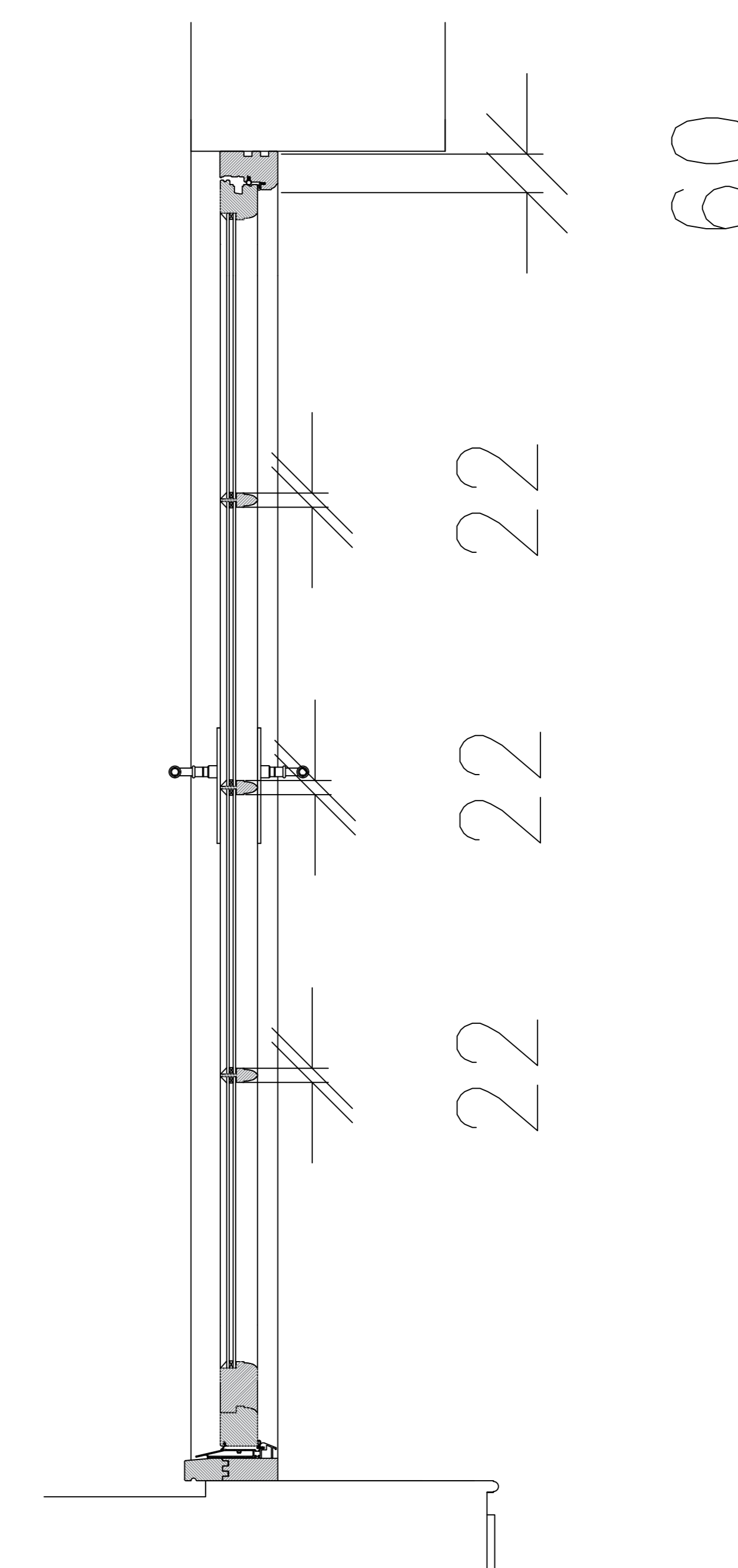
Door Type R4



Single Rear Door
External Elevation



Single Rear Door
Plan Section A-A



Single Rear Door
Section C-C

Door Specification Ground Floor Rear Elevation

Rear Doors in Meranti Engineered Hardwood

Head Frame Size : 60mm

Materials: Meranti Engineered Hardwood Timber
Colour : Painted to RAL 9003 White
Glazing Bars: 22mm True Bar
Glazing Features : Horizontal Astragal Bars
Glass Type: Clear 14mm Super Slim Double Glazed Unit 4mm ANL /6mm Krypton / 4mm LowE (Putty Glazed)

Feature Mouldings: Ovolo

Cill: 145mm x 35mm New Painted Hardwood

Fixings: Mechanically Fixed, Mortar Bead Between Brickwork & New Timber Window

Ironmongery: Black Handle & Hinges. Finished in Black

Rev	Description	Date	By	Chk'd



Client
SG Thompson

Project Title
Dean Cottage
Dippenhall Street
Crandall
Farnham
Surrey GU10 5NY

Drawing Title
Ground Floor Rear
Door Elevations,
Plans & Sections

Scale 1:10 @ A0	Date 15.03.2024
Drawn ST	Checked

Drawing No.	Floor	Detail	Revision
N040	1	RDO	

Detailed Elevations & Sections