

Wanzl Trolley Bay

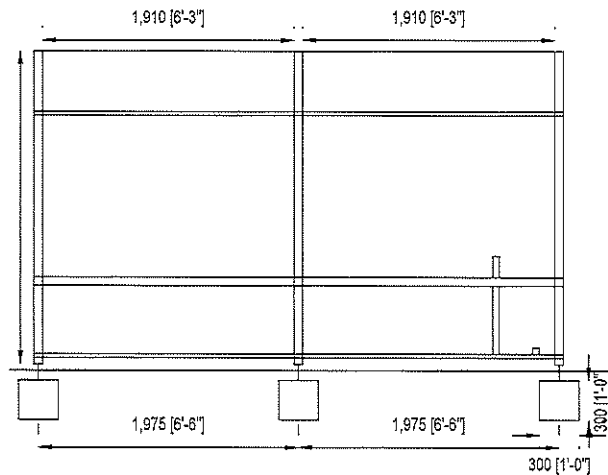
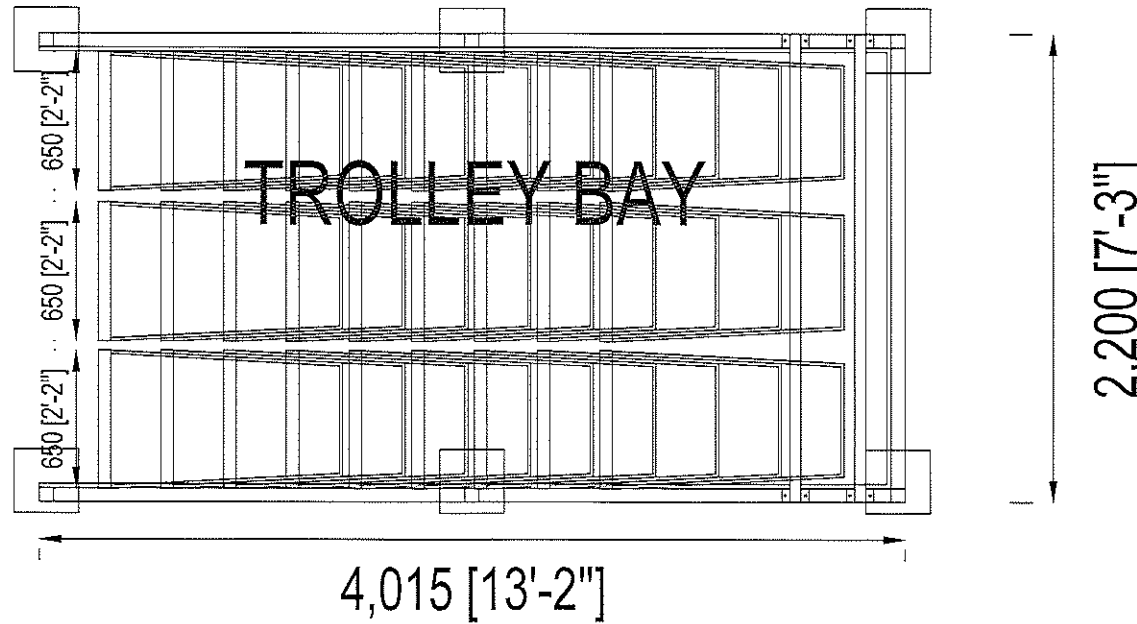
This drawing remains the COPYRIGHT of T.J. Morris Ltd and must not be used for any other purpose without permission.

Do not scale from this drawing. All dimensions to be checked by site measurement and discrepancies reported immediately.

This drawing must be read in conjunction with all Architects, Consultants, Subcontractors and Specialists drawings, together with Contract Administrators' drawings, specification and other contract documents.

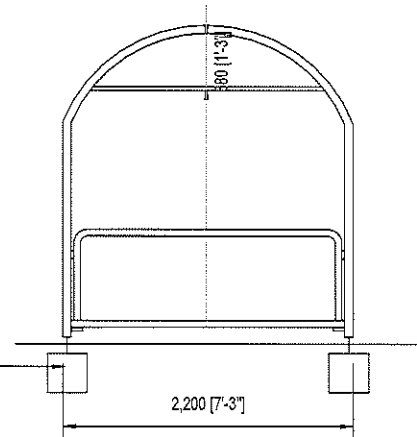
The Contractor is to provide a Method Statement prior to undertaking any demolition works, creation of openings and opening up works.

Trolley bay supplied by WANZL to be bedded in concrete or resin fixed below the level of the existing hard standing.
Note: This version fits in for Car Parking Bay.



Side Elevation

300mm x 300mm x 300mm Concrete Base, cast below finished floor level to allow finish to be made good



Front Elevation

Rev	Int.	Description	Date
-----	------	-------------	------



T.J. Morris Limited Asia Business Park
200 Lakeside Road, Singapore 138603 | L11 01A
Tel: 6753 530 2920

Rev: DETAILS AS PROPOSED - TRÉBLE
WANZL STANDARD TROLLEY BAY FOR PARKING BAY

Date: NOV 2021 Scale: 1:1.5 Sheet Size: A3

Drawn: P. WILKINSON Checked:

Issued for: **STANDARD DETAIL**

Project No: TJM - SD | Draw No: FIXTURE 2 | Revision: