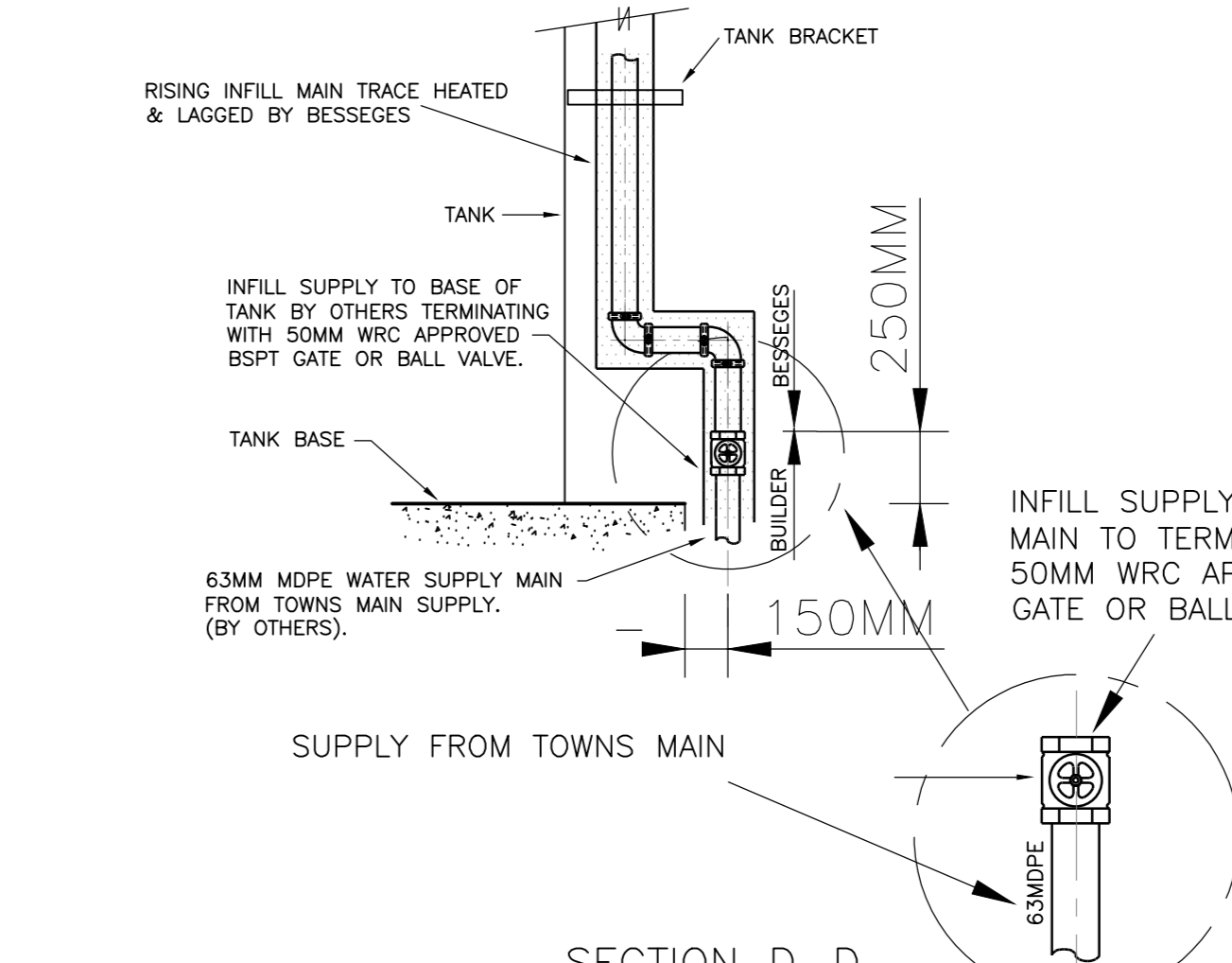
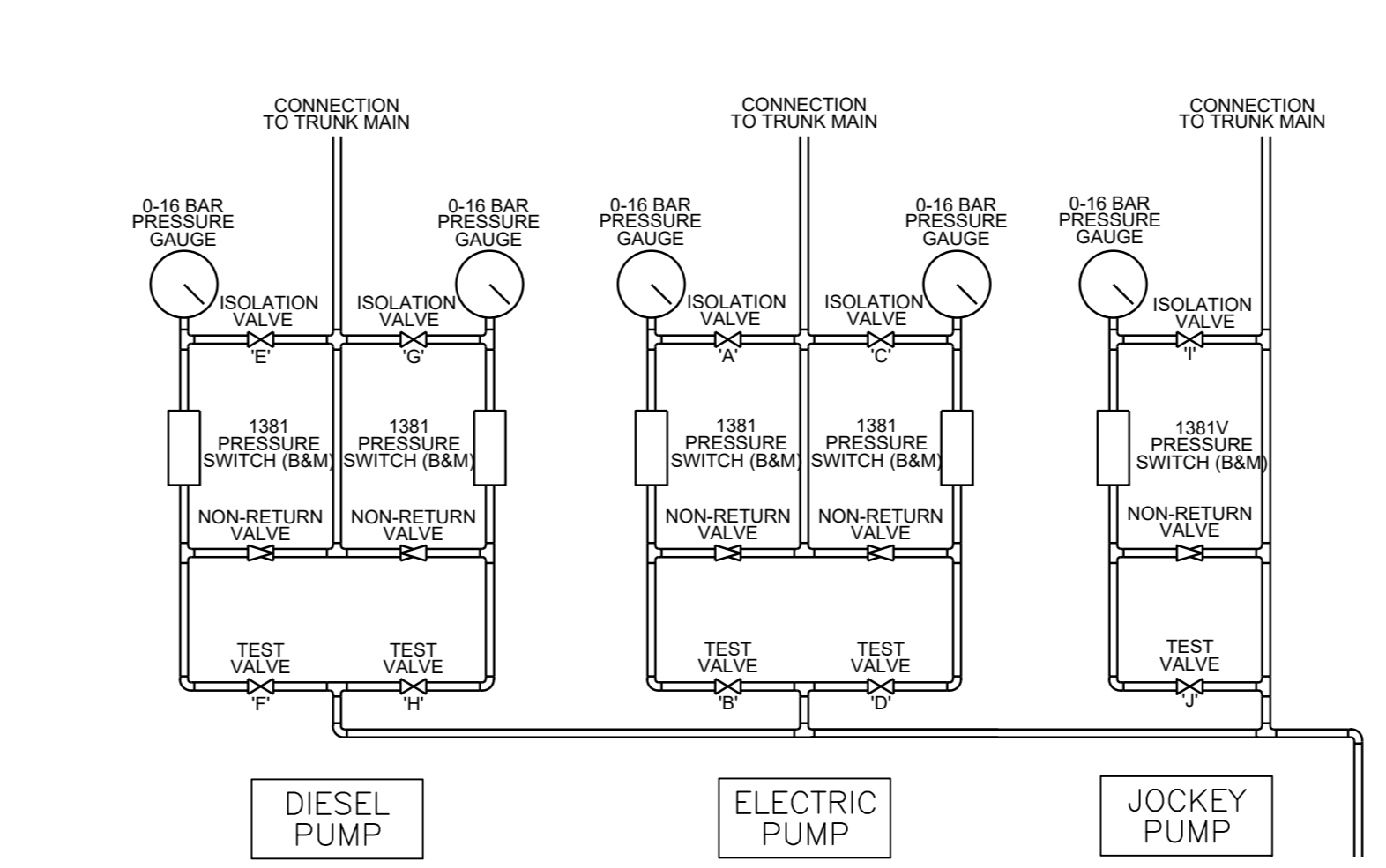
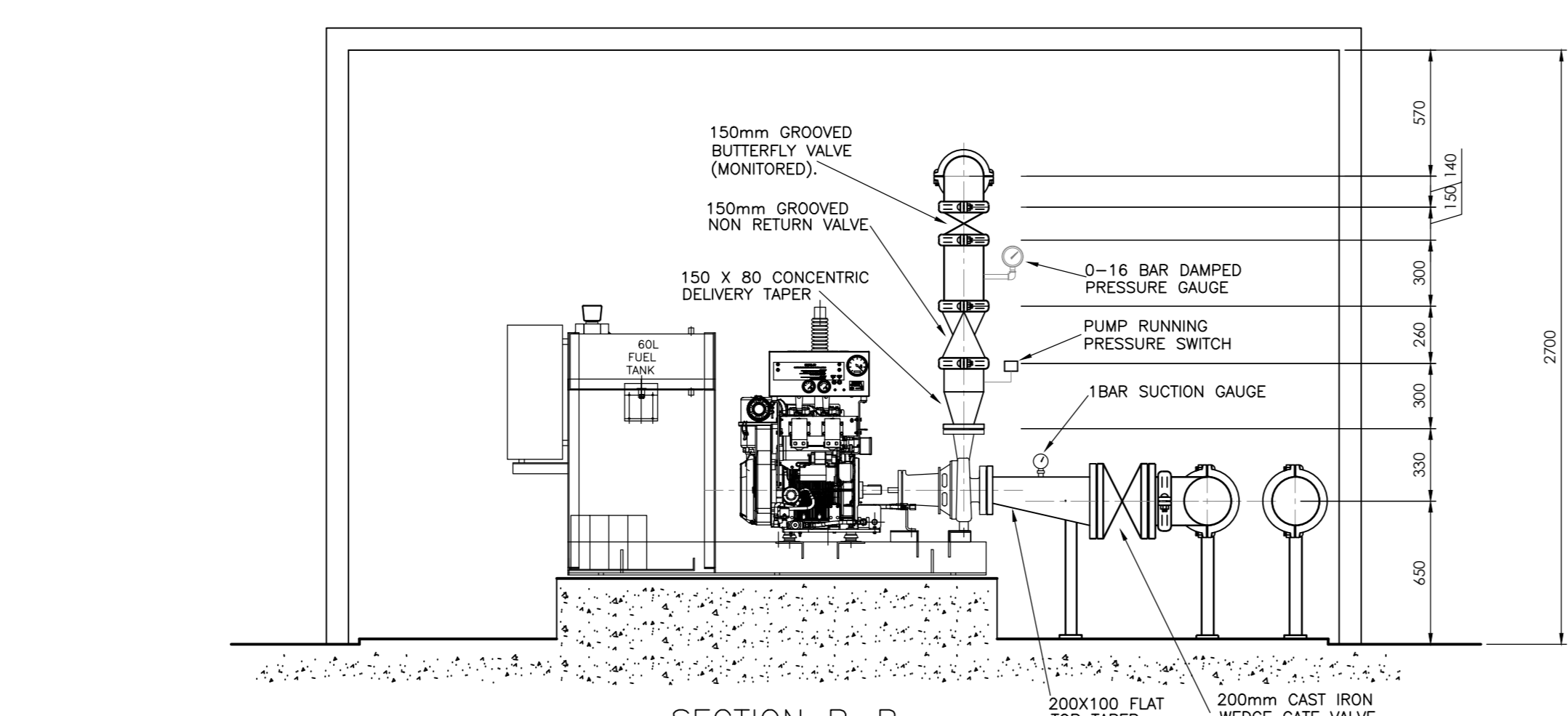
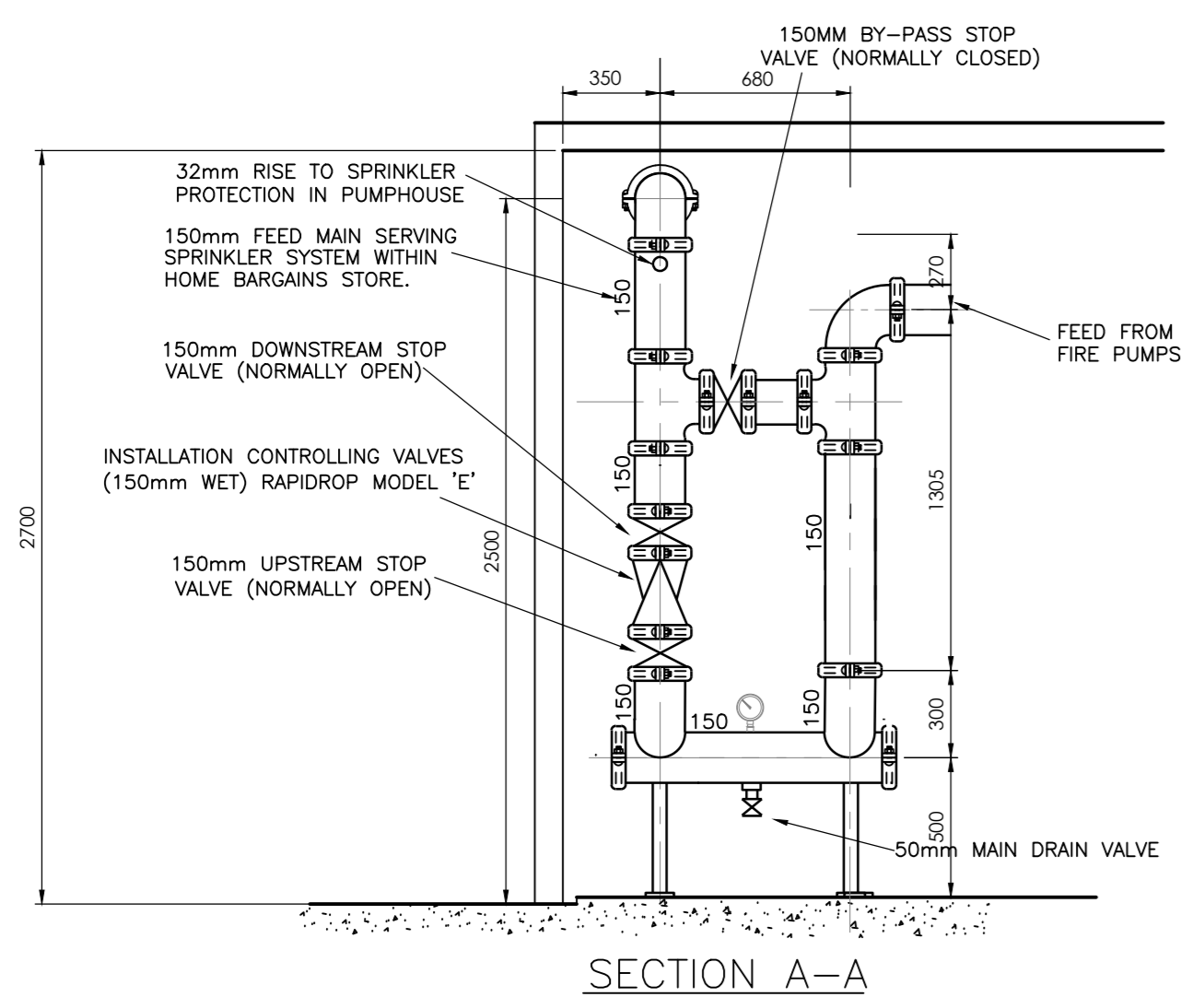
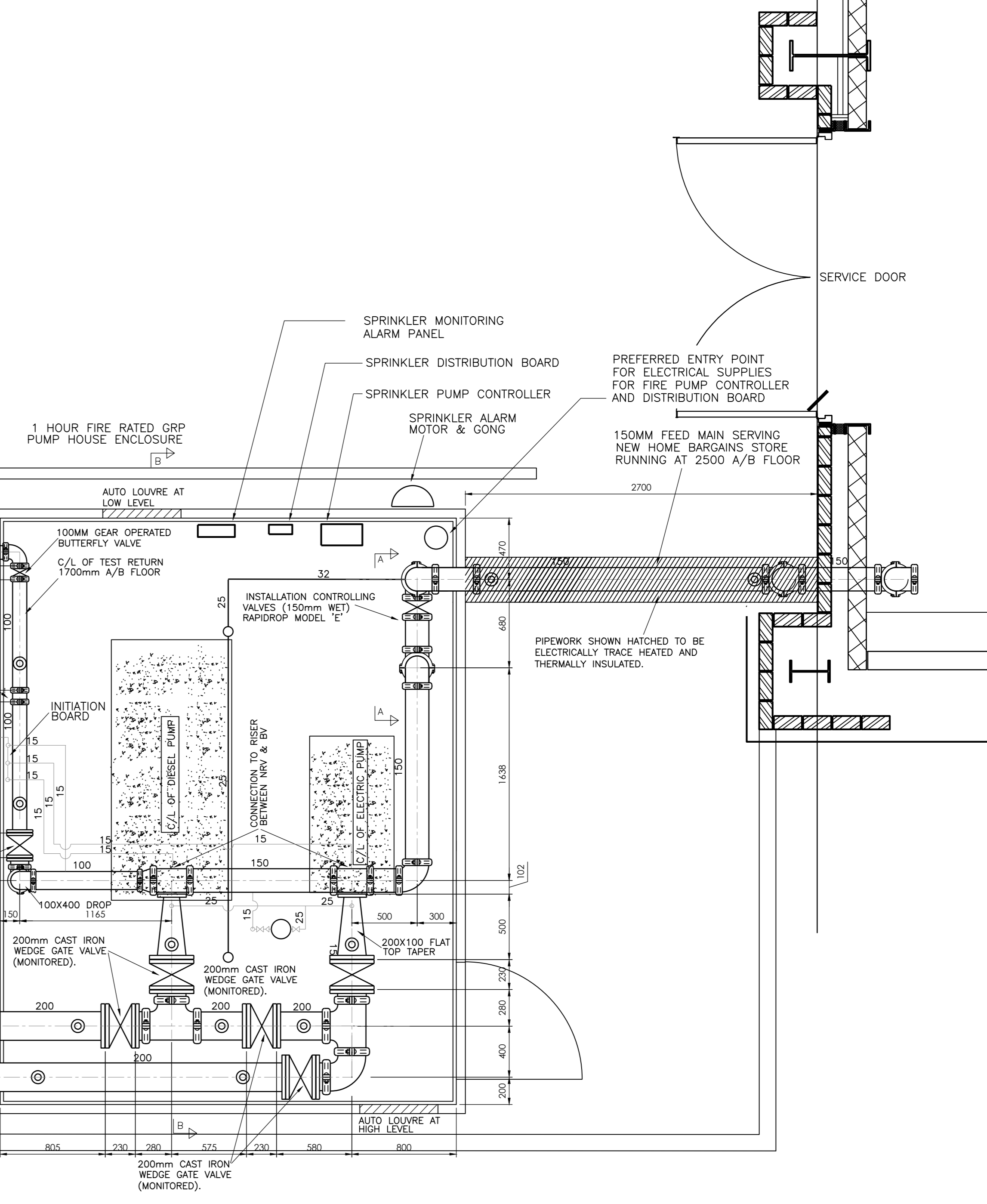
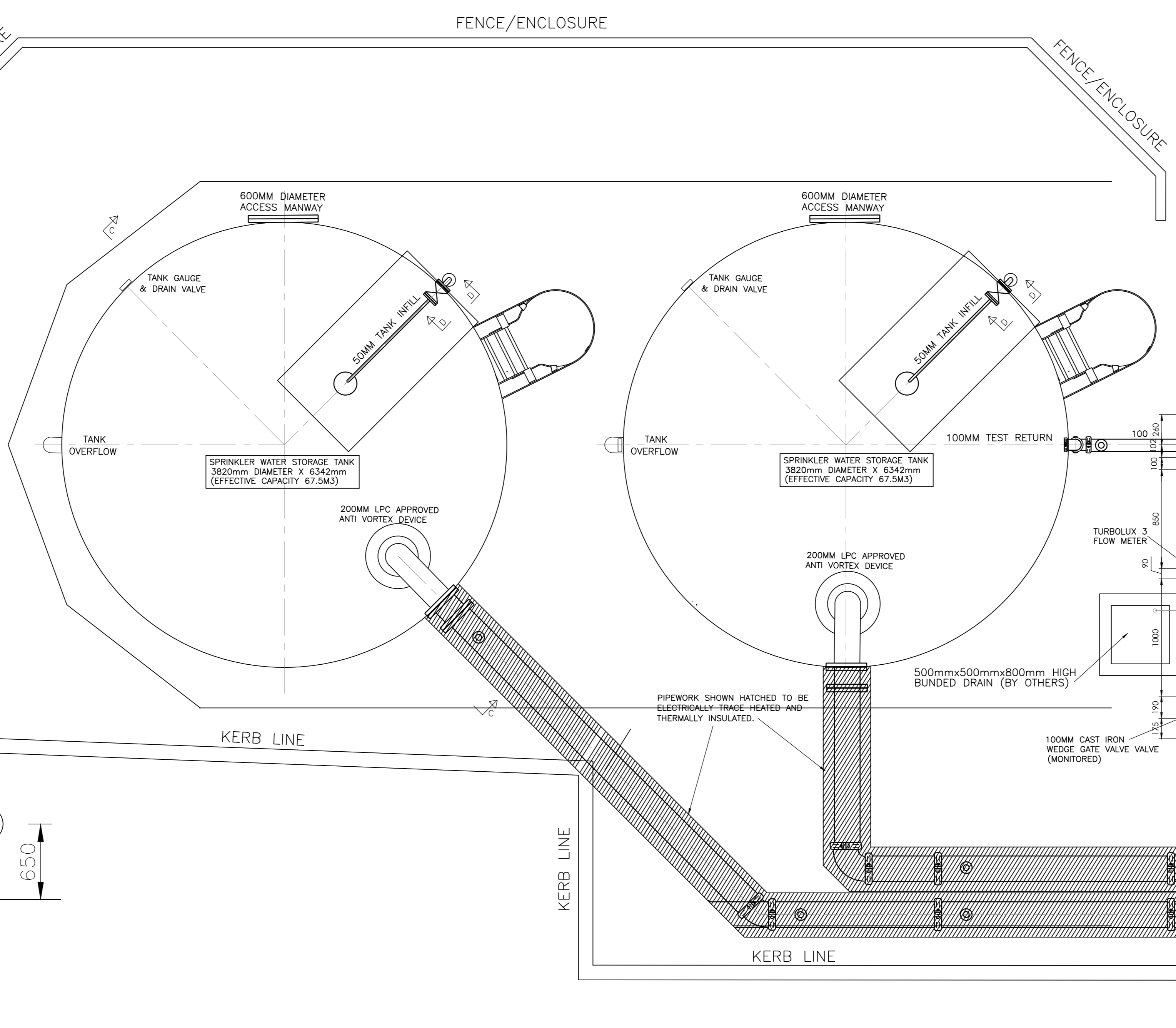
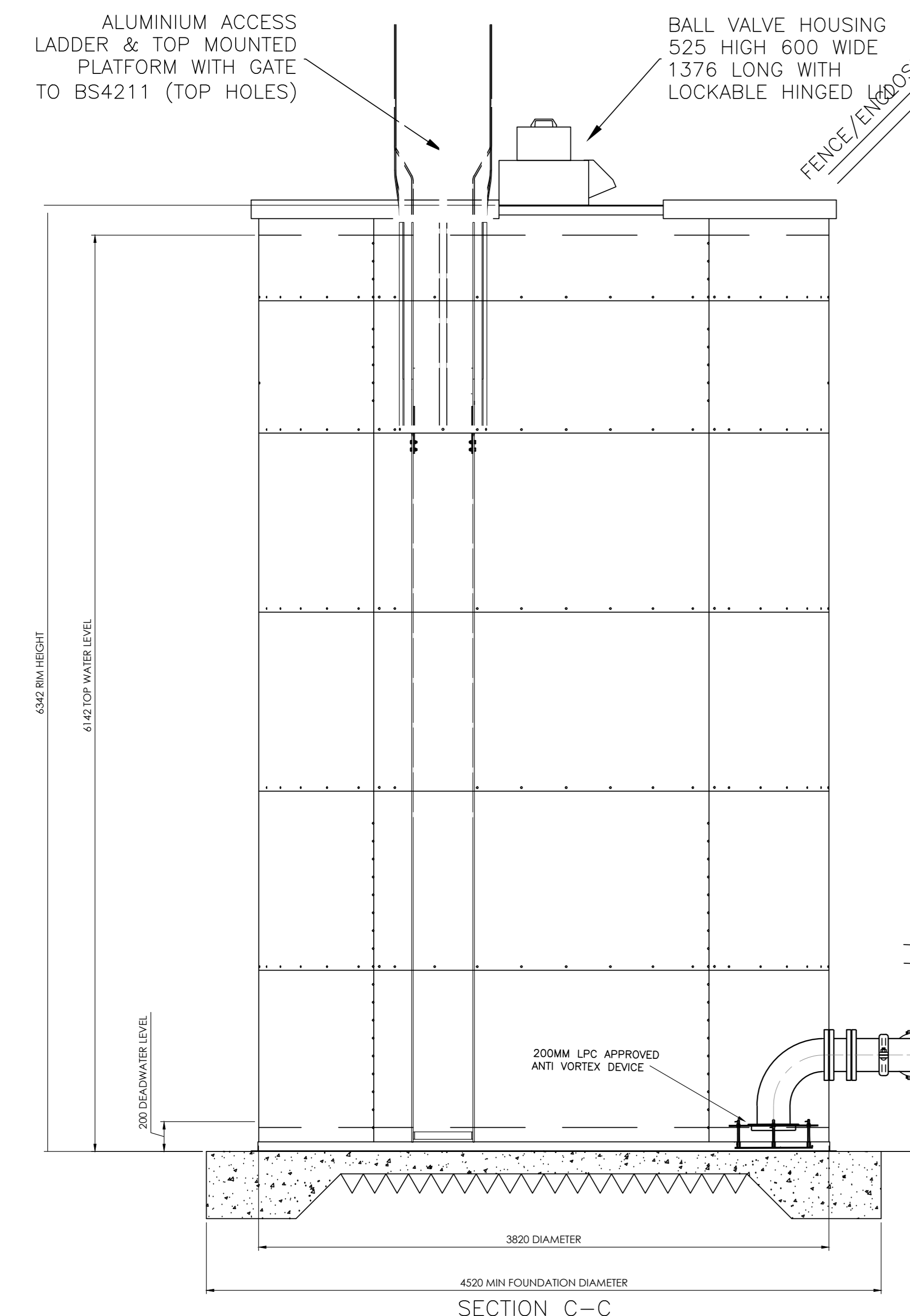
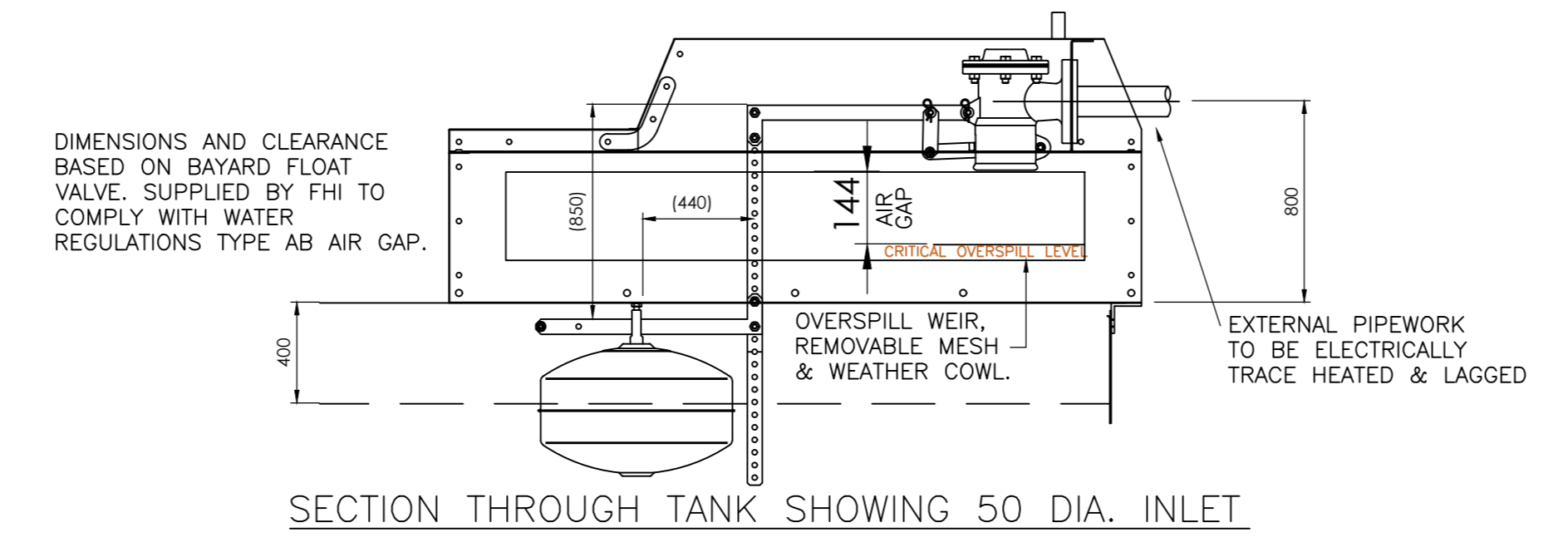


SEE DRAWING No A1.C.14424.02 FOR BUILDERS WORK DETAILS ASSOCIATED WITH THE SPRINKLER WATER SUPPLIES



| PIPEWORK SUPPORTS |          |          |
|-------------------|----------|----------|
| HANGER A          | HANGER B | HANGER C |
| HANGER E          | HANGER F | HANGER G |

| KEY SYMBOLS  | CONTROLS, PROJECTORS, WARNERS AND SPRINKLERS MUST NOT BE PAINTED.   |
|--|---|
| <ul style="list-style-type: none"> <li>UPRIGHT SPRINKLER</li> <li>PENDENT SPRINKLER</li> <li>VOID SPRINKLER</li> <li>SPRINKLER ON RISE/DROP</li> <li>SPRINKLER B/L CEILING</li> <li>EXISTING PIPEWORK</li> <li>BLANK CAP</li> <li>BLANKON</li> <li>SOCKET</li> <li>FLANGES</li> <li>WELDED REDUCER</li> <li>DRAINAGE SLOPE</li> <li>HANGER POSITION &amp; TYPE</li> <li>VICTAULIC COUPLING</li> <li>BARREL NIPPLE</li> <li>B.N.</li> <li>CENTRES</li> <li>D.C.</li> <li>DV/SP</li> <li>GR.</li> <li>M&amp;F</li> <li>SPRK</li> <li>T.C.</li> </ul> | <p>THIS DRAWING IS THE COPYRIGHT OF BESSEGES LTD &amp; IS NOT TO BE DISTRIBUTED TO OTHER PARTIES WITHOUT PRIOR CONSENT OF BESSEGES LTD TO THE CLIENT.</p> <p>BESSEGES LTD DO NOT ACCEPT ANY RESPONSIBILITY FOR DAMAGE CAUSED BY FROST. CLIENTS SHOULD TAKE ADEQUATE PRECAUTIONS AGAINST THE WATER IN THE VALVES AND PIPEWORK ABOVE AND BELOW THE VALVES FREEZING DURING SEVERE WEATHER.</p> <p>BESSEGES LTD DO NOT ACCEPT RESPONSIBILITY FOR DESIGN AND CONSTRUCTION OF THROUST BLOCKS OR ANCHOR POINTS FOR UNDERGROUND MANG.</p> <p>SUITABLE DRAINAGE FACILITIES MUST BE PROVIDED BY CLIENTS AT TEST VALVE AND OTHER LOCATIONS TO ACCEPT PERIODIC TEST DISCHARGES.</p> |

| WATER SUPPLIES EQUIPMENT SCHEDULE            |                               |
|--|-------------------------------|
| 16.6KW ARMSTRONG DIESEL DRIVEN FIRE PUMP     | 2250L/M @ 1.4 BAR             |
| PUMP DUTY:                                   | TBC                           |
| PUMP MODEL NUMBER:                           | 4X3X.5                        |
| SERIAL NUMBER:                               | TBC                           |
| 15KW ARMSTRONG ELECTRICALLY DRIVEN FIRE PUMP | 2250L/M @ 1.4 BAR             |
| PUMP DUTY:                                   | TBC                           |
| PUMP MODEL NUMBER:                           | 4X3X.5                        |
| SERIAL NUMBER:                               | TBC                           |
| ARMSTRONG JOCKEY PUMP                        | 1.4 BAR                       |
| PUMP MODEL NUMBER:                           | VMS2-9B                       |
| SERIAL NUMBER:                               | TBC                           |
| TWIN FRANKLIN HODGE SPRINKLER TANKS          | 67.5M3 EACH                   |
| EFFECTIVE CAPACITY:                          | 67.5M3 EACH                   |
| MIN RATE OF INFILL REQUIRED:                 | 31.25 LITRES/MIN TO EACH TANK |

| DESIGN SPECIFICATION BS EN12845 LPC RULES |   |
|---|---|
| OCCUPANCIES & HAZARD CLASSIFICATION:      | RETAIL SHOP, ORDINARY HAZARD 3  |
| TYPE OF PROTECTION:                       | PROPERTY  |
| NUMBER OF LEVELS:                         | 1   |
| SHOPPING CENTRE MALL PROTECTED:           | N/A   |
| CATEGORY OF STORAGE:                      | 2   |
| TYPE OF STORAGE:                          | S1(FREESTANDING)<br>S5(SOLID OR SLATED SHELVES 1M OR LESS WIDE)                           |
| AREA OF OPERATION:                        | 216m²   |
| SPRINKLER HEAD SIZE:                      | 15mm  |
| DISCHARGE DENSITY:                        | 5mm/min (K FACTOR = 80)   |
| DESIGN SPACING:                           | 12m²  |
| MINIMUM STORAGE HEIGHTS:                  | 3.0M(S1) 2.0M(S5) & MIN 0.5M CLEARANCE BELOW SPRINKLER DEFLECTOR (WHICHEVER IS THE LEAST) |
| PIPEWORK TABLE:                           | TABLES 30 & 31  |
| FLOW RATE:                                | 1000 L/min  |
| TYPE OF SYSTEM:                           | 150mm WET - INST. No.1  |
| HEIGHT OF HIGHEST SPRINKLER:              | TBC   |
| WATER SUPPLIES:                           | DUPLICATE PUMPS & TANKS   |
| PIPEWORK TYPE:                            | BS EN10255 RED MEDIUM TUBE  |

| REVISION |  | DETAILS |      | DRWN BY | CHECKED BY | DATE     |
|----------|--|---------|------|---------|------------|----------|
| P2       | PUMP ROOM RESPONDED TO AFFORD ADEQUATE CLEARANCE TO SERVICE DOOR & ESCAPE ROUTE                            | K.D.    | M.W. | D.C.    |            | 17.01.24 |
| P3       | PUMP ROOM RESPONDED TO GIVE ADDITIONAL ACCESS & PIPE ENTRY POINT AMENDED TO SUIT CONSULTANTS REQUEST       | M.W.    | D.C. |         |            | 29.01.24 |
| P4       | INCORPORATING MANGS TO TANKS ADJUSTED INCORPORATING POWER SUPPLY LOCATION ADDED & WAREHOUSE CONTROL PANELS | M.W.    | D.C. |         |            | 30.01.24 |
| P5       | PUMPHOUSE HEIGHT AND PIPEWORK AMENDED TO SUIT DELIVERY PIPE REVISION HEIGHT.                               | M.W.    | D.C. |         |            | 01.02.24 |

**BESSEGES Fire Protection**  
 Tel : 0161 3083252  
 Riverside, Dukinfield, Cheshire, SK16 4HE.

**L.P.C.B CERTIFIED INSTALLERS**

**HOME BARGAINS STORE  
 LEECHMERE ROAD  
 SUNDERLAND**

**PROPOSED SPRINKLER WATER SUPPLIES**

DRAWING NUMBER: **A0.C.14424.01** | REVISION: **P5**  
 SCALE: 1-25 (A0) | DATE: 12.01.2024  
 DRAWN BY: K. DAVENPORT | CHECKED BY: M. WILCOX