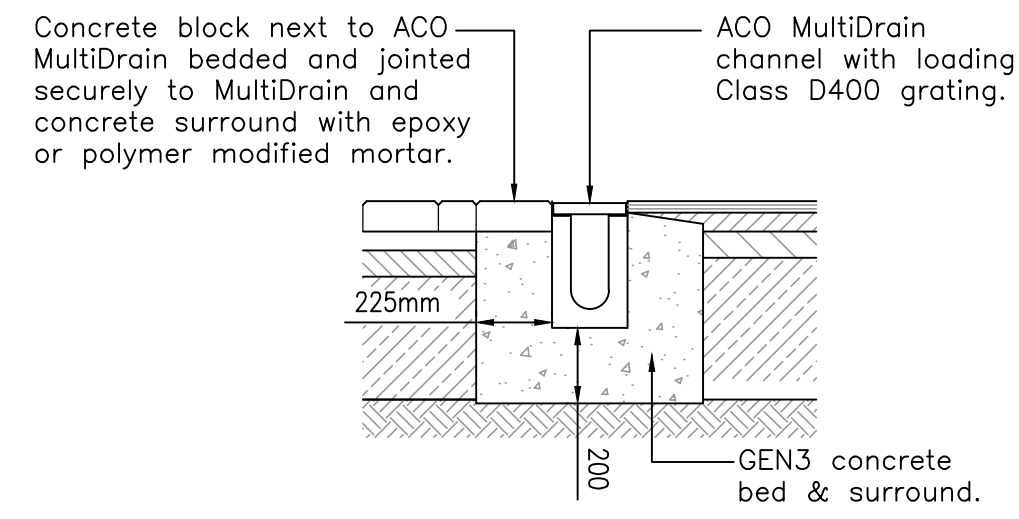
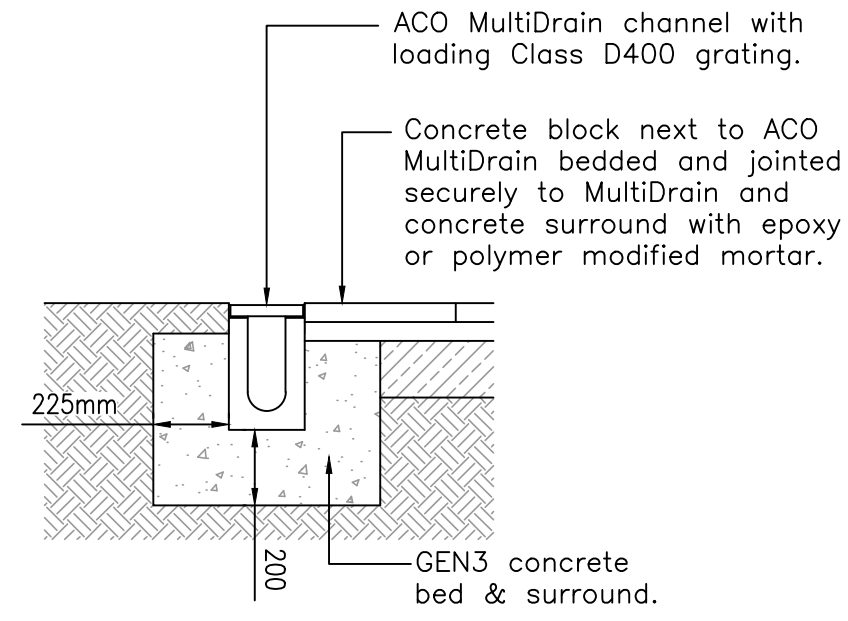


Adoptable sewers and manholes to be constructed in accordance with "Design and Construction Guidance", and to the approval of the adopting water authority.

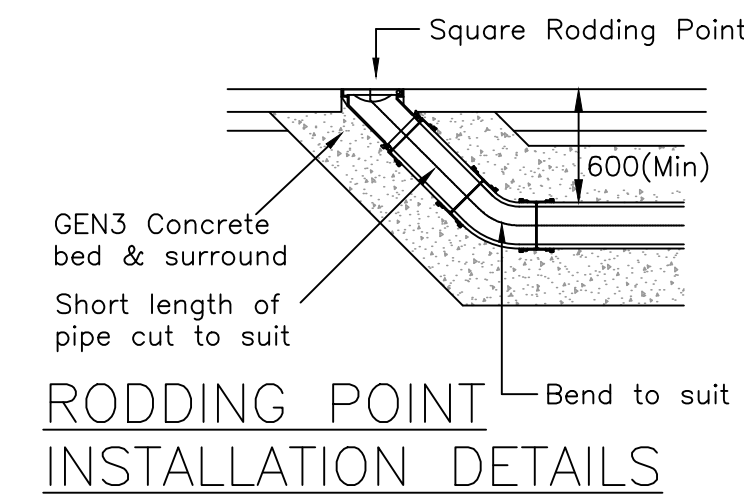
Private drainage to be constructed in accordance with the Building Regulations "Approved Document H".



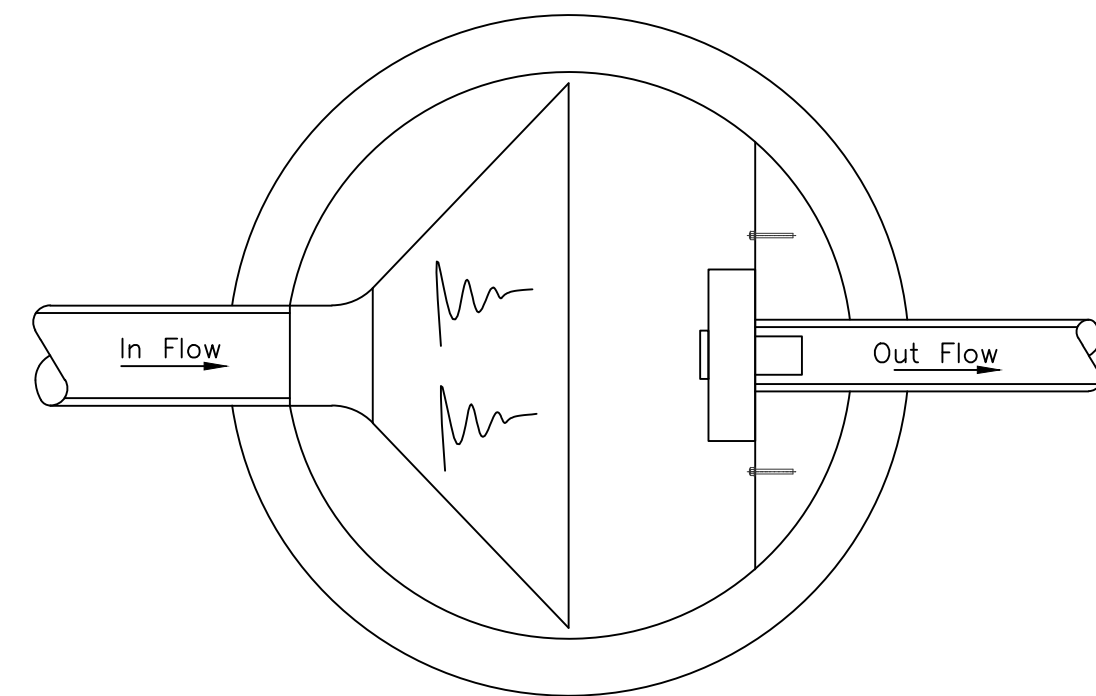
TYPICAL ACO MULTIDRAIN CHANNEL SECTION WITHIN CIRCULATION AREAS



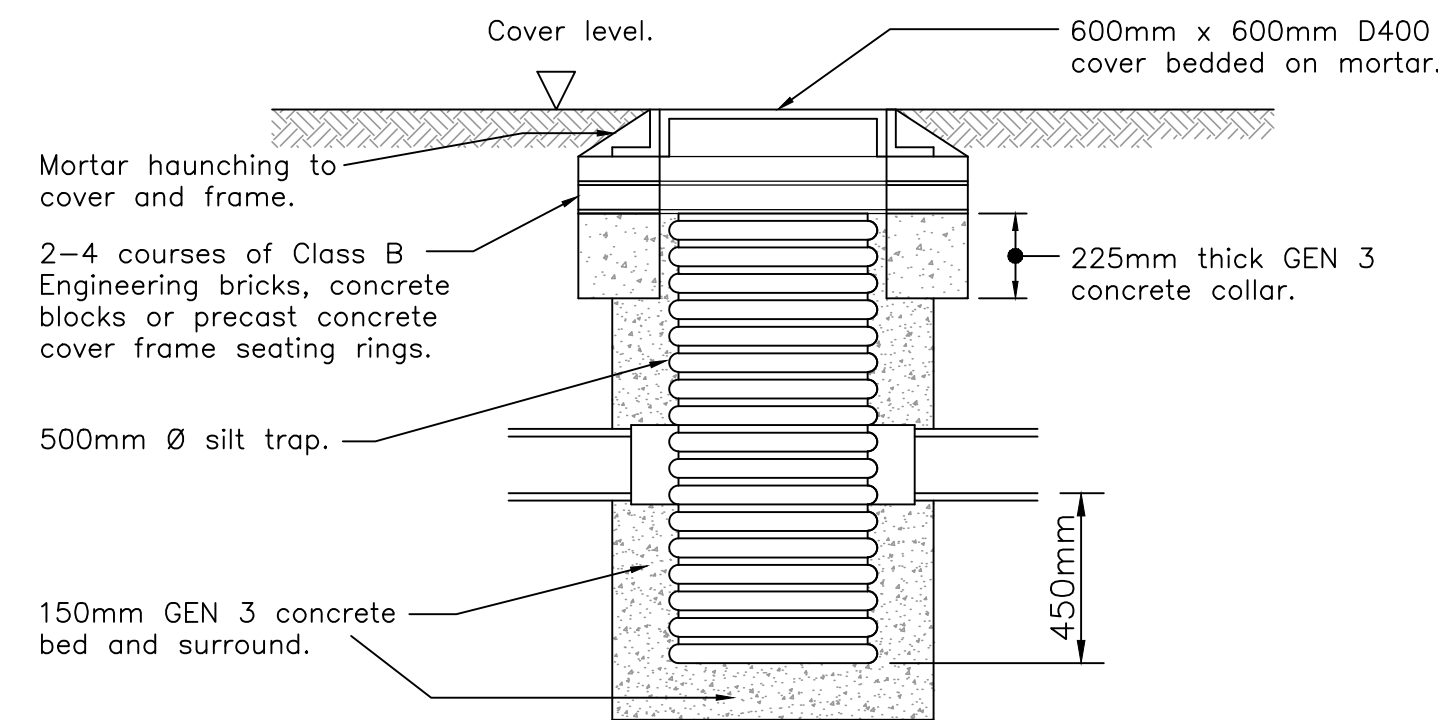
TYPICAL ACO MULTIDRAIN CHANNEL SECTION WITHIN PATIO



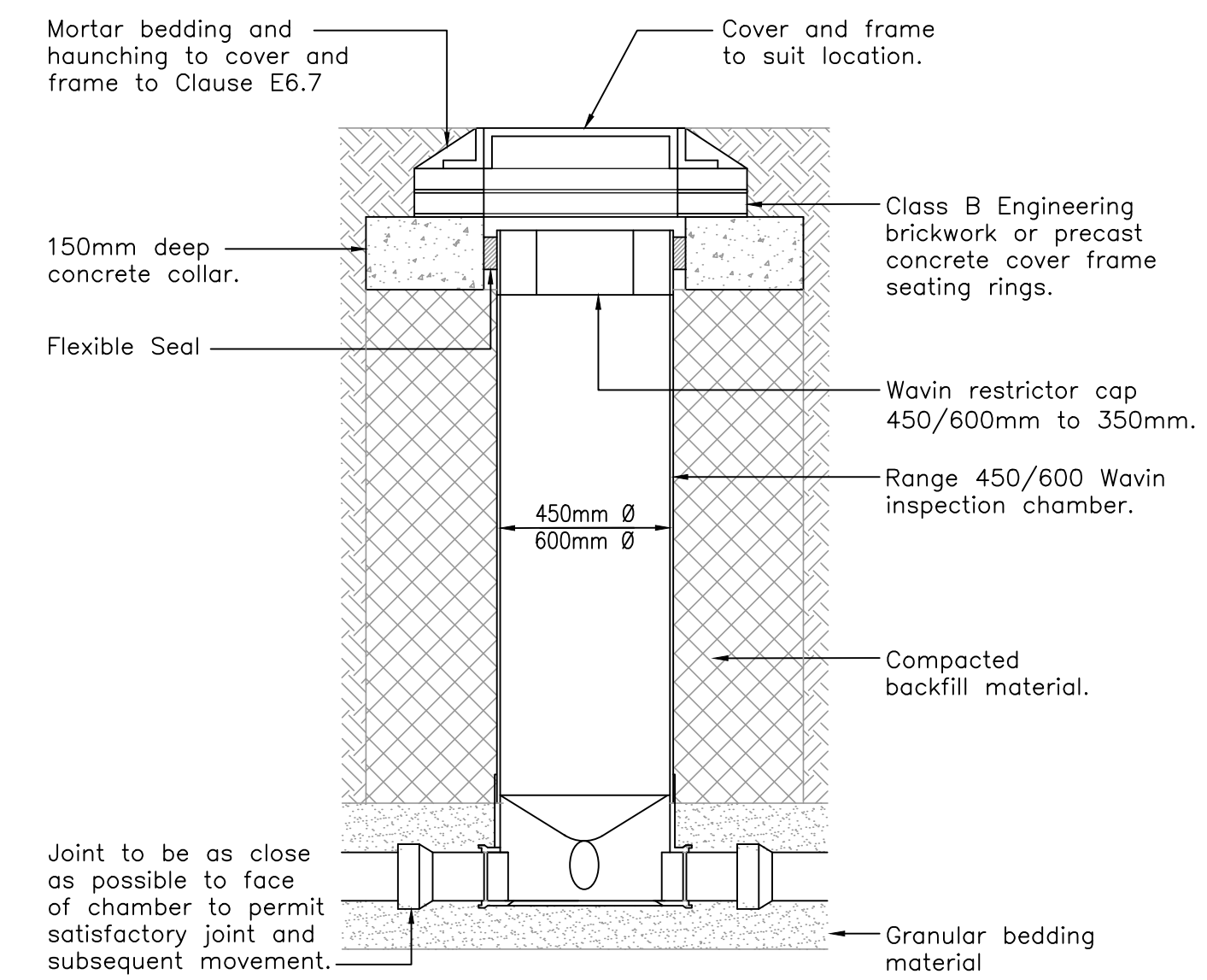
RODDING POINT INSTALLATION DETAILS



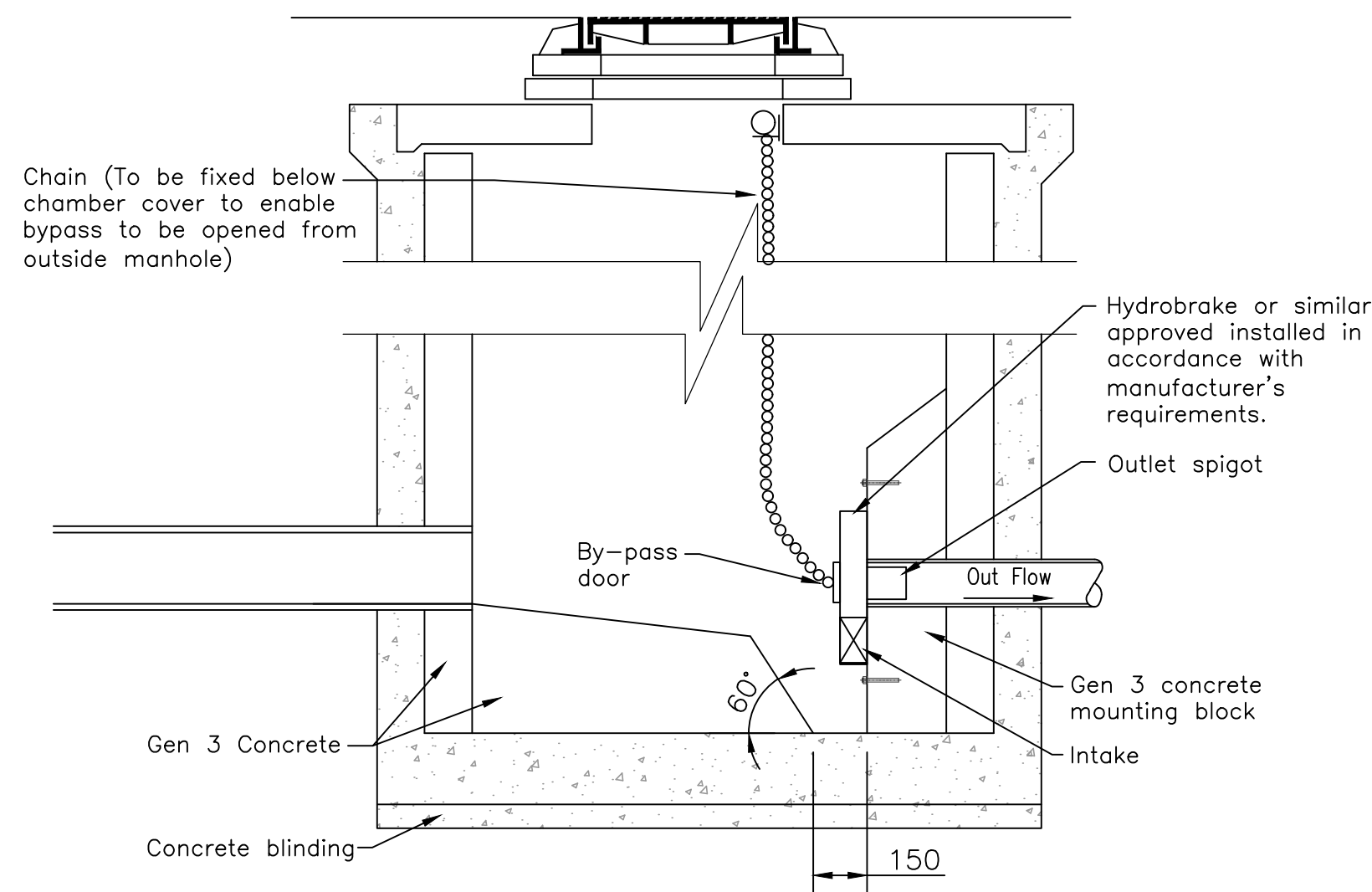
HYDROBRAKE CHAMBER (PLAN)



SILT TRAP WITH A HEAVY DUTY D400 COVER



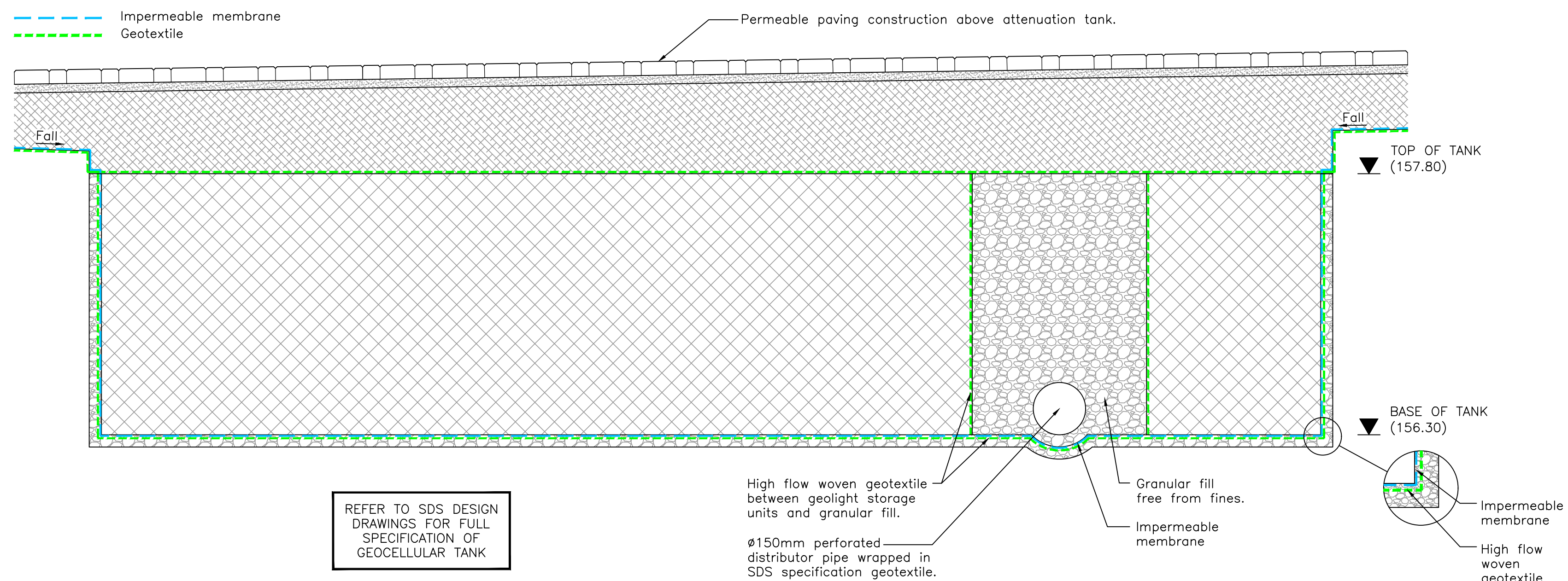
TYPICAL WAVIN RANGE 450/600 INSPECTION CHAMBER DETAIL (R450/600)



HYDROBRAKE CHAMBER (SECTION)

Notes:

1. Chamber cover to be positioned directly above by-pass door.
2. Dimensions are indicative only and are dependant on type of control device used. Refer to manufacturer's specifications for details.
3. Hydrobrake flow control chamber to limit flows to 2.1 l/s for all storm events up to & including the 1 in 100 year storm plus 30% allowance for climate change. hydrobrake type - MD-SHE-0076-2100-0800-2100 design head - 0.80m orifice diameter - 0.076m
4. For chamber construction details refer to surface water catchpit manhole construction details.



REFER TO SDS DESIGN DRAWINGS FOR FULL SPECIFICATION OF GEOCELLULAR TANK

TYPICAL SDS SECTION THROUGH ATTENUATION TANK

INITIAL ISSUE	EL	07.02.24
REVISION	BY	DATE

DRAWING STATUS
PRELIMINARY

DRAWING TITLE
DRAINAGE DETAILS SHEET 2 OF 2

PROJECT
STEAM MILLS ROAD, CINDEFORD

simpson | tws
Unit B10
Elmbridge Court Business Park
Gloucester, GL3 1JZ
T: 01452 309 727
E: mail@simpsoneng.com
W: www.simpsoneng.com

London, Henley-on-Thames, Gloucester

Drawn	Chkd	Scales	Date
EL	AdC	1:20 @ A1	FEB 2024

Purpose of Issue
FOR PLANNING

Project Number	Drawing Number	Revision
P23-1026	102	-