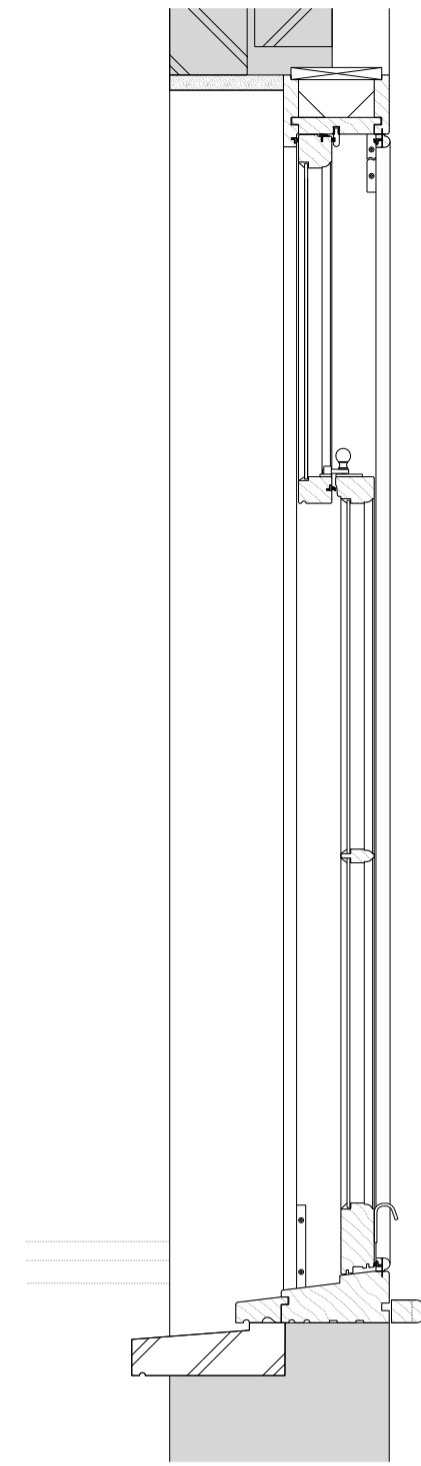
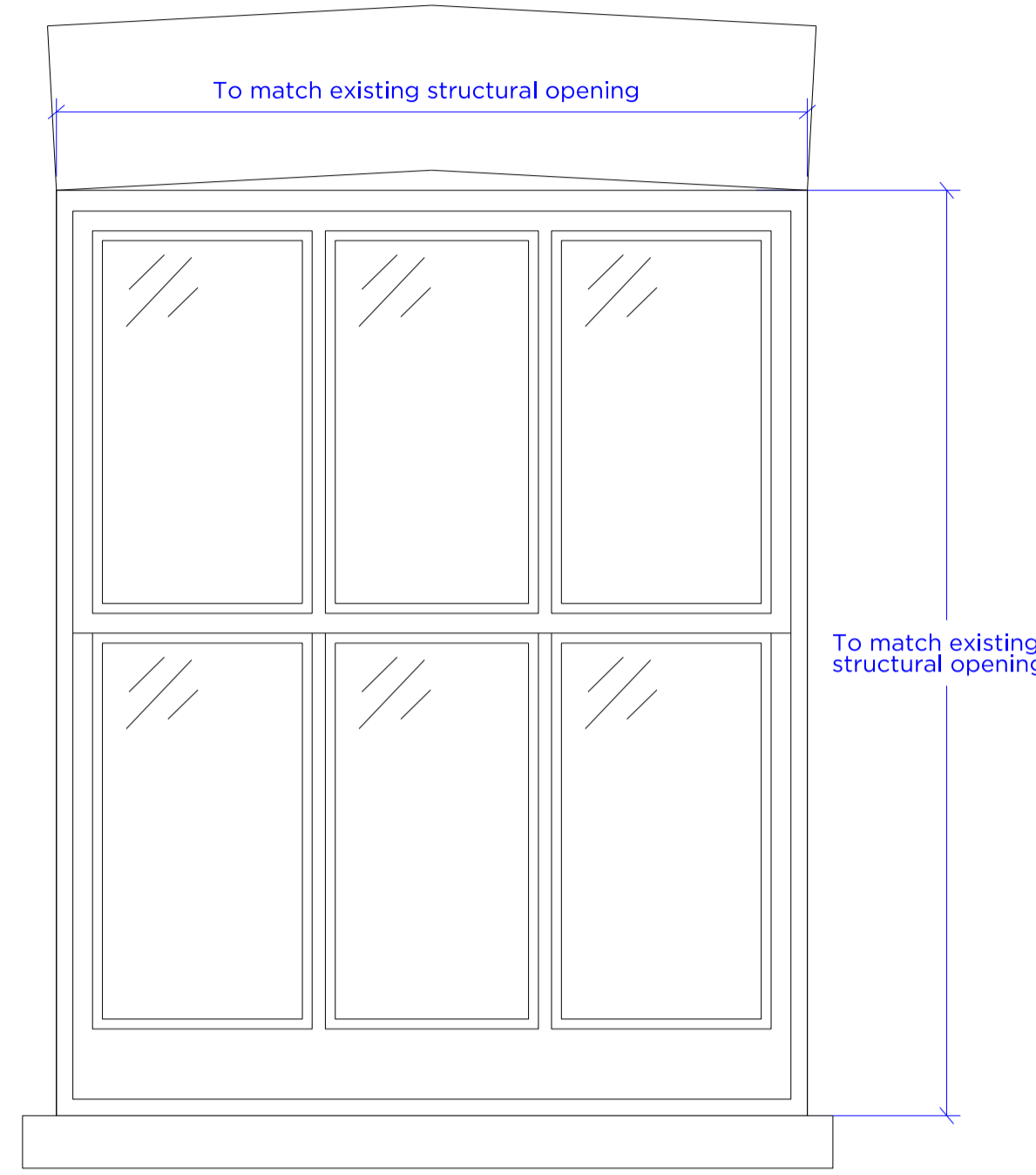


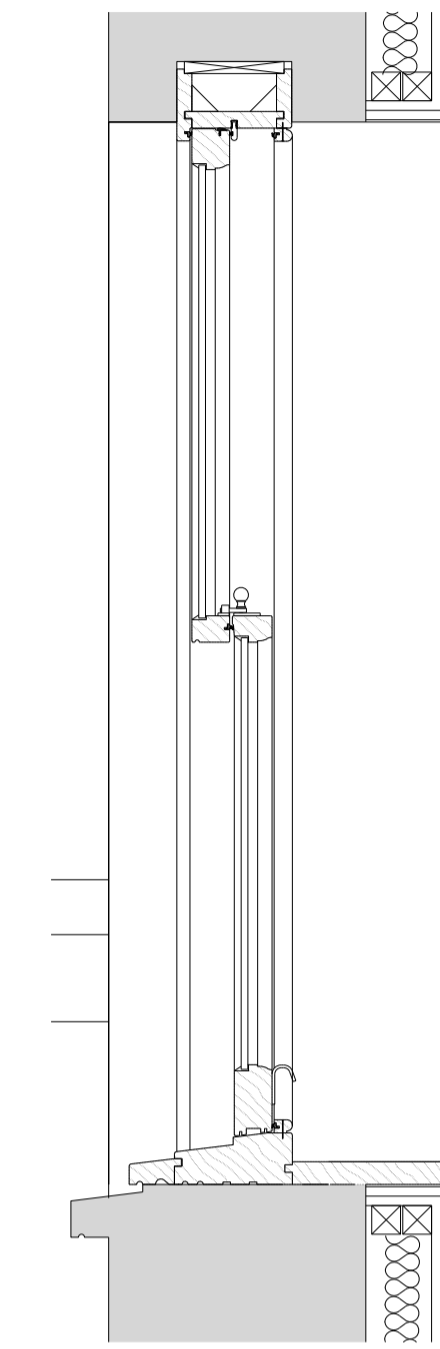
A6501
01 WIN-203 Elevation
1:10



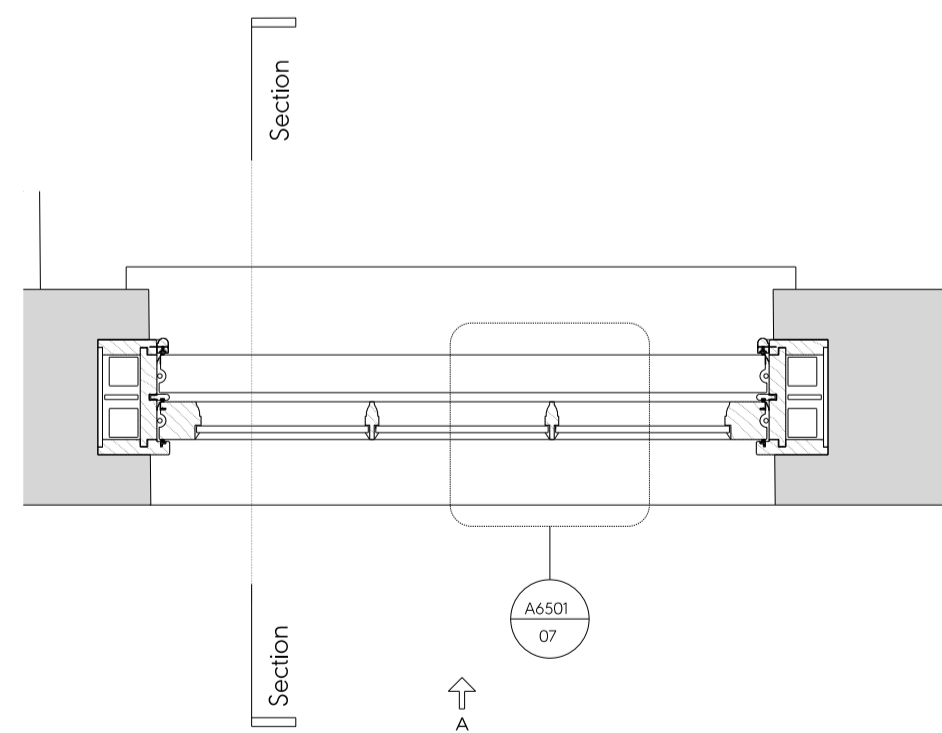
A6501
02 WIN-203 Section
1:10



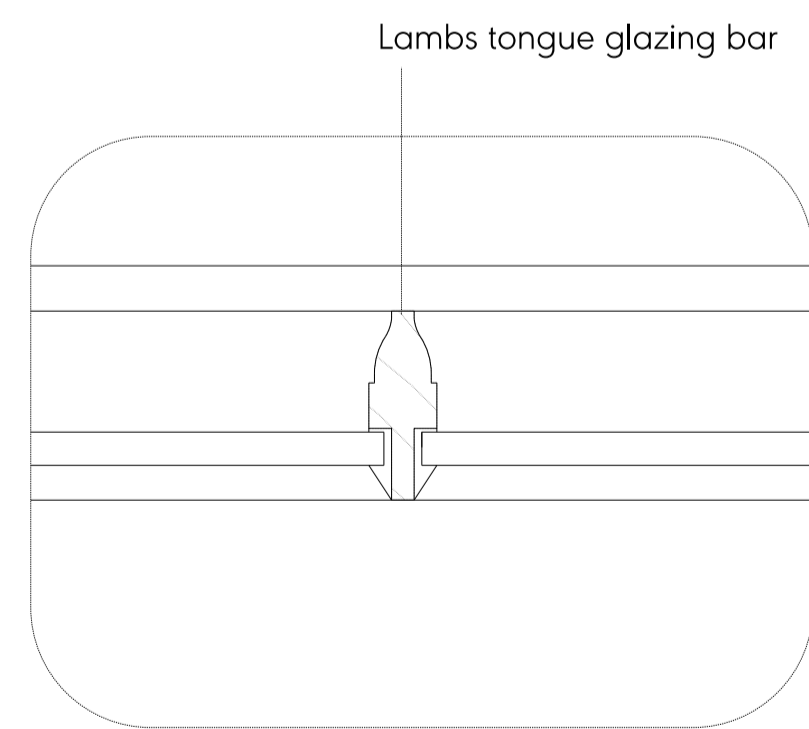
A6501
05 WIN-204 Elevation
1:10



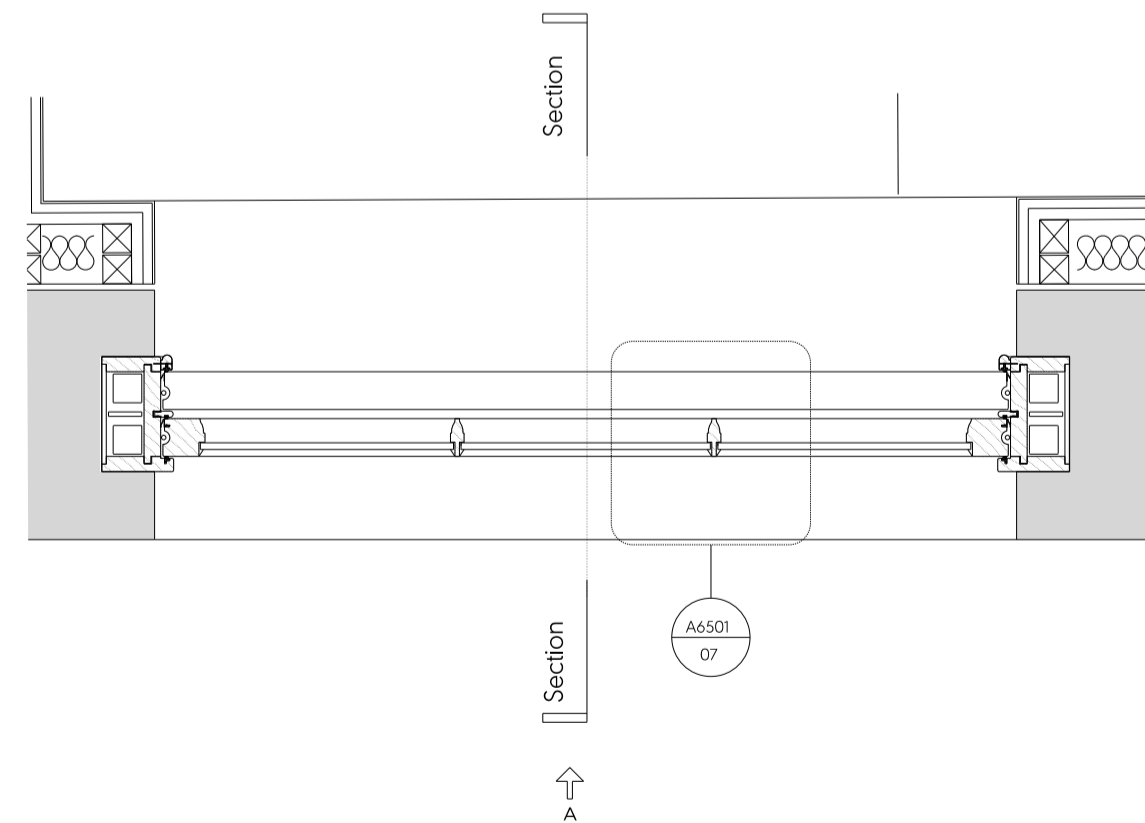
A6501
06 WIN-204 Section
1:10



A6501
03 WIN-203 Plan
1:10



A6501
07 Glazing Bar Detail
1:2



A6501
04 WIN-204 Plan
1:10

WIN-203 Locations:
Main House: WZ.01 Dressing Room 02
WIN-204 Locations:
Mews House: WM1.01 Garage WM1.02 Garage WM1.03 Bathroom

First Issue 12.04.24 Discharge of Conditions

PLANNING

Project No. 22006
 Client Private Client
 Date April 2024
 Scale 1:20 @ A1 / 1:40 @ A3
 Project 19 Hanover Terrace, NW1 4RJ

Drawing Title: Window Types 203 & 204
 Drawing No. A_6501 Rev. -
 Drawn MT Approved LG Signed MW

Marek Wojciechowski Architects

66-68 Margaret Street W1W 8SR T. 020 7580 9336 www.mwa.co.uk
 Copyright Marek Wojciechowski Architects. No implied license exists. This drawing should not be used to calculate areas for the purposes of valuation. All dimensions to be checked on site by the contractor and with agreement to be their responsibility. Do not scale drawings. All work must comply with relevant British Standards and Building Regulations requirements. Drawing errors and omissions to be reported to the architect.

