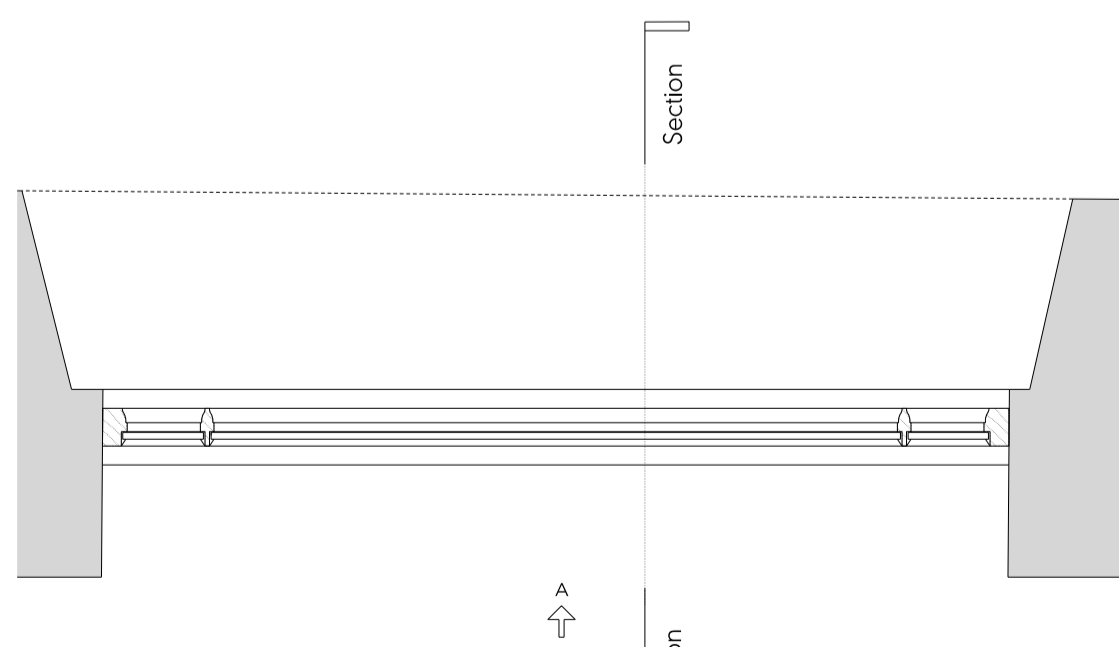
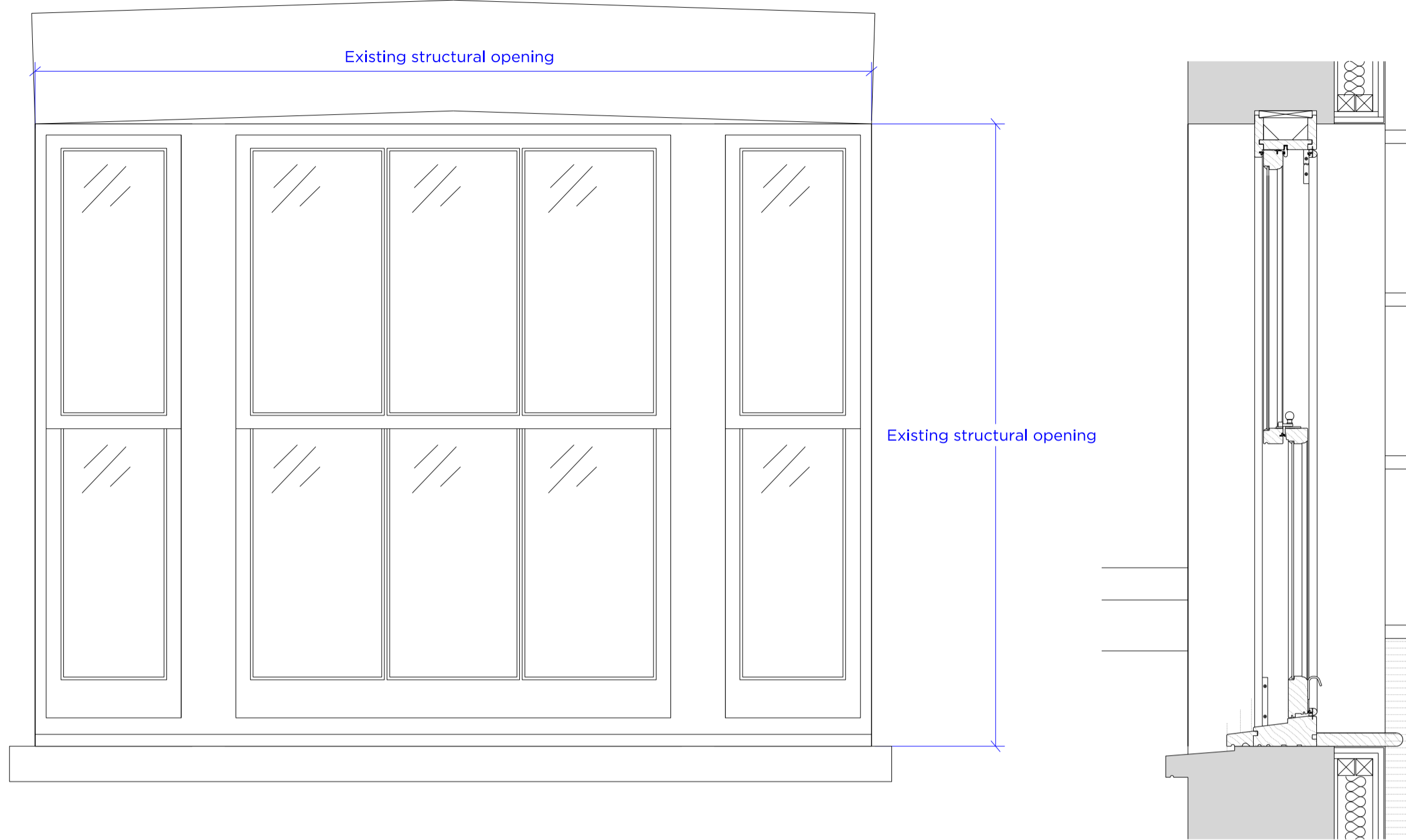


A6500 02 WIN-201 Elevation A
1:10

A6500 03 WIN-201 Section
1:10

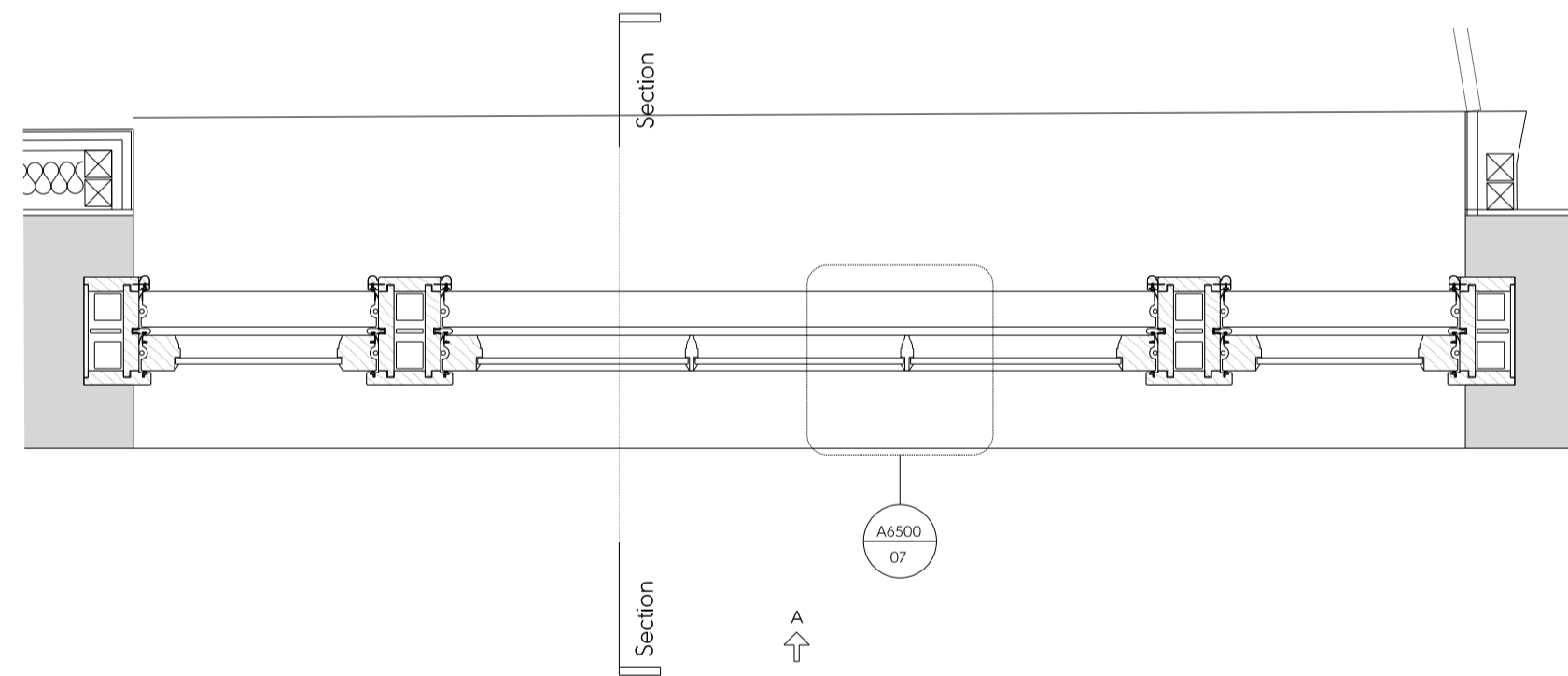


A6500 01 WIN-201 Plan
1:10

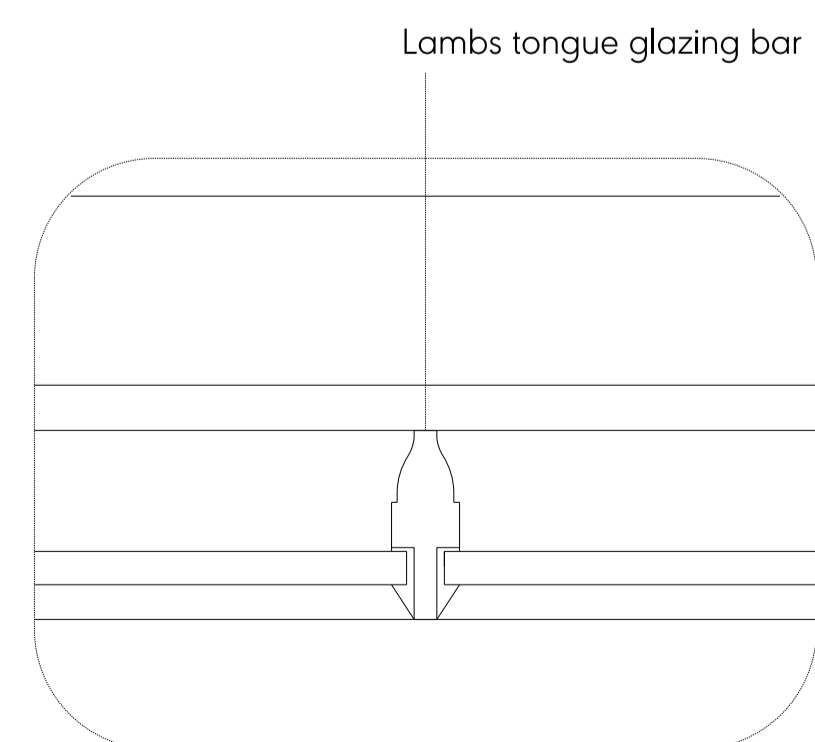


A6500 05 WIN-202 Elevation
1:10

A6500 06 WIN-202 Section
1:10



A6500 04 WIN-202 Plan
1:10



A6500 07 Glazing Bar Detail
1:2

WIN-201 Locations:	
Main House:	DEG.01 Entrance Hall
WIN-202 Locations:	
Main House:	WG.01 Bedroom 01
Mews House:	WM1.04 Mezzanine

First Issue 12.04.24 Discharge of Conditions

PLANNING

Project No. 22006
 Client Private Client
 Date April 2024
 Scale 1:20 @ A1 / 1:40 @ A3
 Project 19 Hanover Terrace, NW1 4RJ

Drawing Title: Window Types 201 & 202

Drawing No. A_6500 Rev. -

Drawn	Approved	Signed
MT	LG	MW

Marek Wojciechowski Architects

66-68 Margaret Street W1W 8SR T. 020 7580 9336 www.mwa.co.uk

Copyright Marek Wojciechowski Architects. No implied license exists. This drawing should not be used to calculate areas for the purposes of valuation. All dimensions to be checked on site by the contractor and with agreement to be their responsibility. Do not scale drawings. All work must comply with relevant British Standards and Building Regulations requirements. Drawing errors and omissions to be reported to the architect.

