



3350 Existing Clear Opening
3450 Between Kerbs



		UNLESS OTHERWISE SPECIFIED: DIMENSIONS ARE IN MILLIMETERS DEBUR AND BREAK SHARP EDGES	DO NOT SCALE DRAWING Copyright (c) 2024
Unit 3 Teardrop Centre, London Road, Farningham Swanley, Kent, BR8 8TS www.securafit.co.uk		Description Great Bragmans Farm New Entrance Gate	
DRAWN: AGS	DATE: 24/01/2024	DWG no. 04428.01-1000 - 03	A3
MATERIAL: Mild Steel		SCALE: 1:100 SHEET 1 OF 5	
FINISH: galv & ppc			
COLOUR: ral 9005 black			



Unit 3 Teardrop Centre,
London Road, Farningham
Swanley, Kent,
BR8 8TS
www.securafit.co.uk

DRAWN: AGS DATE: 24/01/2024

MATERIAL: Mild Steel

FINISH: galv & ppc

COLOUR: ral 9005 black

UNLESS OTHERWISE SPECIFIED:
DIMENSIONS ARE IN MILLIMETERS
DEBUR AND BREAK SHARP EDGES

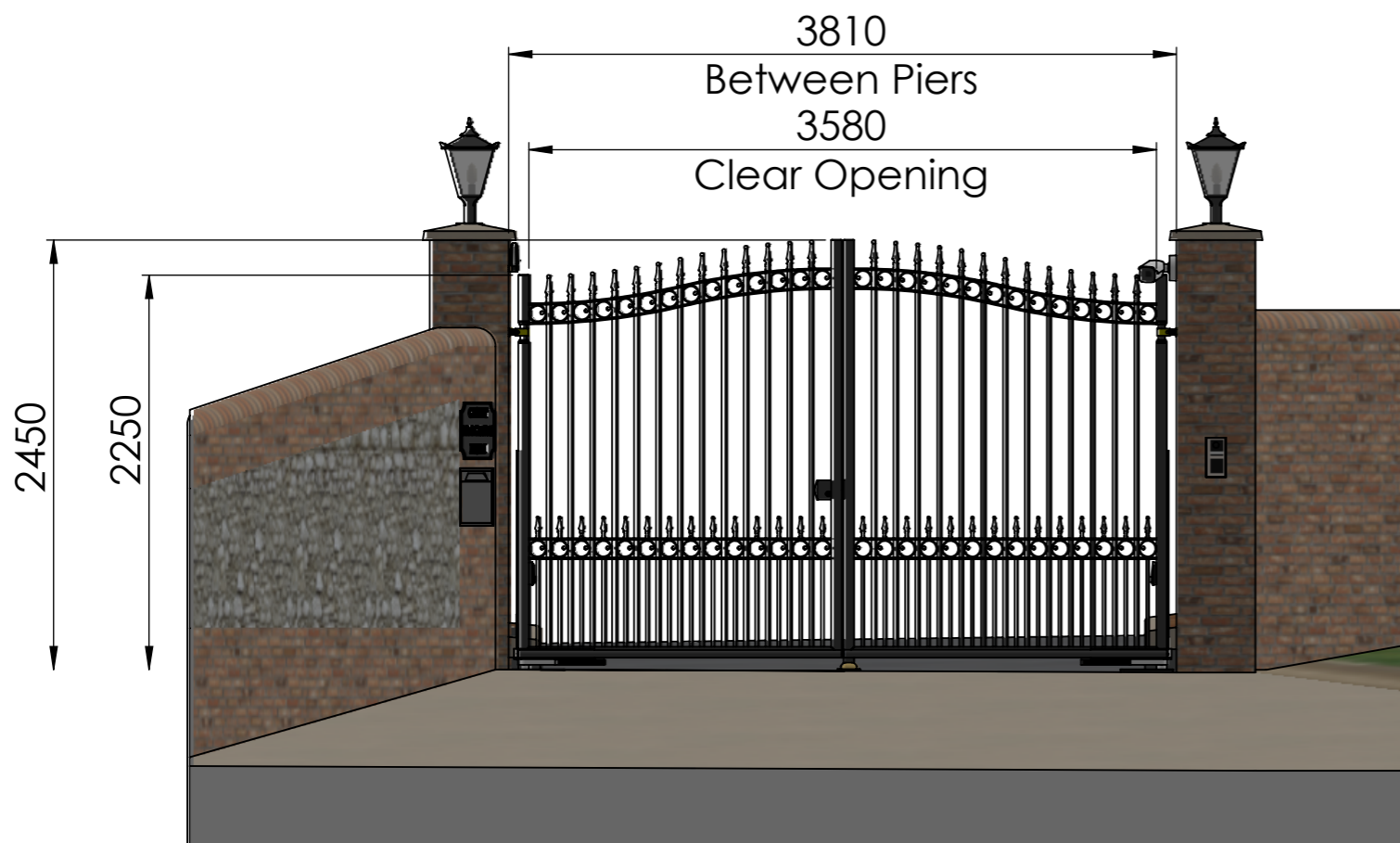
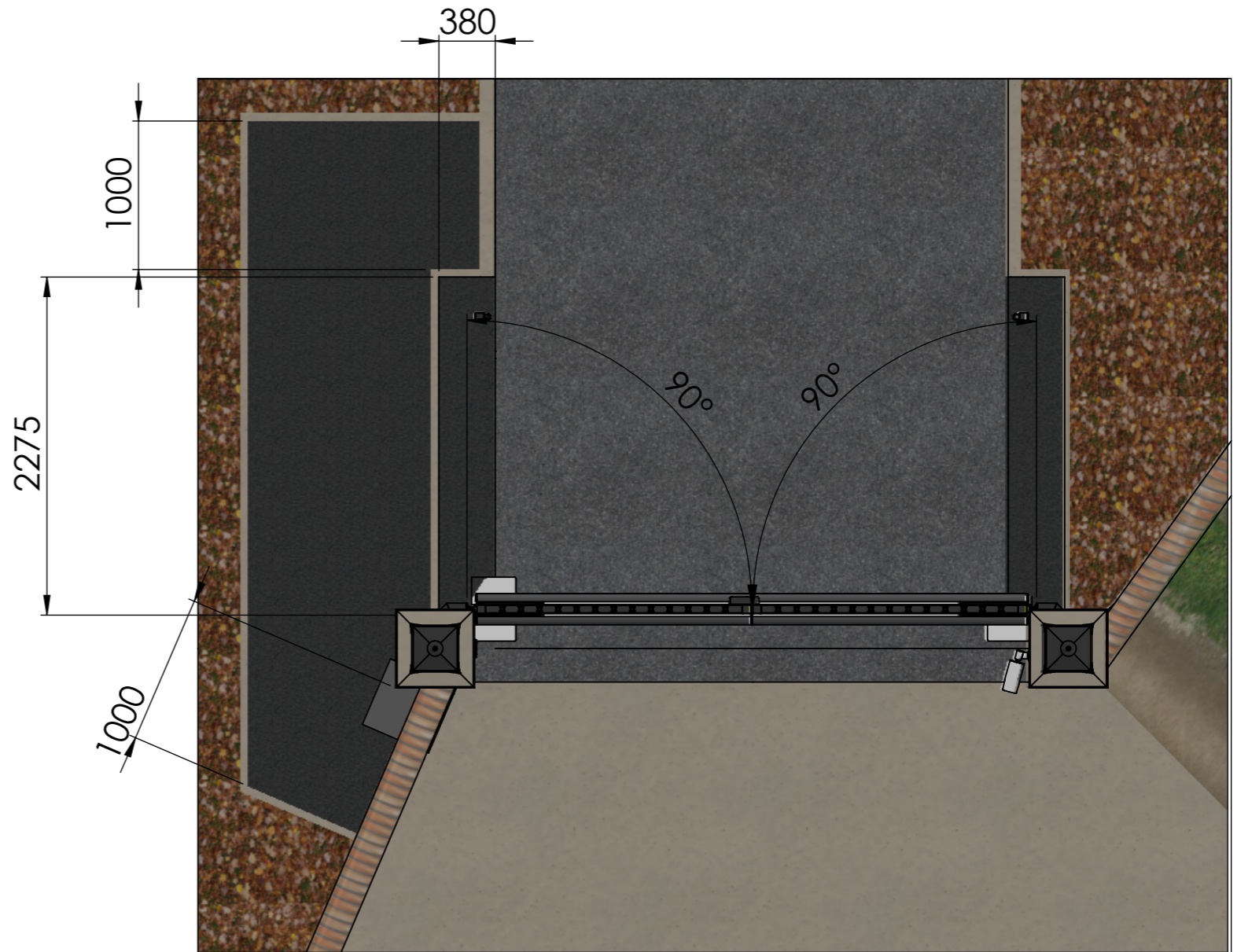
DO NOT SCALE DRAWING
Copyright (c) 2023

Description
**Great Bragmans Farm New
Entrance Gate**

DWG no. **04428.01-1000 - 03**

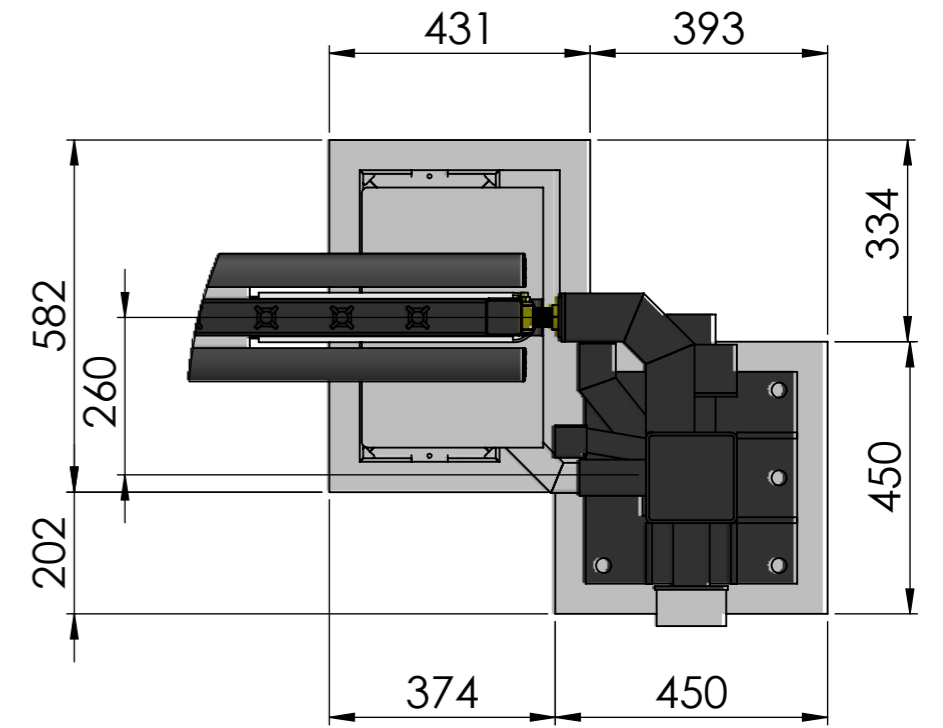
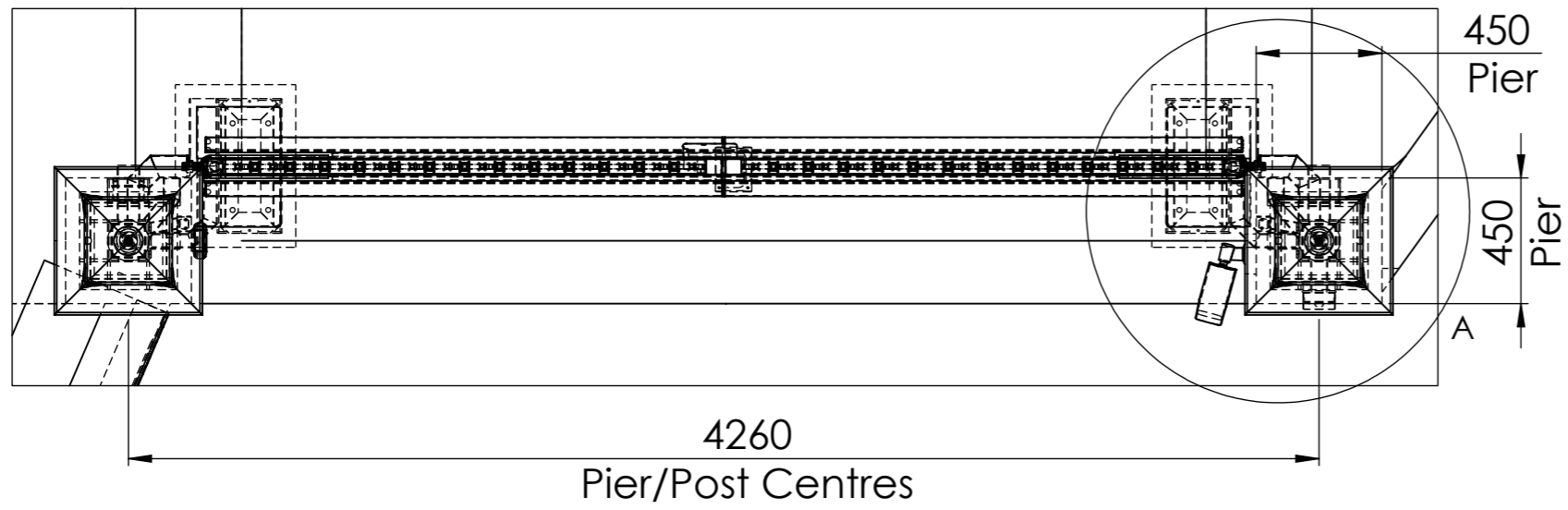


SCALE: 1:100 SHEET 3 OF 5



- Inground Motors
- Electric Strike Lock
- Decorative Railing Infill
- Parcel Drop Box in LH Wall with pathway
- Recessed Kerbs
- 3810mm Between Piers (currently 3640mm)
- Ground Probe Exit
- Single height photo beams
- Entry Intercom (supplied by client)
- ANPR Camera (supplied by client)

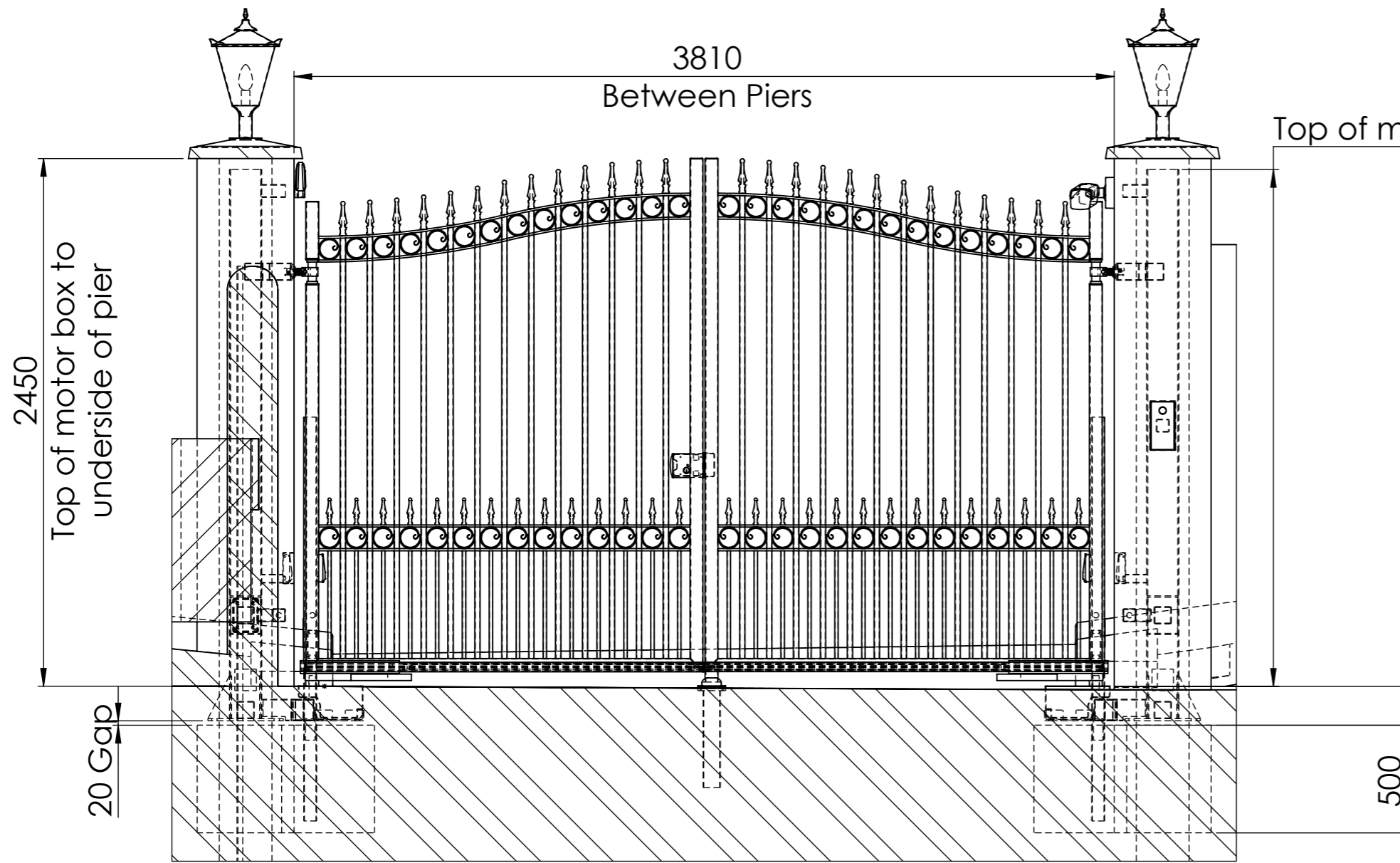
		UNLESS OTHERWISE SPECIFIED: DIMENSIONS ARE IN MILLIMETERS DEBUR AND BREAK SHARP EDGES	DO NOT SCALE DRAWING Copyright (c) 2023
Unit 3 Teardrop Centre, London Road, Farningham Swanley, Kent, BR8 8TS www.securafit.co.uk		Description Great Bragmans Farm New Entrance Gate	
DRAWN	AGS	DATE	24/01/2024
MATERIAL: Mild Steel		DWG no. 04428.01-1000 - 03	
FINISH: galv & ppc			
COLOUR: ral 9005 black		SCALE:1:40	SHEET 4 OF 5



2400

Top of motor box to top of post

DETAIL A
SCALE 2 : 25



Unit 3 Teardrop Centre,
London Road, Farningham
Swanley, Kent,
BR8 8TS
www.securafit.co.uk

DRAWN: AGS DATE: 24/01/2024

MATERIAL: Mild Steel

FINISH: galv & ppc

COLOUR: ral 9005 black

UNLESS OTHERWISE SPECIFIED:
DIMENSIONS ARE IN MILLIMETERS
DEBUR AND BREAK SHARP EDGES

DO NOT SCALE DRAWING
Copyright (c) 2024

Description
Great Bragmans Farm New
Entrance Gate

DWG no.
04428.01-1000 - 03

A3



SCALE: 1:25 SHEET 5 OF 5