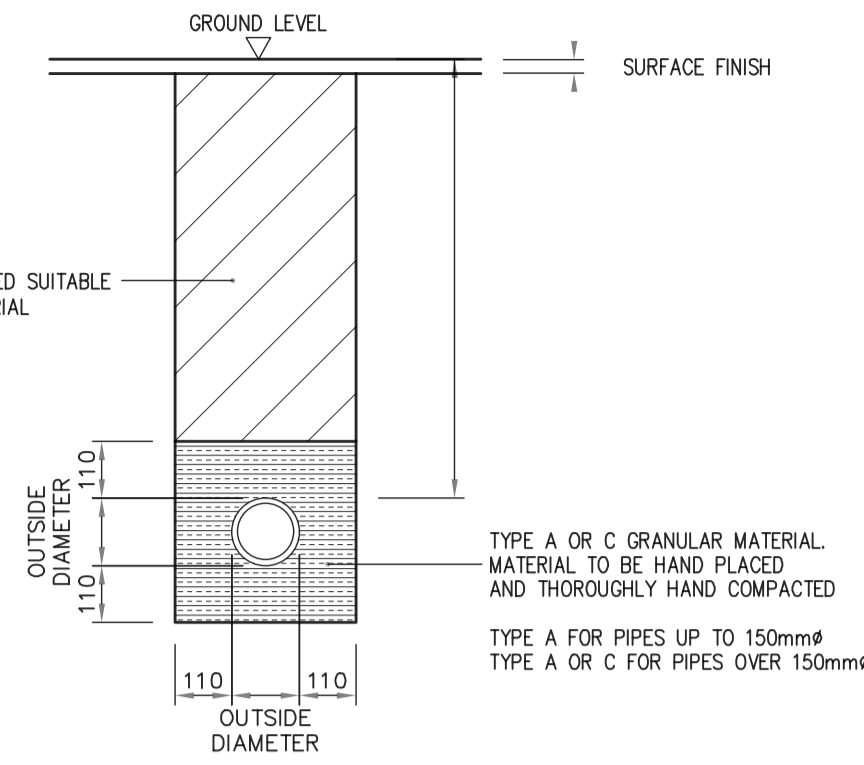


- All works to be carried out in accordance with the following:-
1. UK water industry research ltd. 'Civil Engineering Specification for the water Industry, 5th Edition.
 2. WATER UK, 'Sewers for Scotland'
 3. BE EN 752 Drain and Sewers Systems outside buildings.

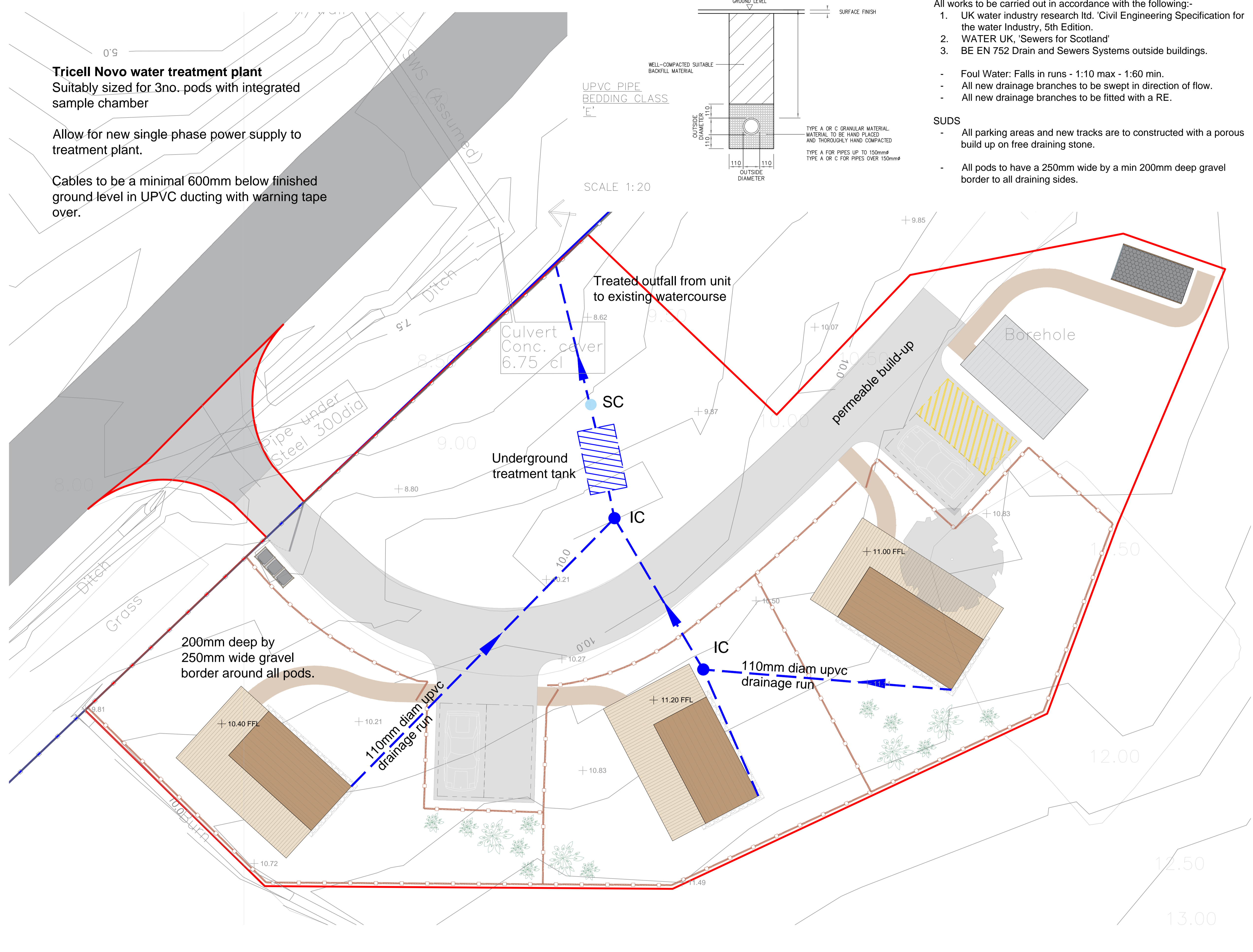
- Foul Water: Falls in runs - 1:10 max - 1:60 min.
- All new drainage branches to be swept in direction of flow.
- All new drainage branches to be fitted with a RE.

SUDS

- All parking areas and new tracks are to constructed with a porous build up on free draining stone.
- All pods to have a 250mm wide by a min 200mm deep gravel border to all draining sides.



SCALE 1:20



Tricell Novo water treatment plant
 Suitably sized for 3no. pods with integrated sample chamber

Allow for new single phase power supply to treatment plant.

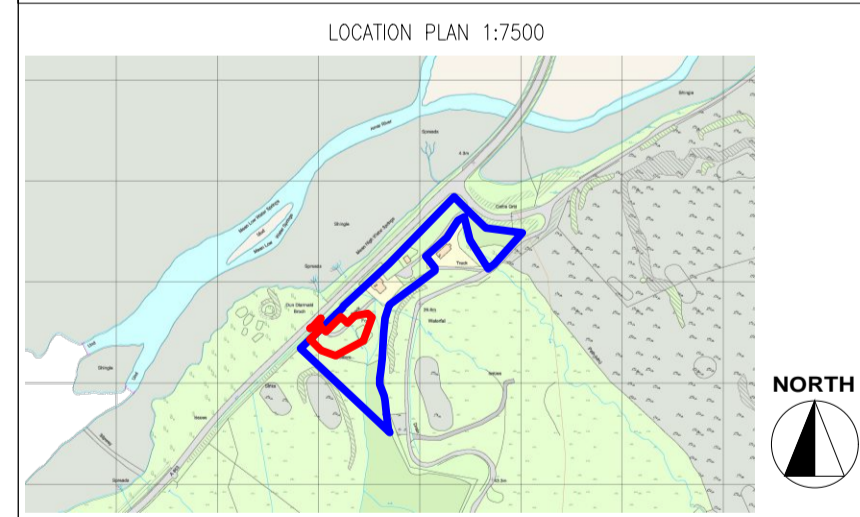
Cables to be a minimal 600mm below finished ground level in UPVC ducting with warning tape over.

KEY TO SYMBOLS

- FOUL WATER DRAINAGE RUN
- SURFACE WATER DRAINAGE RUN
- EXISTING WATERCOURSE
- IC INSPECTION CHAMBER
- SC SAMPLE CHAMBER
- WATER TREATMENT PLANT

Date	Description	Rev	By
29.03.24	Add data from topo, adjust pod positions	A	XD

Revision Description



Project:
 Proposed Glamping Site - For Keith Mabbott
 2 Coillore, Struan, Isle of Skye
 IV56 8FX

Drawing Title:
 PROPOSED DRAINAGE PLAN

Drawing Number:
 231221-01-04

Revision: A
Date: 16.01.2024
Scale: 1:100 @ A1
Drawn By: XD
CAD Dwg File: -
Checked By: -

Issue Status:
 Full Planning Application

OWNERSHIP BOUNDARY
 AREA = 1.1 ha.

SITE BOUNDARY
 SITE AREA = 1,470 m2

