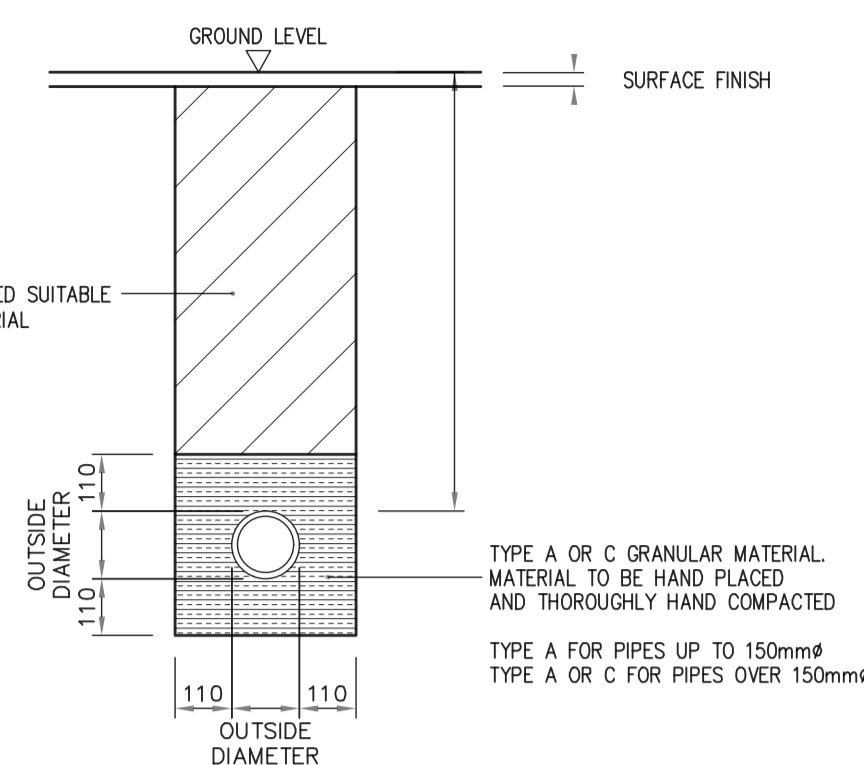


- All works to be carried out in accordance with the following:-
1. UK water industry research ltd. 'Civil Engineering Specification for the water Industry, 5th Edition.
 2. WATER UK, 'Sewers for Scotland'
 3. BE EN 752 Drain and Sewers Systems outside buildings.

- Foul Water: Falls in runs - 1:10 max - 1:60 min.
- All new drainage branches to be swept in direction of flow.
- All new drainage branches to be fitted with a RE.

SUDS

- All parking areas and new tracks are to be constructed with a porous build up on free draining stone.
- All pods to have a 250mm wide by a min 200mm deep gravel border to all draining sides.



SCALE 1:20

Tricell Novo water treatment plant
Suitably sized for 3no. pods with integrated sample chamber

Allow for new single phase power supply to treatment plant.

Cables to be a minimal 600mm below finished ground level in UPVC ducting with warning tape over.

Treated outfall from unit to existing watercourse

existing culvert under site access to be retained

Underground treatment tank

existing watercourse diverted under new track via culvert

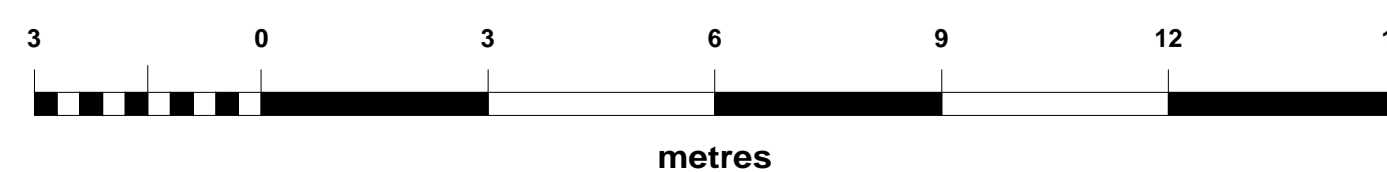
200mm deep by 250mm wide gravel border around all pods.

110mm diam upvc drainage run

110mm diam upvc drainage run

existing watercourse will run beneath proposed pod

OWNERSHIP BOUNDARY
AREA = 1.1 ha.
SITE BOUNDARY
SITE AREA = 1,470 m2

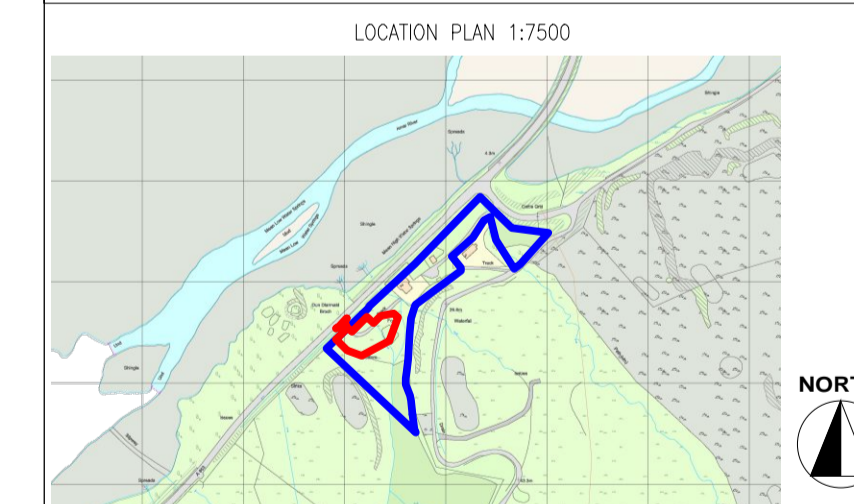


KEY TO SYMBOLS

- FOUL WATER DRAINAGE RUN
- SURFACE WATER DRAINAGE RUN
- EXISTING WATERCOURSE
- IC INSPECTION CHAMBER
- SC SAMPLE CHAMBER
- WATER TREATMENT PLANT

Date	Description	Rev	By

Revision Description



Project:
Proposed Glamping Site - For Keith Mabbott
2 Coillire, Struan, Isle of Skye
IV56 8FX

Drawing Title:
PROPOSED DRAINAGE PLAN

Drawing Number:
231221-01-04

Revision: -
Date: 16.01.2024
Scale: 1:100 @ A1
Drawn By: XD
CAD Dwg File: -
Checked By: -

Issue Status:
Full Planning Application

