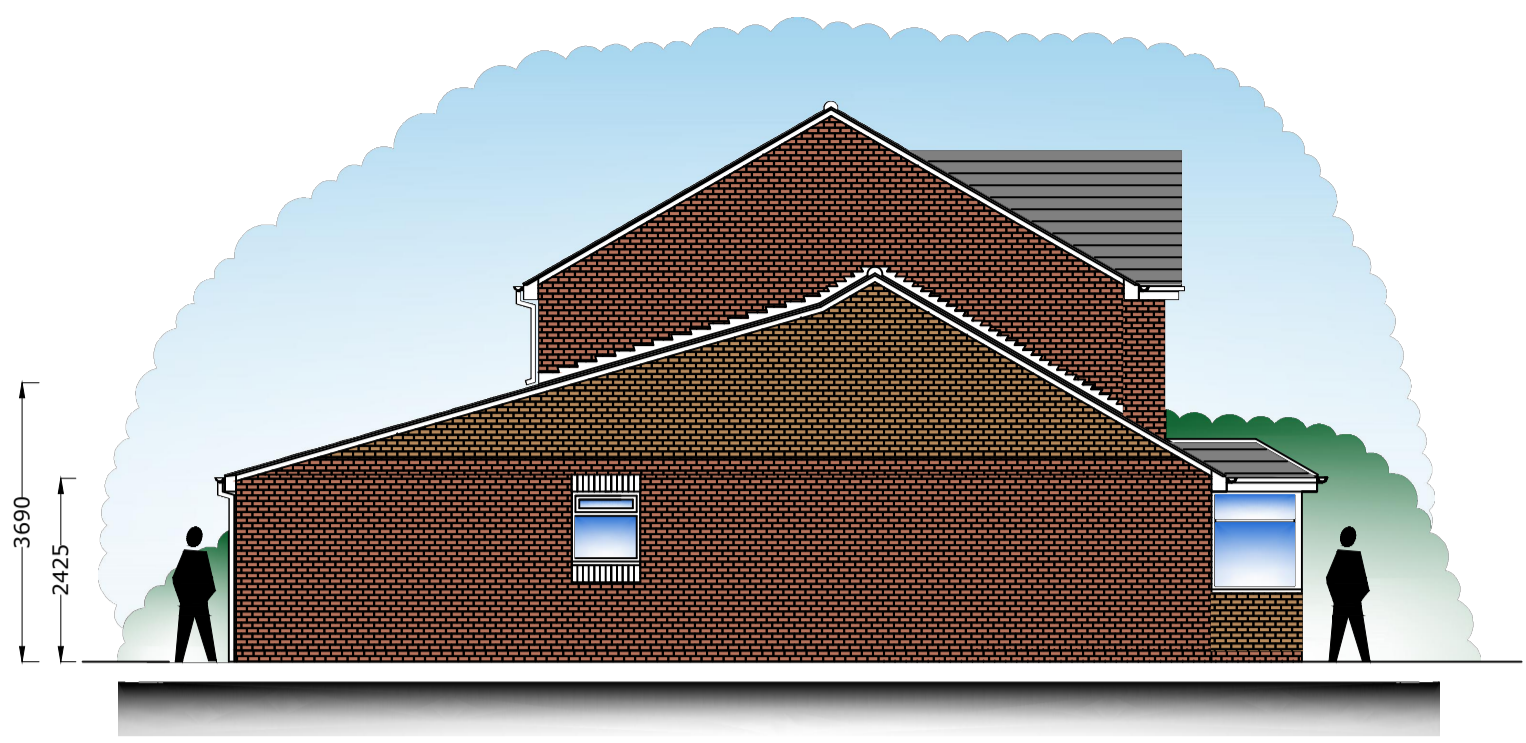
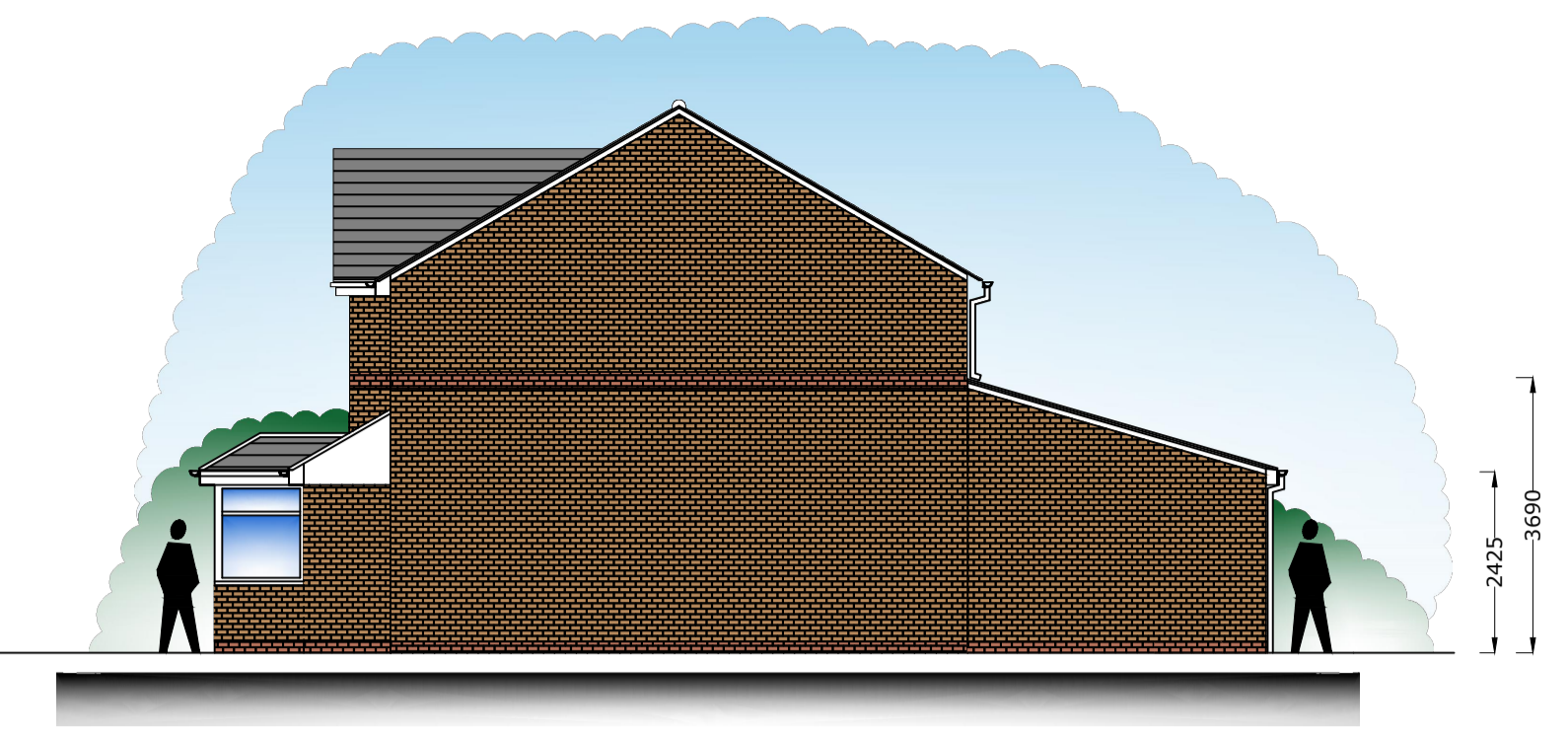




PROPOSED REAR ELEVATION



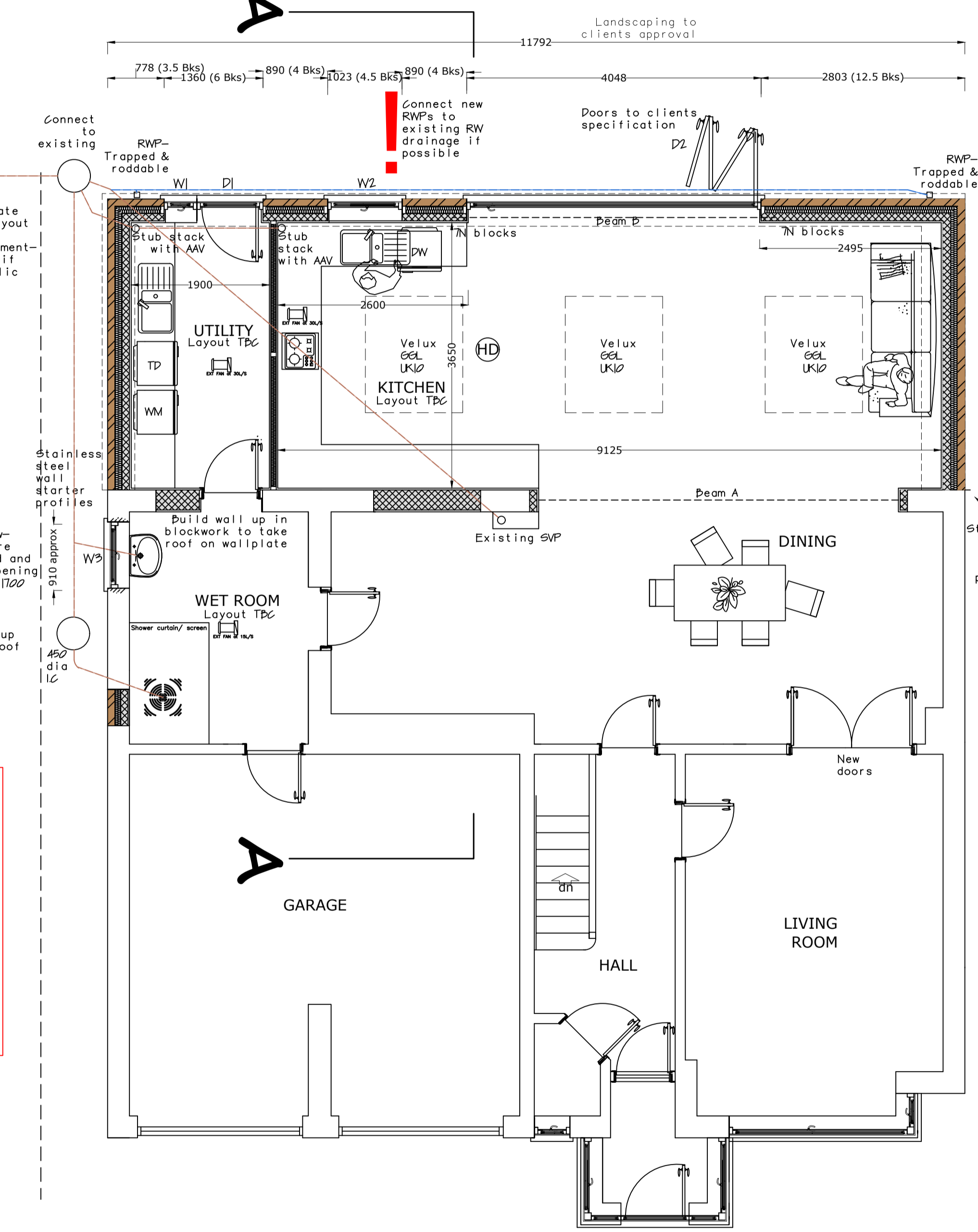
PROPOSED SIDE ELEVATION



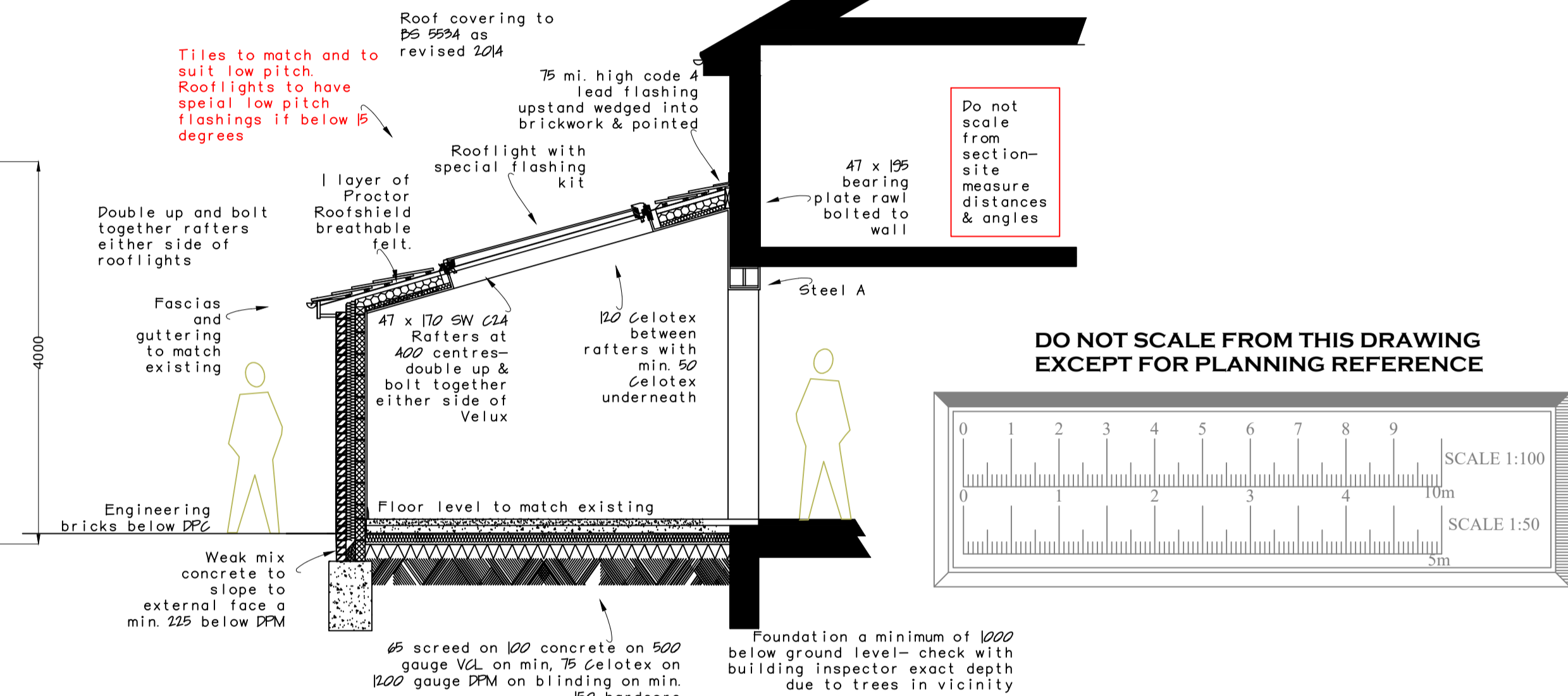
PROPOSED SIDE ELEVATION

GENERAL NOTES.
 NO DIMENSIONS TO BE TAKEN FROM THIS DRAWING. ALL DIMENSIONS STATED ARE METRIC MILLIMETRES. ALL LEVELS, INVERTS AND DIMENSIONS TO BE CHECKED ON SITE BEFORE AND DURING WORK.
 ALL WORK IS TO BE CARRIED OUT IN LINE WITH CURRENT BUILDING REGULATIONS, RELEVANT CODES OF PRACTICE, BRITISH & EUROPEAN STANDARDS AND MANUFACTURERS SPECIFICATIONS TO THE BUILDING INSPECTORS SATISFACTION, AND IN ACCORDANCE WITH PUBLIC AND PRIVATE UTILITIES REGULATIONS.
 NO WORK TO ENCRoACH BOUNDARY LINES.
 IT IS THE CLIENTS RESPONSIBILITY TO ISSUE ANY 'PARTY WALL ACT 1996' NOTICE NECESSARY BEFORE ANY WORK COMMENCES ON THE BOUNDARY.
 IT IS THE CLIENTS RESPONSIBILITY TO ENSURE ANY WORK SHOWN ON THIS PLAN DOES NOT CONTRAVENE ANY COVENANTS.
 IT IS THE CLIENTS/ BUILDERS RESPONSIBILITY TO CHECK THE EXACT POSITION OF ALL SERVICES TO INCLUDE GAS, ELECTRICITY, WATER AND TELEPHONE, AND POSITION, OWNERSHIP AND DEPTHS OF FOUL AND RAINWATER DRAINAGE.

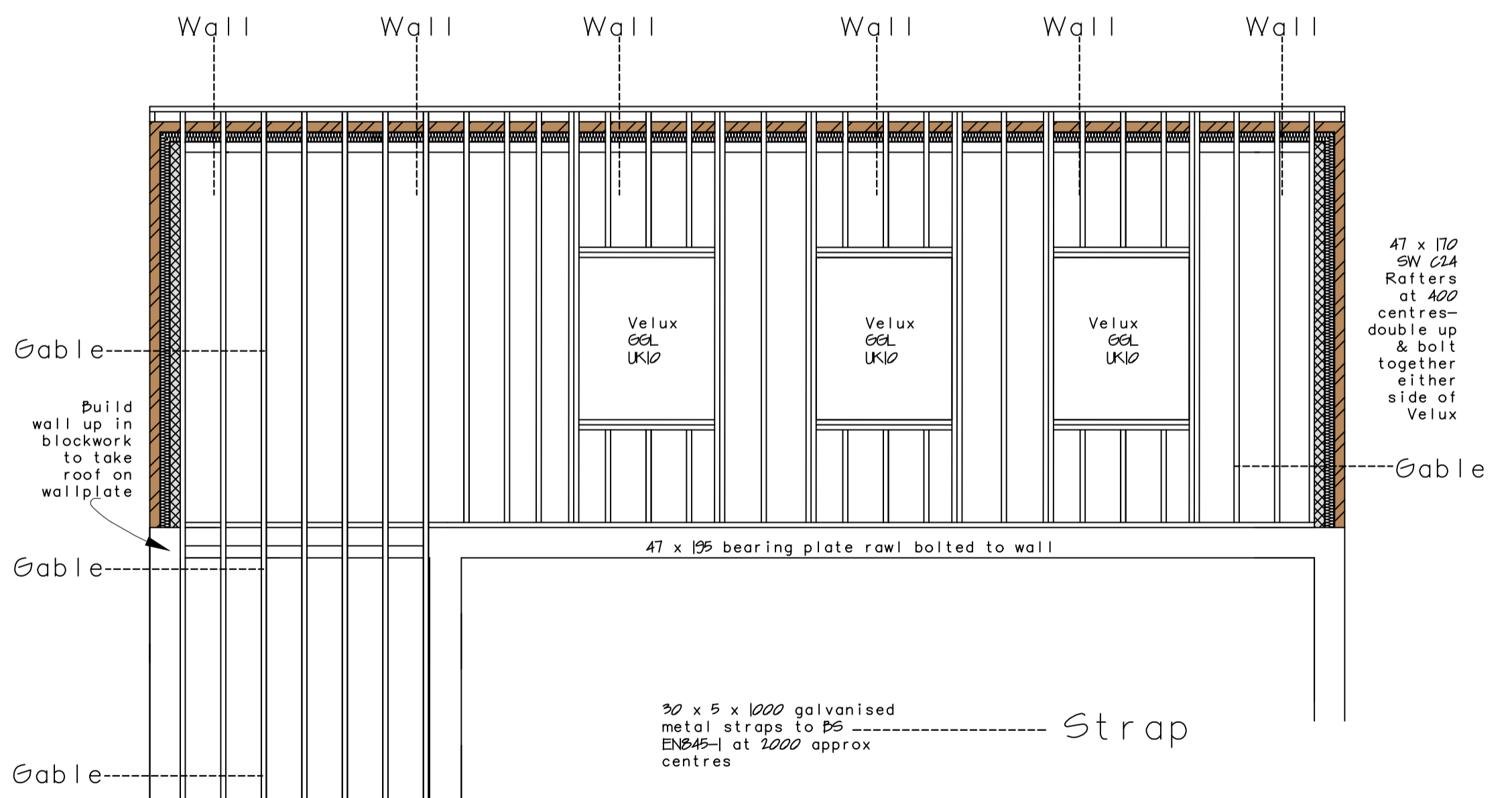
THE EXACT SPECIFICATION OF FINISHES, FITTINGS AND SERVICES TO BE INSTRUCTED BY THE CLIENT. ANY DEVIATION FROM THESE PLANS SHOULD BE NOTIFIED TO THE LA BUILDING INSPECTOR AND AMLI DESIGN. IT IS THE CONTRACTORS RESPONSIBILITY TO NOTIFY THE BUILDING INSPECTOR WHEN THE WORK IS READY FOR THE RELEVANT INSPECTIONS AND FOR THE CLIENTS RECEIPT OF THE COMPLETION CERTIFICATE.
 IT IS ASSUMED NO PUBLIC SEWERS CROSS THE SITE.
 THE CONTRACTOR IS ASSUMED TO HAVE VISITED SITE BEFORE TENDERING. THIS DRAWING HAS BEEN PREPARED FOR LA PLANNING & BUILDING CONTROL CONSENT ONLY. UNTIL APPROVALS HAVE BEEN OBTAINED THESE DRAWINGS REMAIN PRELIMINARY. WORK SHOULD NOT COMMENCE OR MATERIALS ORDERED UNTIL APPROVAL IS OBTAINED.
 COPYRIGHT REMAINS WITH AMLI DESIGN.



PROPOSED GROUND FLOOR



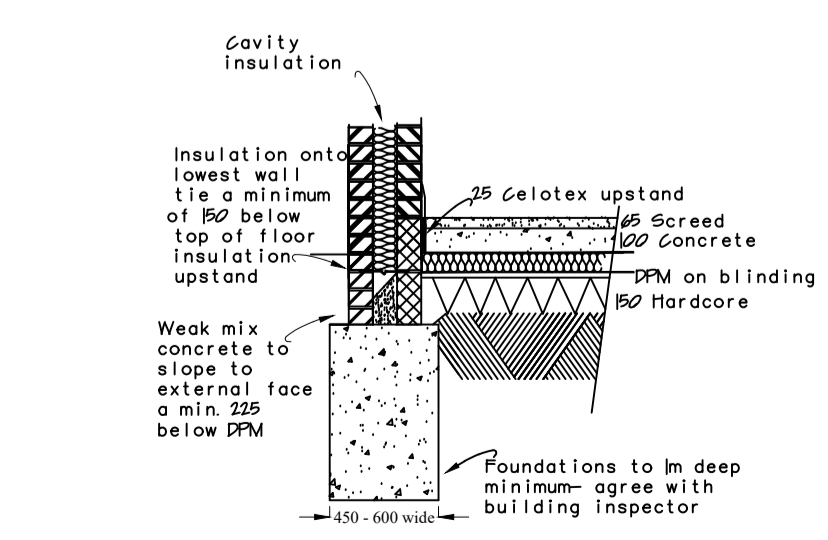
SECTION A - A



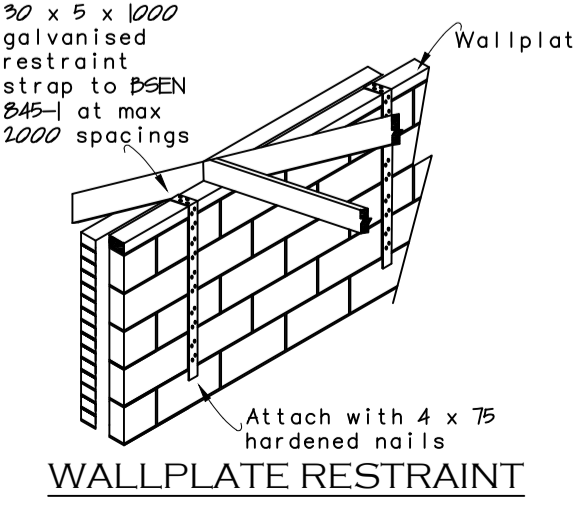
INDICATIVE ROOF TIMBER LAYOUT

- Rainwater to soakaway as notes a min. of 5m from building any and road. Builder to discuss with building inspector suitability of ground conditions and possibility of discharging to main drains before commencement.
- Investigate drain layout before commencement confirm if CTW public sewer
- 100 cavity walls with 100 Unilin Cavitytherm, or 30 Ecotherm Eco-Cavity Full Fill, or 30 Celotex Thermaclass Cavity Wall 21 insulation or similar
- New window - Obscure glazed and not opening under 1100
- Build gable wall up for roof

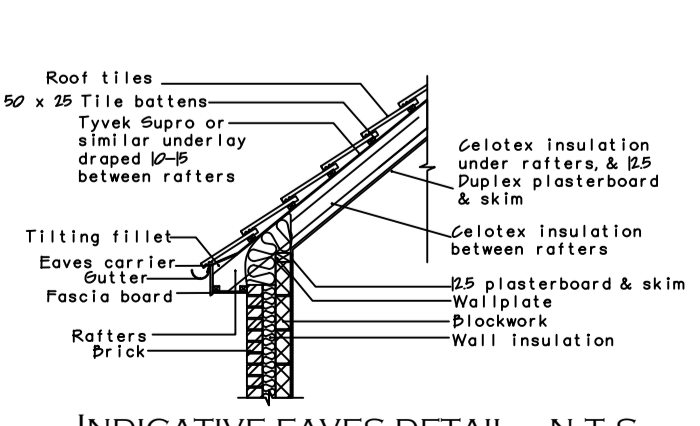
- Home owner to consider—
- Electrical socket positions
 - Light fitting positions and types
 - Light switch positions
 - External lighting
 - TV and internet points
 - Radiator positions
 - External power socket
 - External water tap
 - Floor finishes



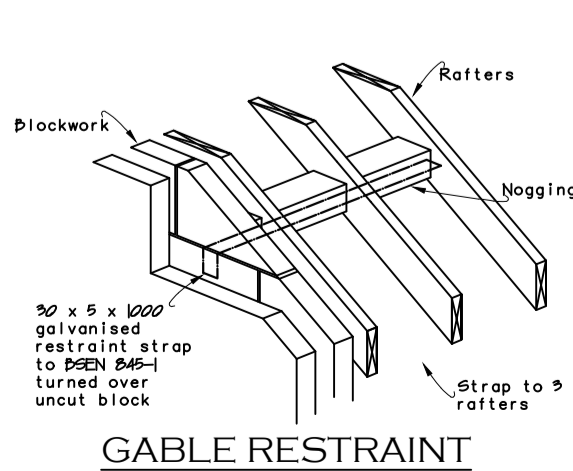
INDICATIVE FOUNDATION/FLOOR



WALLPLATE RESTRAINT



INDICATIVE EAVES DETAIL N.T.S



GABLE RESTRAINT

REV NO	DETAILS	DATE



PROJECT NAME
 SINGLE STOREY REAR EXTENSION AND ALTERATIONS
 4 SHERRARD WAY
 THORPE ASTLEY
 LEICESTERSHIRE LE3 3TN
 FOR MR K. CHUNG

SCALE 1:100/1:50 A1	DWG NO. 4SW/2021 2/2	REV A
---------------------------	----------------------------	----------

DATE AUG 2021	DRAWN DRI	CHKD MR K.C. 08/21
------------------	--------------	--------------------------

AMLI Design
 Architectural Consultancy

WATERVIEW HOUSE,
 160 BRISTALL ROAD,
 BRISTALL,
 LEICESTER LE4 4DF
 Telephone: 0116 410 90 60
 Mobile: 0774 907 111
 Email: info@amli-design.co.uk
 Web: www.amli-design.co.uk