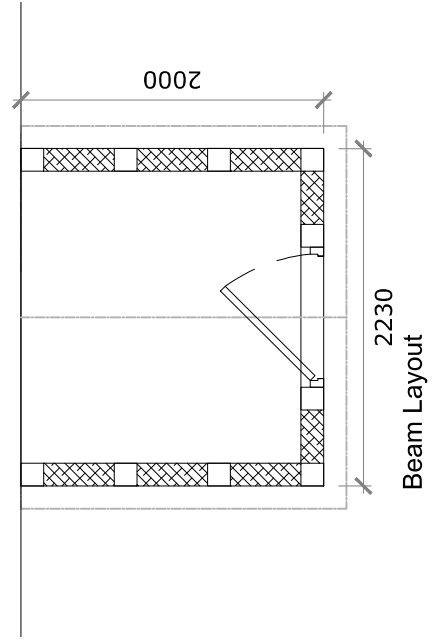
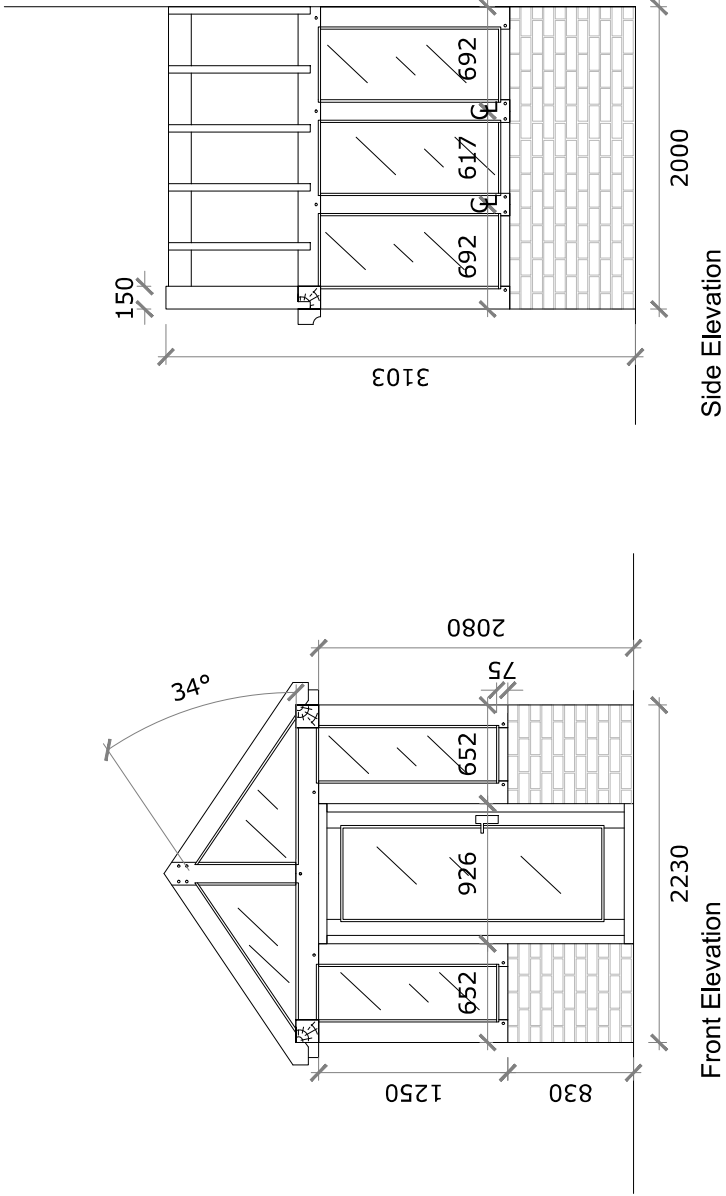


Notes:
 Do not scale from drawings. Any discrepancies, errors or omissions between site and drawing, to be notified to a member of the design team. All dimensions to be checked and verified before the commencement of any work of fabrication of components.

- Key:
- Internal slab level
 - Curved structural brace 1325mm
 - Curved structural brace 700mm
 - Diagonal straight wind brace
 - Diagonal roof brace
 - Sole plate
 - First floor joist
 - Independent post onto brick plinth (concrete sub-base beneath as necessary)
 - Post onto sole plate



Drawing number: 178
 Drawn by: SJ
 Scale: 1:50@A4
 Revision: A
 Date: 28/12/2023