



FREE UK DELIVERY



SITE SURVEYS



10 YEAR GUARANTEE

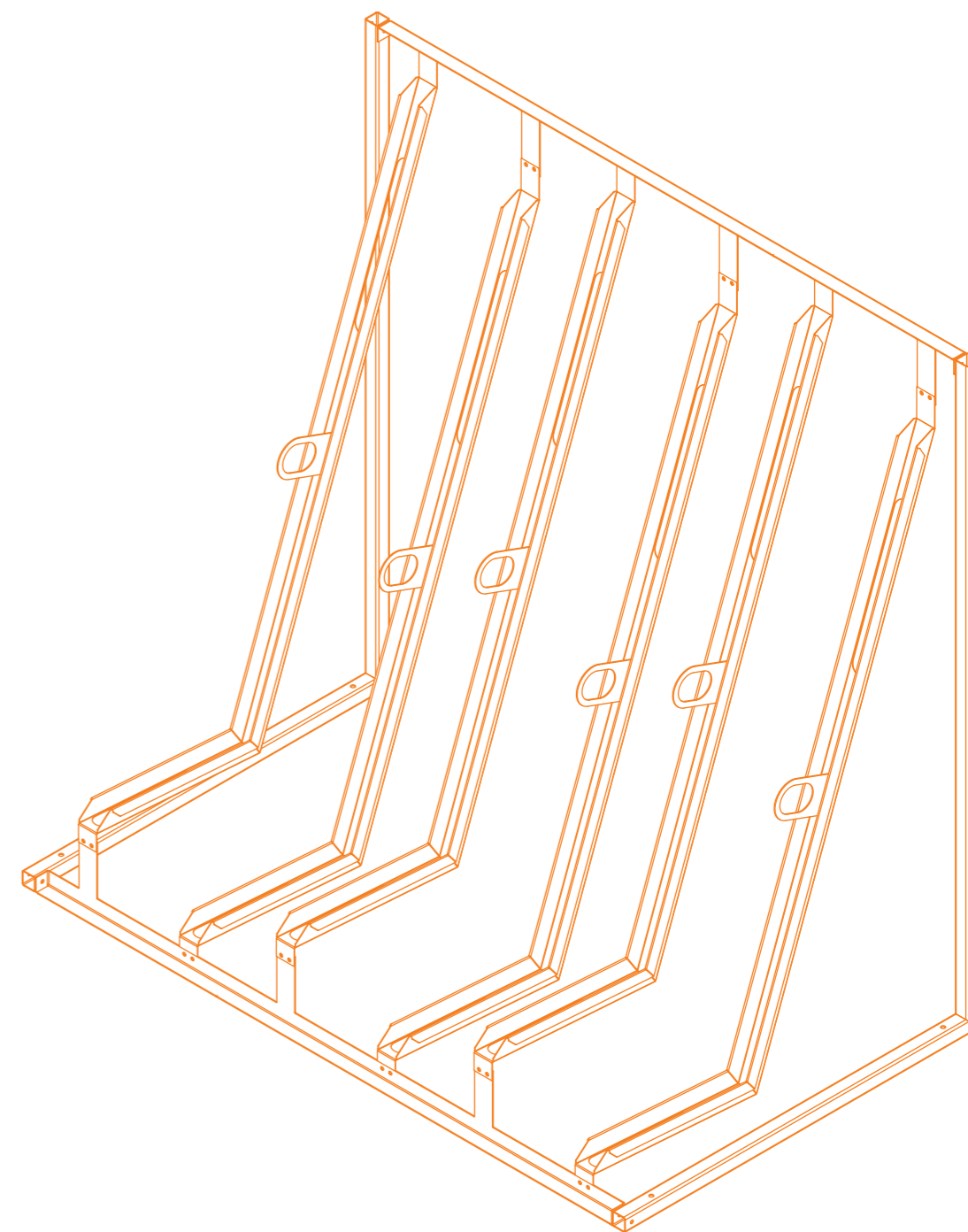


INSTALLATION SERVICE



MADE IN BRITAIN

SEMI VERTICAL CYCLE RACK

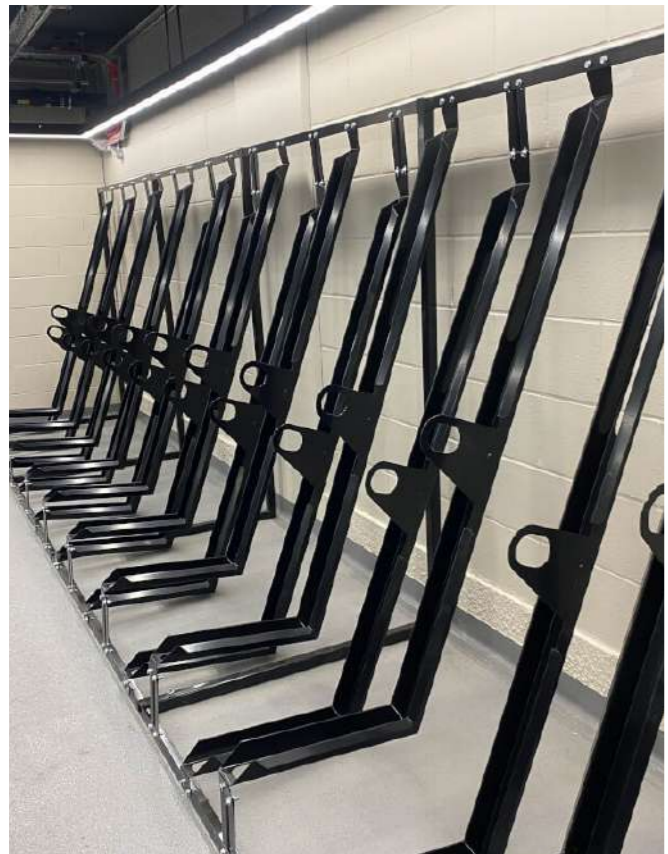


THE
BIKE STORAGE
COMPANY
SPECIFICATION DOCUMENT

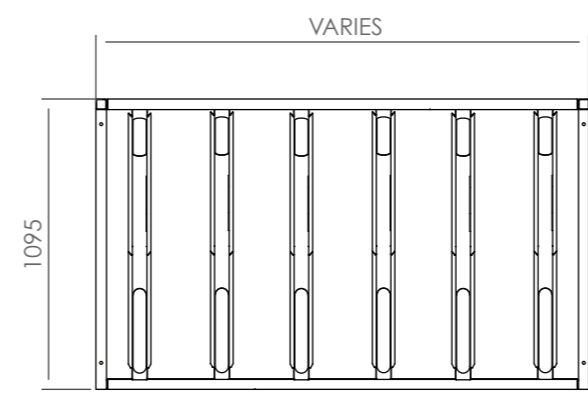
0800 246 1723
www.thebikestoragecompany.co.uk
hello@thebikestoragecompany.co.uk
Marina Studios, Harbour Yard, London, SW10 0XD
Registered in England No. 9189322.



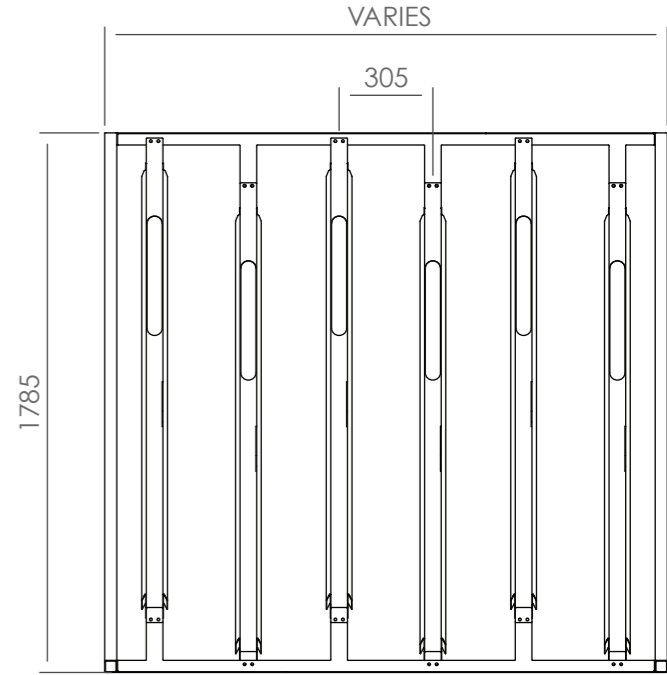
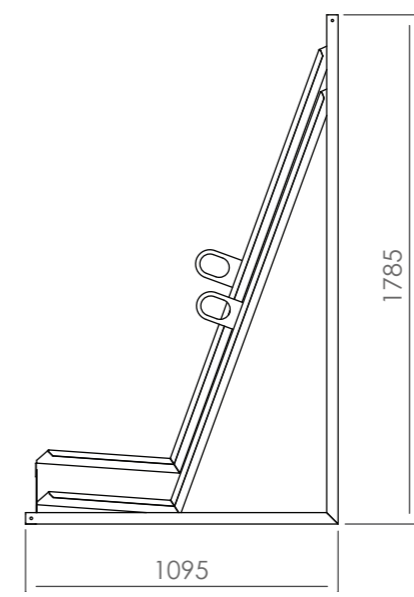
SEMI VERTICAL RACK



TOP



SIDE



SUMMARY:

The Semi Vertical Rack is a simple to use, space saving solution allowing bike users to store bikes semi-vertically with both wheels secured together with a central locking hoop. Offering a practical bike storage solution for space-premium areas such as offices, car parks, universities and stations. BREEAM Compliant. With minimum maintenance and maximum durability, these racks are UK manufactured from hot dipped galvanised steel and provided with our unrivalled 10 year product warranty.

FEATURES:

- Hot Dipped Galvanised to BS EN ISO 1461:2011
- Inclusive of secure locking hoop, allowing both wheels as well as frame to be secured
- 305mm centres between channels
- Height – 1705mm
- Depth – 1115mm (Entrance space of 750mm advised)
- Fixtures and fittings included
- Racks priced per cycle space
- Manufactured in the UK
- Quantity discounts and full installation service available – please call to discuss

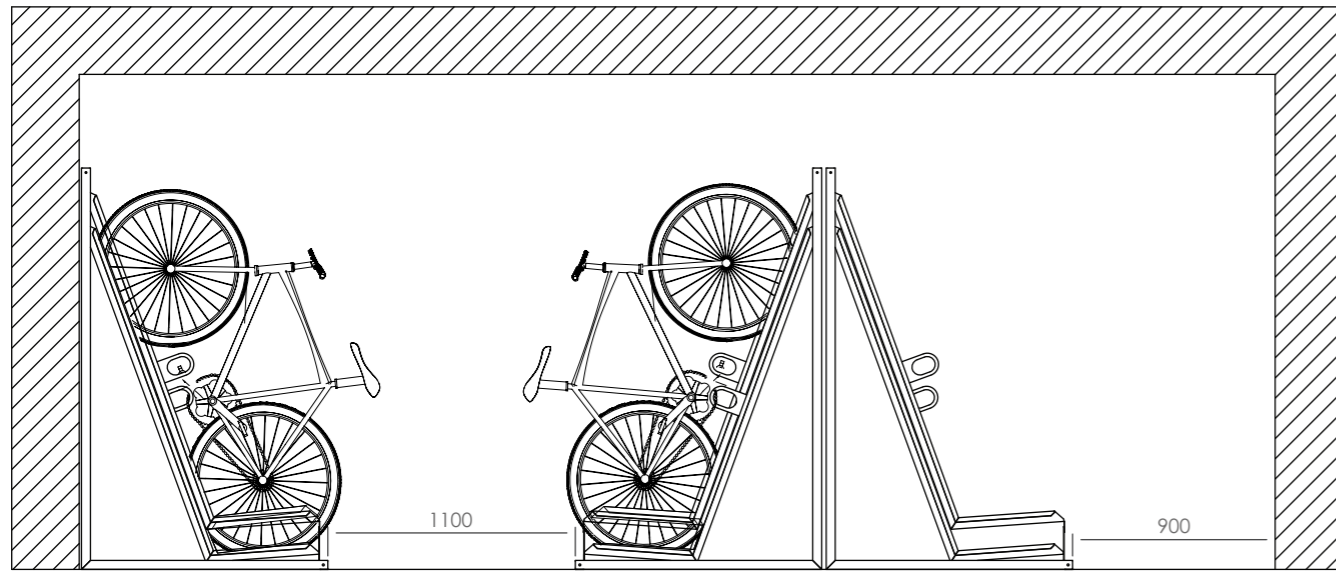


POTENTIAL LAYOUTS

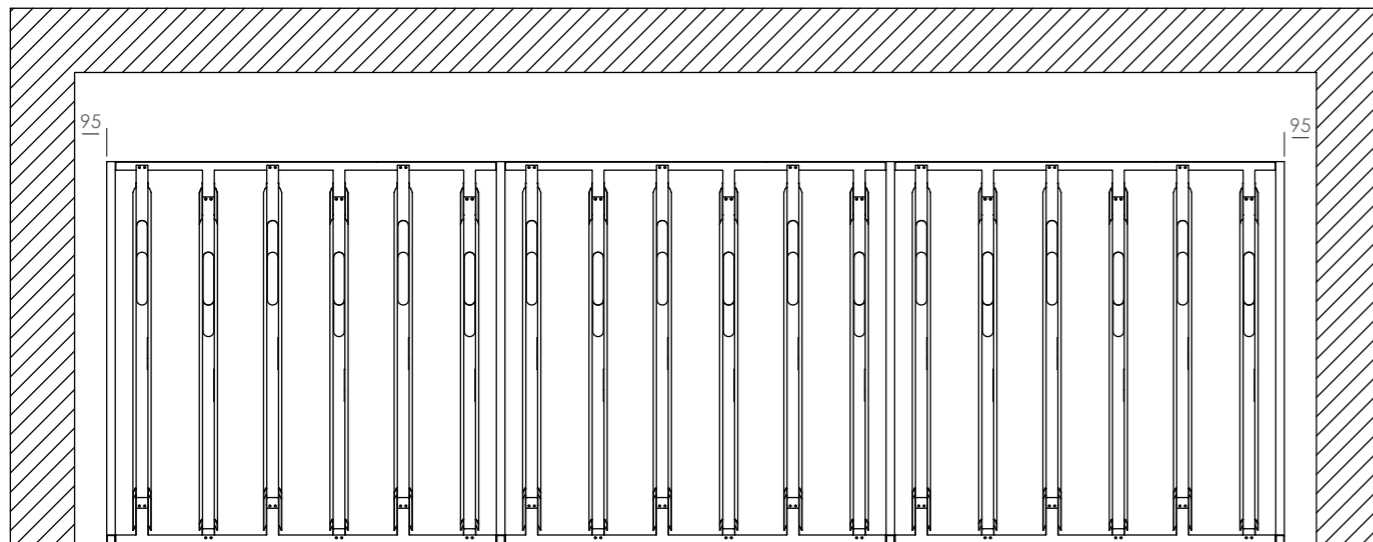
Install Requirements

- Rack to rack aisle width: **1100mm**
- Rack to wall aisle width: **900mm**
- Centre of rack leg to wall tolerance: **94mm**
- Minimum ceiling height: **2000mm**

SPACING REQUIREMENTS

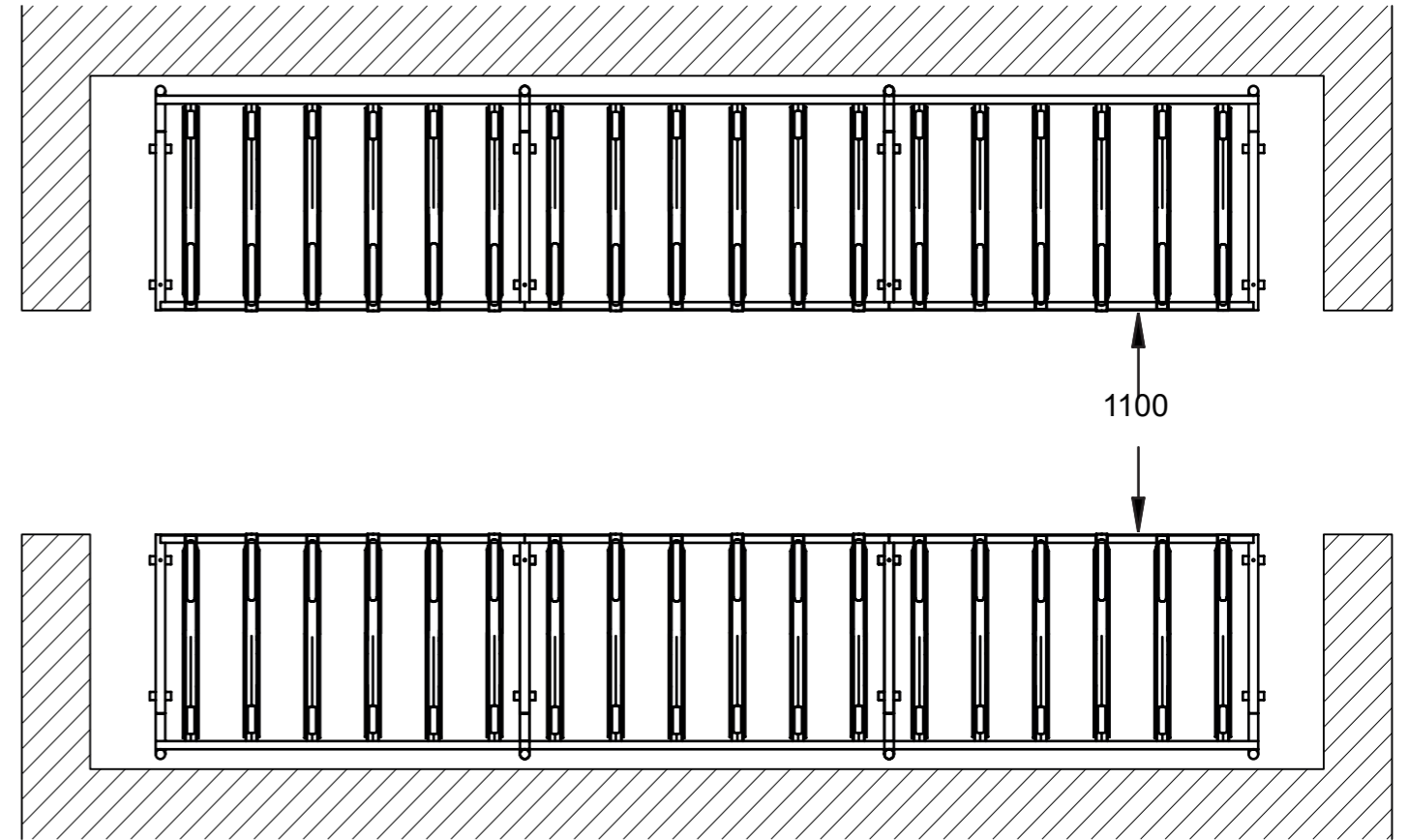


PLAN

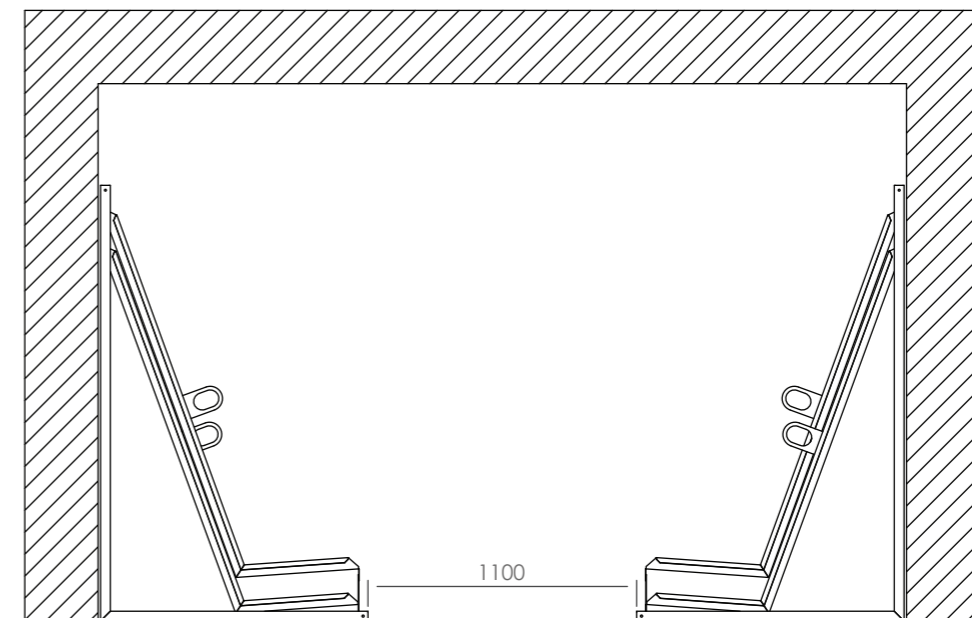


SIDE

LAYOUT 1

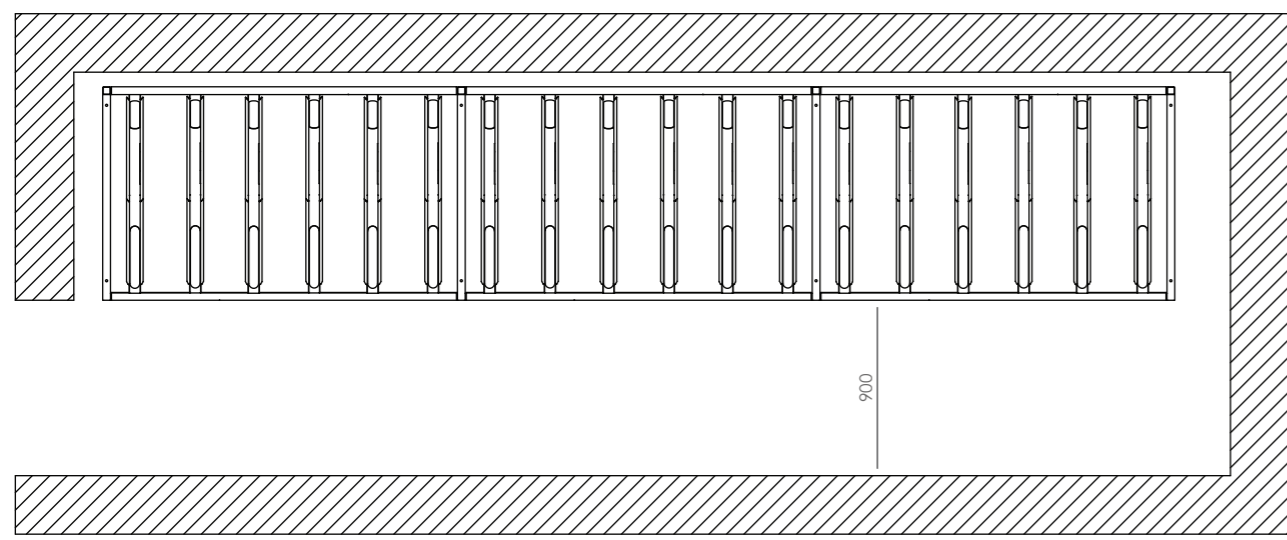


PLAN

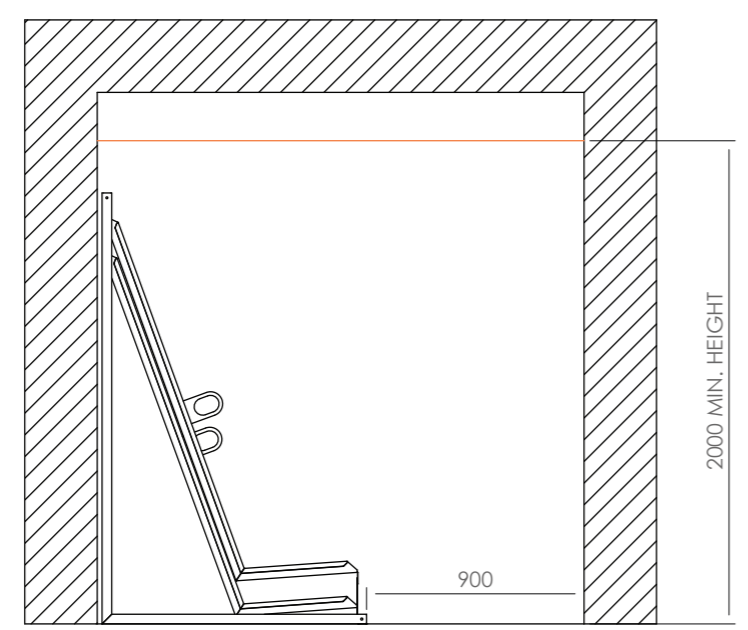


SIDE

LAYOUT 2

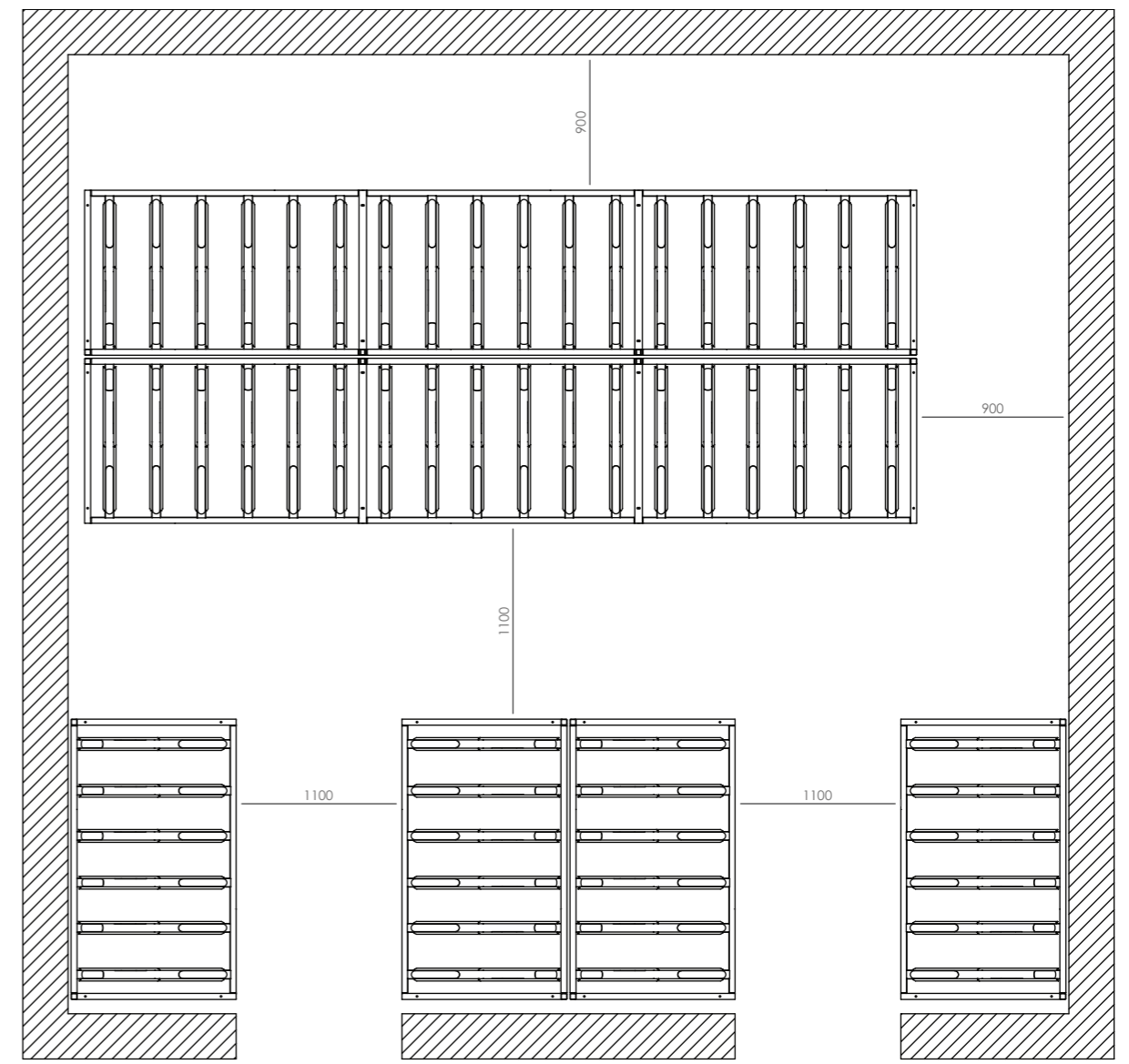


TOP

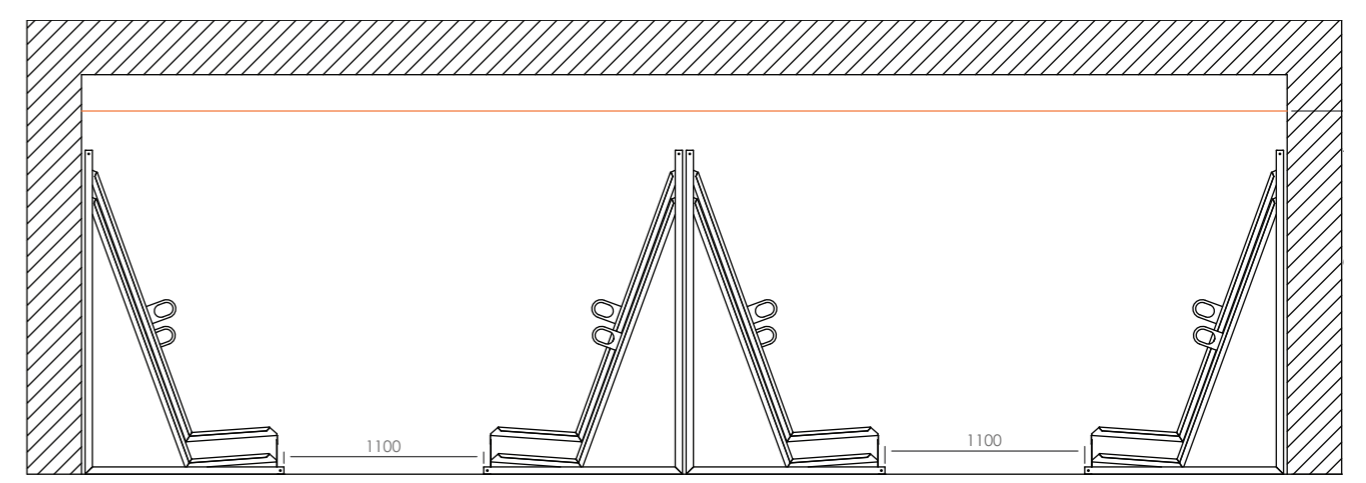


SIDE

LAYOUT 3



TOP



SIDE