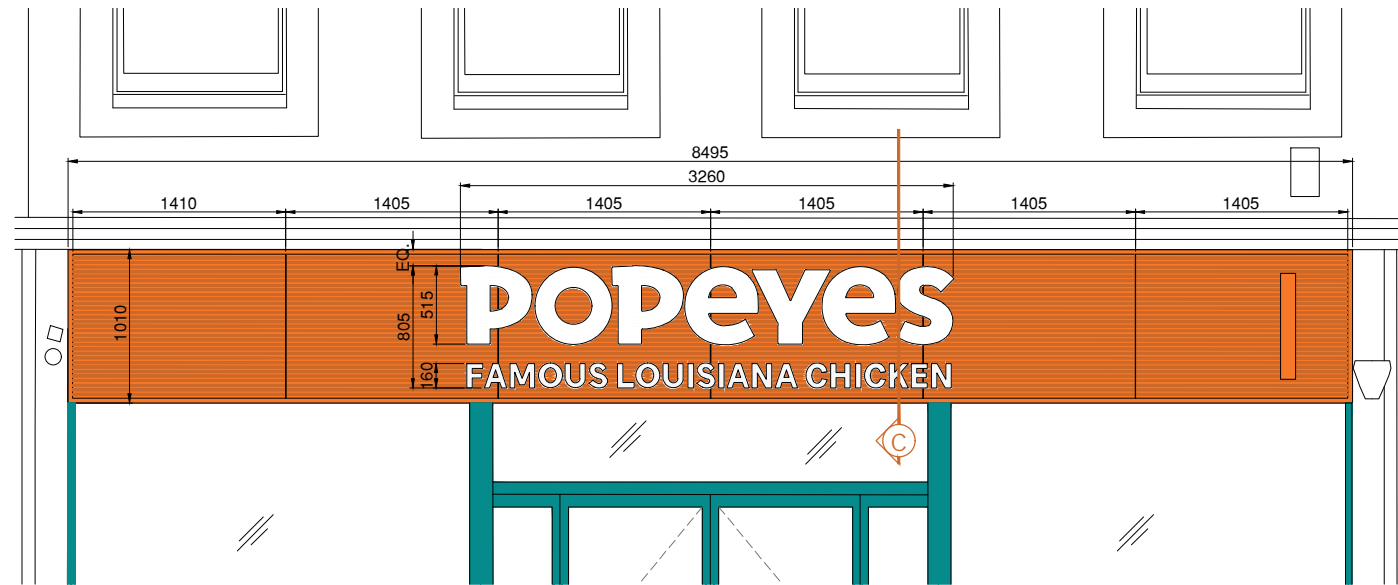
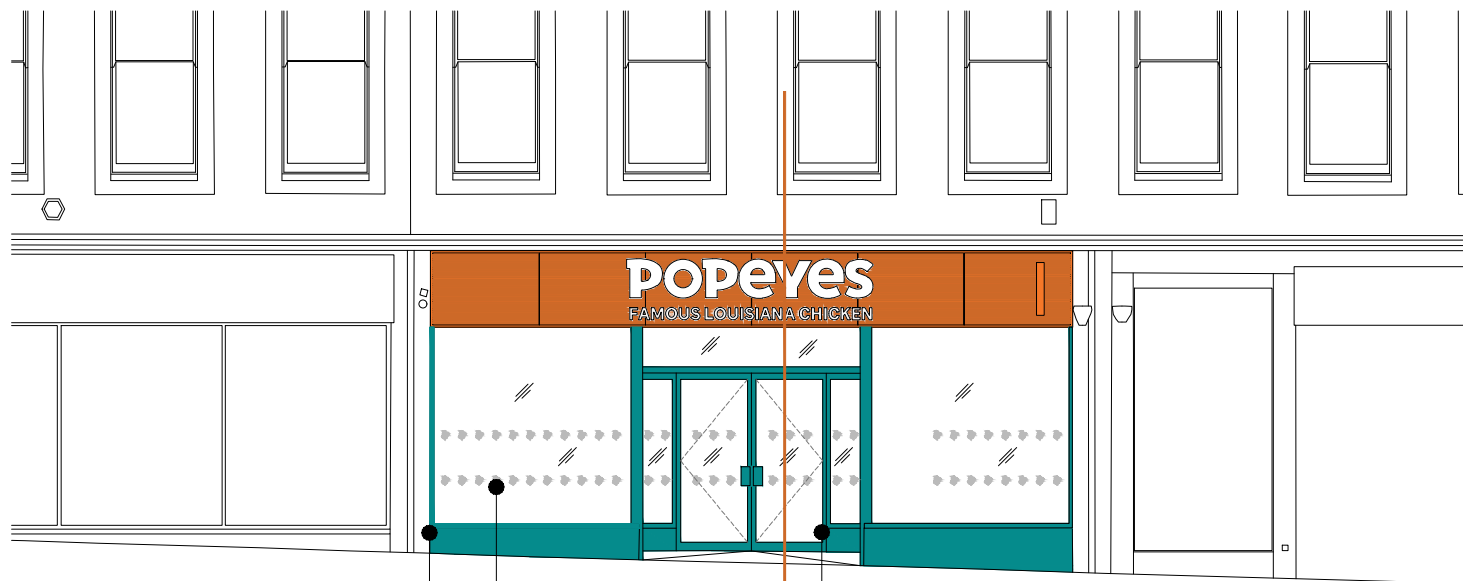


PROPOSED SECTION A
SCALE 1:50 @ A1, 1:100 @ A3

EXISTING SHOPFRONT TO BE RETAINED - FRAMEWORK TO BE FINISHED IN TURQUOISE BLUE - RAL 5018



DETAIL 1 - MAIN SIGN
SCALE 1:25 @ A1, 1:50 @ A3

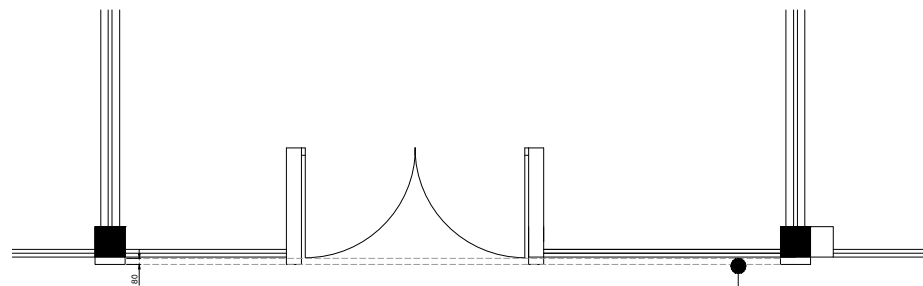


EXISTING SHOPFRONT TO BE RETAINED

SIGNAGE: MANIFESTATION - SEE SIGNAGE SCHEDULE D - NOT TO BE APPLIED IN FRONT OF DIGITAL SCREEN

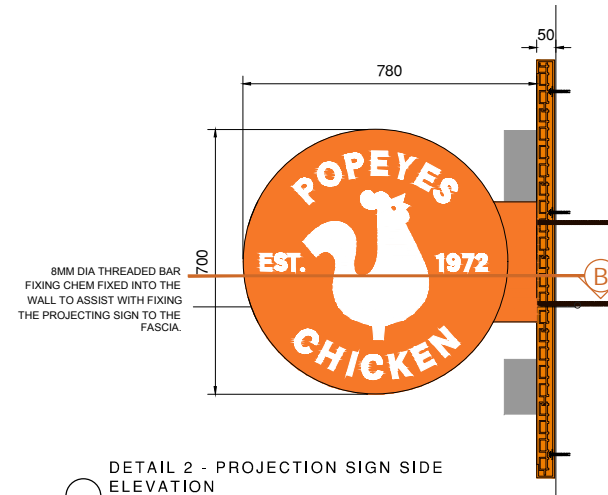
EXISTING SHOPFRONT TO BE RETAINED - FRAMEWORK TO BE FINISHED IN TURQUOISE BLUE - RAL 5018

PROPOSED SHOPFRONT ELEVATION
SCALE 1:50 @ A1, 1:100 @ A3

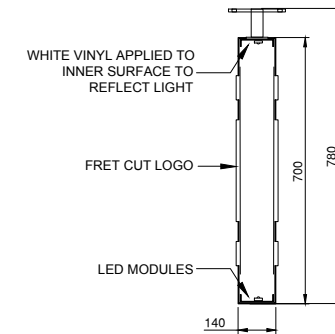


PROPOSED SHOPFRONT PLAN
SCALE 1:50 @ A1, 1:100 @ A3

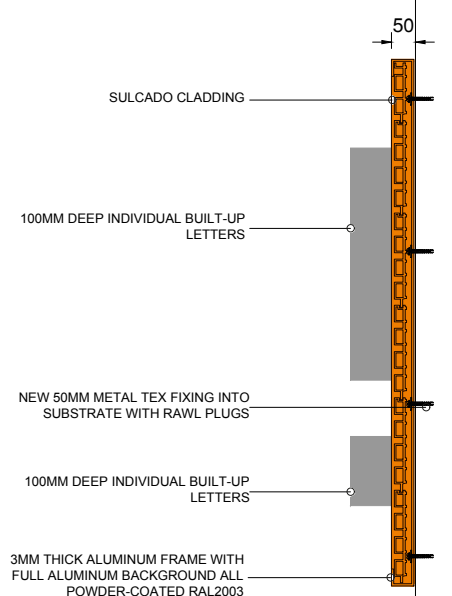
SIGNAGE: DASHED LINE DENOTES SIGNAGE FASCIA, REFER TO DETAIL FOR THICKNESS



DETAIL 2 - PROJECTION SIGN SIDE ELEVATION
SCALE 1:10 @ A1, 1:20 @ A3



DETAIL 3 SECTION B - PROJECTION SIGN SECTION
SCALE 1:10 @ A1, 1:20 @ A3



DETAIL 4 SECTION C - FASCIA SIGN SECTION
SCALE 1:10 @ A1, 1:20 @ A3

SIGNAGE SCHEDULE		
REF	IMAGE	DESCRIPTION
A		FASCIA LETTERS - SEE DETAIL 2 3260 X 515 X 80mm INTERNALLY ILLUMINATED 'POPEYES' LETTERS C/O OPAL 5mm 950 ACRYLIC FACES WITH ALUMINUM RETURNS FINISHED SATIN, TRAFFIC WHITE RAL 9018, 10mm WHITE FOAMBACKS C/W LED MODULES FOR FACE ILLUMINATION
B		PROJECTION SIGN - SEE DETAIL 3 700mm DIA INTERNALLY ILLUMINATED PROJECTION SIGN ALUMINUM SIGN, FRET CUT & INLaid 158MM OPAL WITH TFM IN FACE APPLIED MATT WHITE VINYL, 2ND 50X50 ALUMINUM BOX SECTION ARMS WELDED TO INTERNAL VERTICAL PLATES WITHIN CARCASS AND 5MM THICK FOLDED ALUMINUM WALL PLATE AND 20mm ALUMINUM CLOSING PANELS FINISHED POWDER-COATED ORANGE RAL 2003 EXTERNALLY LUMINANCE LEVEL - 250 CANDELA PER SQM
C		POPPY MANIFESTATION 63 X 75MM FROSTED VINYL (P M5804) INSTALLED 700mm/1400mm AFFL. ALL CHICKENS TO FACE THE SAME WAY AS PER CHICKEN GRAPHIC ON FASCIA (TO FACE ENTRANCE DOOR)

SIGNAGE SCHEDULE		
REF	IMAGE	DESCRIPTION
D		FASCIA SULCADO SMALL LIGHT ASH 3D SLAT WALL PANEL MAX PANEL SIZE 122 X 200 X 12mm FINISHED ORANGE - RAL 2004

SHOPFRONT PAINT SCHEDULE		
REF	IMAGE	DESCRIPTION
E		EXISTING SHOP FRAME WORK EXISTING FRAME WORK TO BE MADE GOOD AND PAINTED OUT IN TURQUOISE BLUE RAL 5018