

**FOUNDATIONS**

Simple foundations or level hardstandings are required to be capable of taking the foundation design load at each Lodastrut leg position of 47 kN, which includes the dead weight of the unit, imposed floor load of 3 kN/m<sup>2</sup>, imposed roof load of 0.75 kN/m<sup>2</sup> and wind loads based on a basic wind speed of 25 m/s (BS 6399:part 2:1997)  
 It is recommended that professional advice is obtained for the design.

Foundations shall be constructed with level tops with a tolerance of ± 3mm.

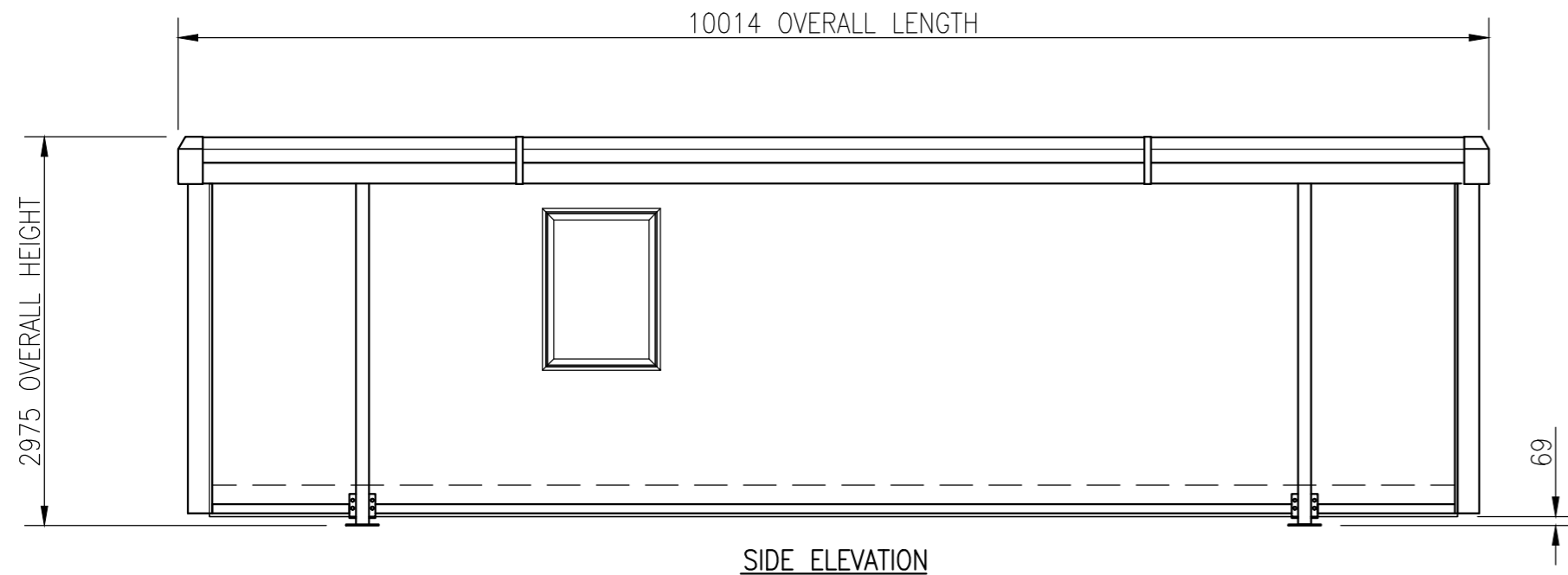
On sloping sites the top level of the foundations must ensure a clearance between the ground and the underside of the building.

All Lodastrut legs should be fully retracted onto the safety stops with the leg pins fitted through the outer legs and secured by pulling the chain tight and securing on the hook adjacent to each leg.

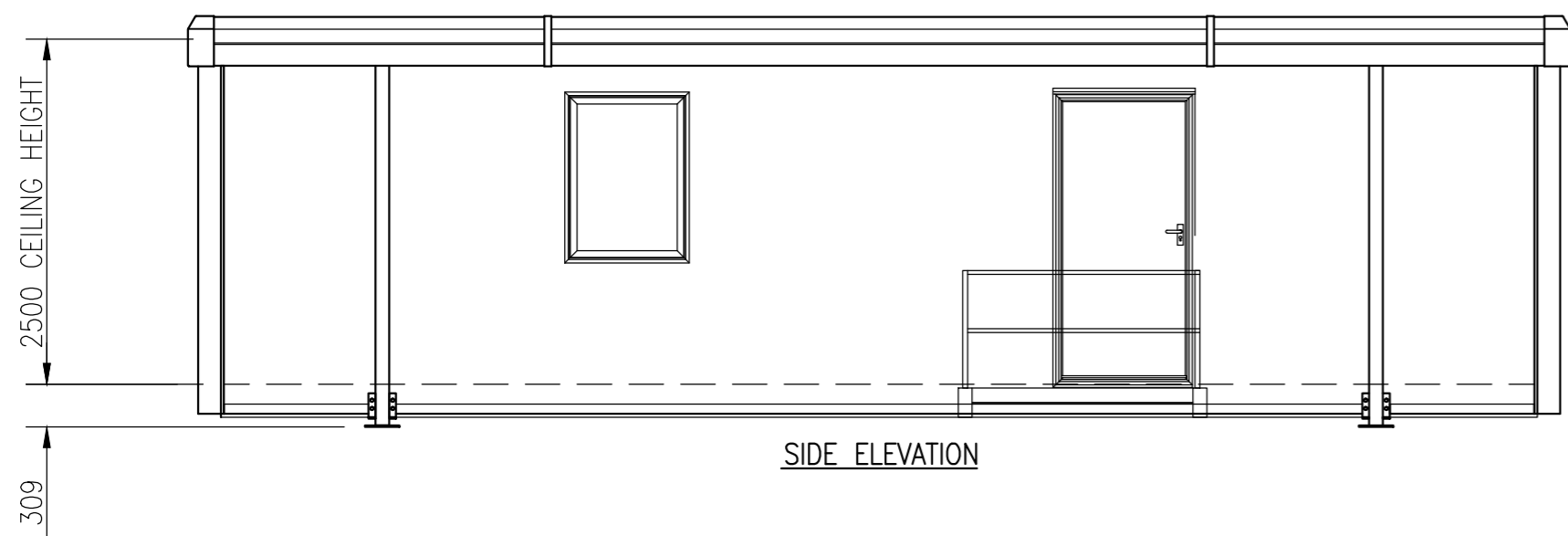
All buildings are to be anchored to the foundations, unless it can be established that no climatic or other forces are likely to be applied so as to exceed the intrinsic stability of the building in its unloaded state.

It is recommended that the buildings are secured via the leg baseplate using M20 anchor bolts.

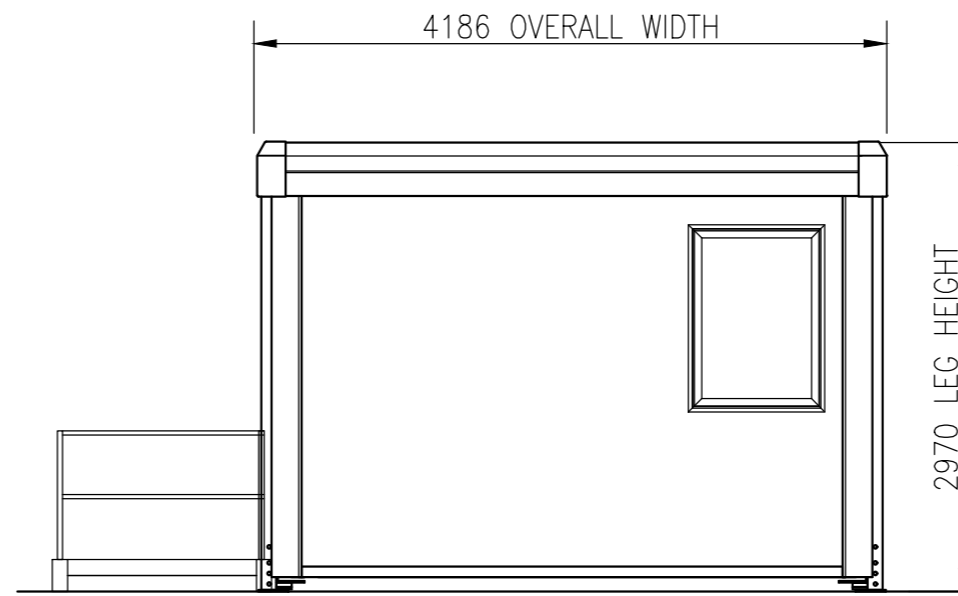
Foundation point load - 47 kN



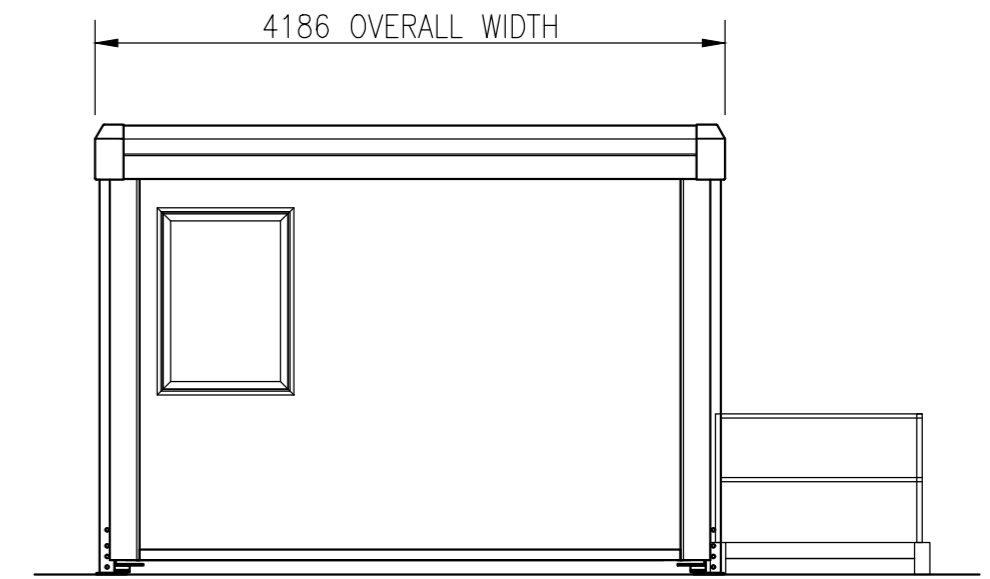
SIDE ELEVATION



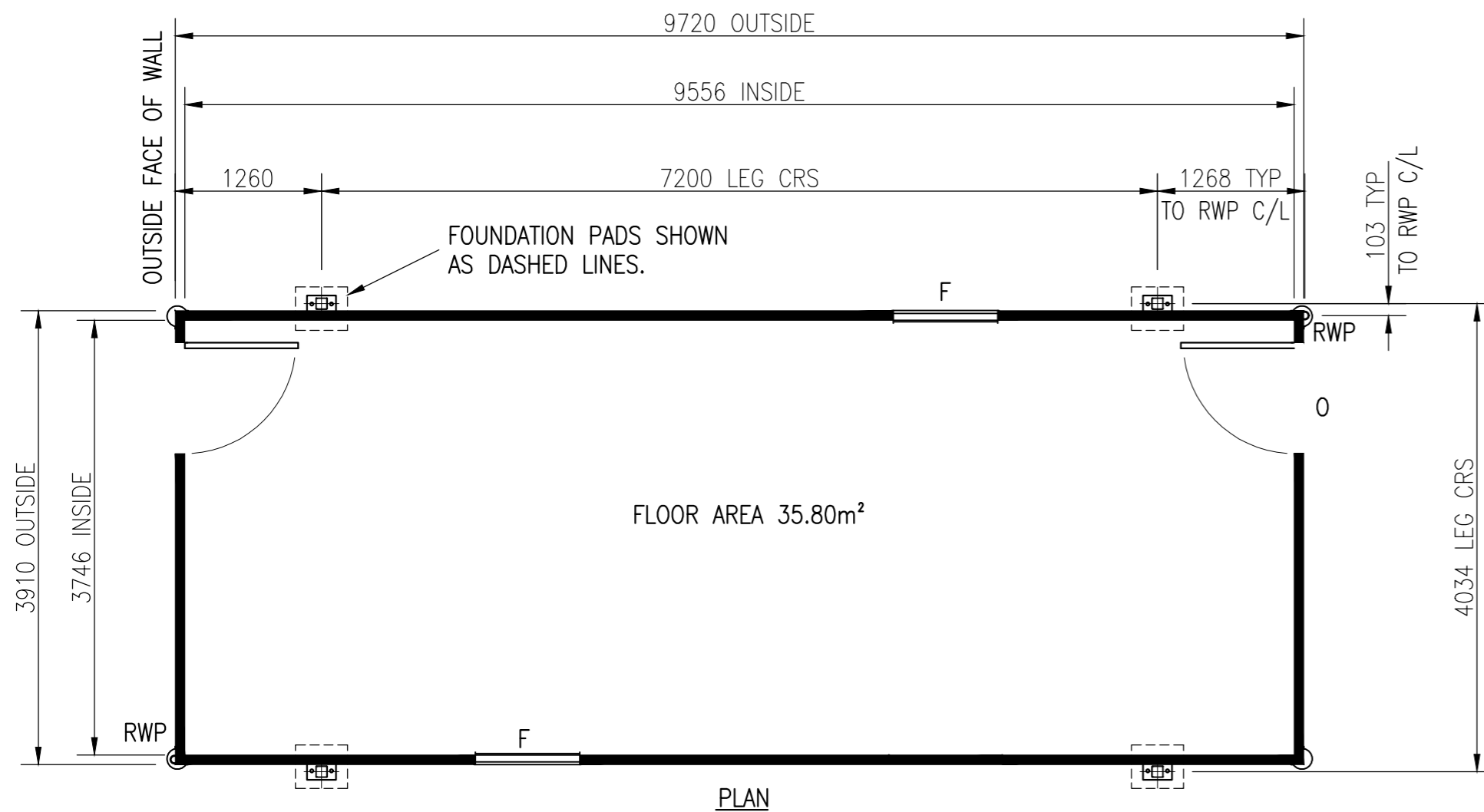
SIDE ELEVATION



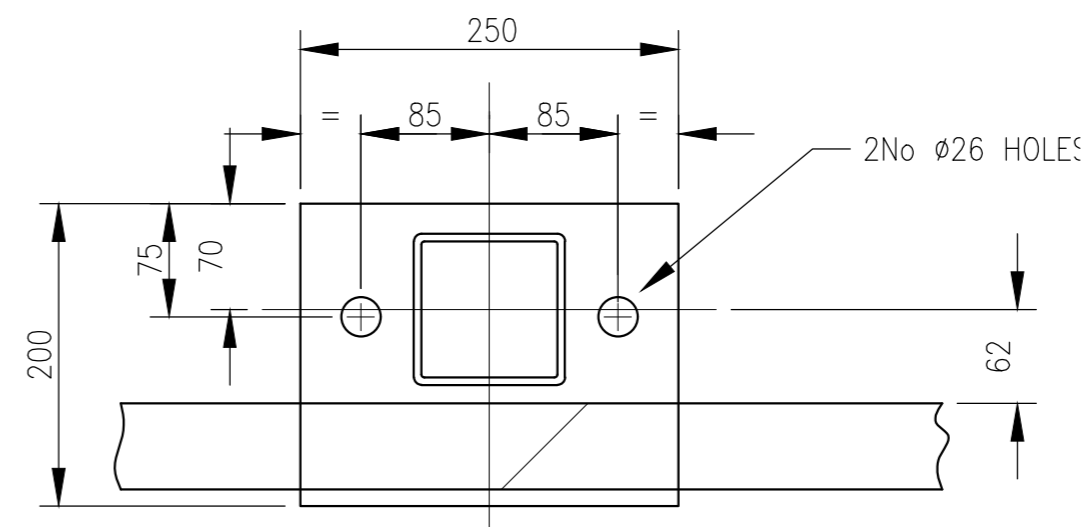
END ELEVATION



END ELEVATION



PLAN



LODASTRUT LEG BASEPLATE DETAIL

**STANDARD COLOURS**

- |           |                      |   |                                                        |
|-----------|----------------------|---|--------------------------------------------------------|
| External: | Walls and wall trims | - | Goosewing grey nearest BS ref 10 A 05                  |
|           | Corner trims         | - | Silver                                                 |
|           | Roof                 | - | White nearest BS 4800 ref 00 E 55                      |
|           | Lodastrut legs       | - | Grey BS 4800 ref 00 A 05                               |
|           | Doors                | - | Goosewing grey nearest BS ref 10 A 05                  |
|           | Fascia               | - | Grey RAL 7042                                          |
|           | Windows              | - | Blue foil wrapped ref. Renolit - Werke GmbH 515005-167 |



Portakabin Limited Huntington York YO32 9PT  
 Telephone 01904 611655 Fax 01904 611644

Project  
**TEMPORARY OFFICE  
 ACCOMMODATION.**  
 Client  
**NCH HILLINGDON YISP**

Title  
**TITAN TN104  
 SPECIFICATION  
 DRAWING**

Date  
**18/05/94**  
 Drawn  
**C.GURDEN**

Scale  
**1:5 & 1:50**

Drg. No.  
**GE0001**  
 Rev.  
**X**

**KEY**

- O OPEN WINDOW
- F FIXED WINDOW
- RWP RAIN WATER PIPE