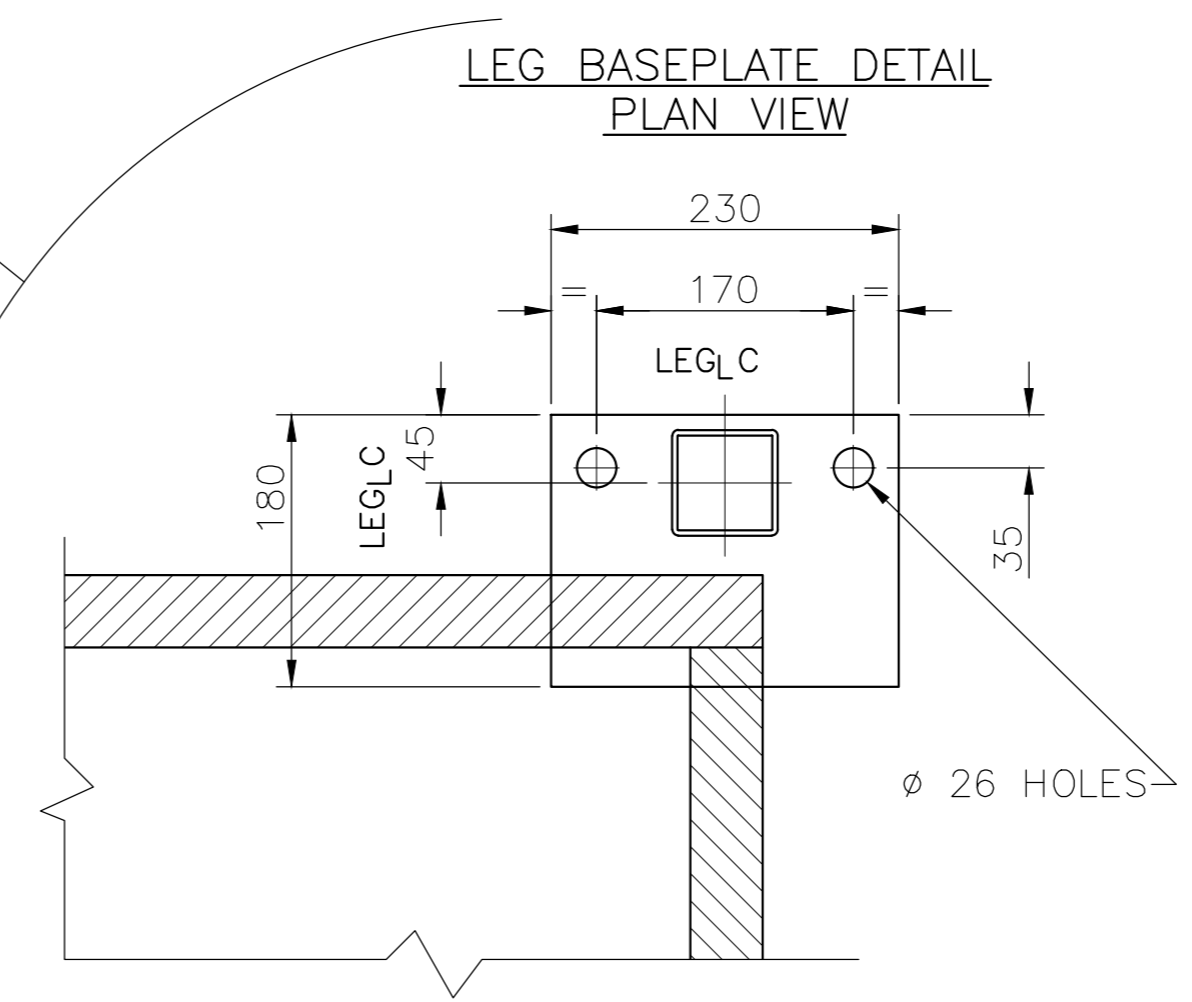
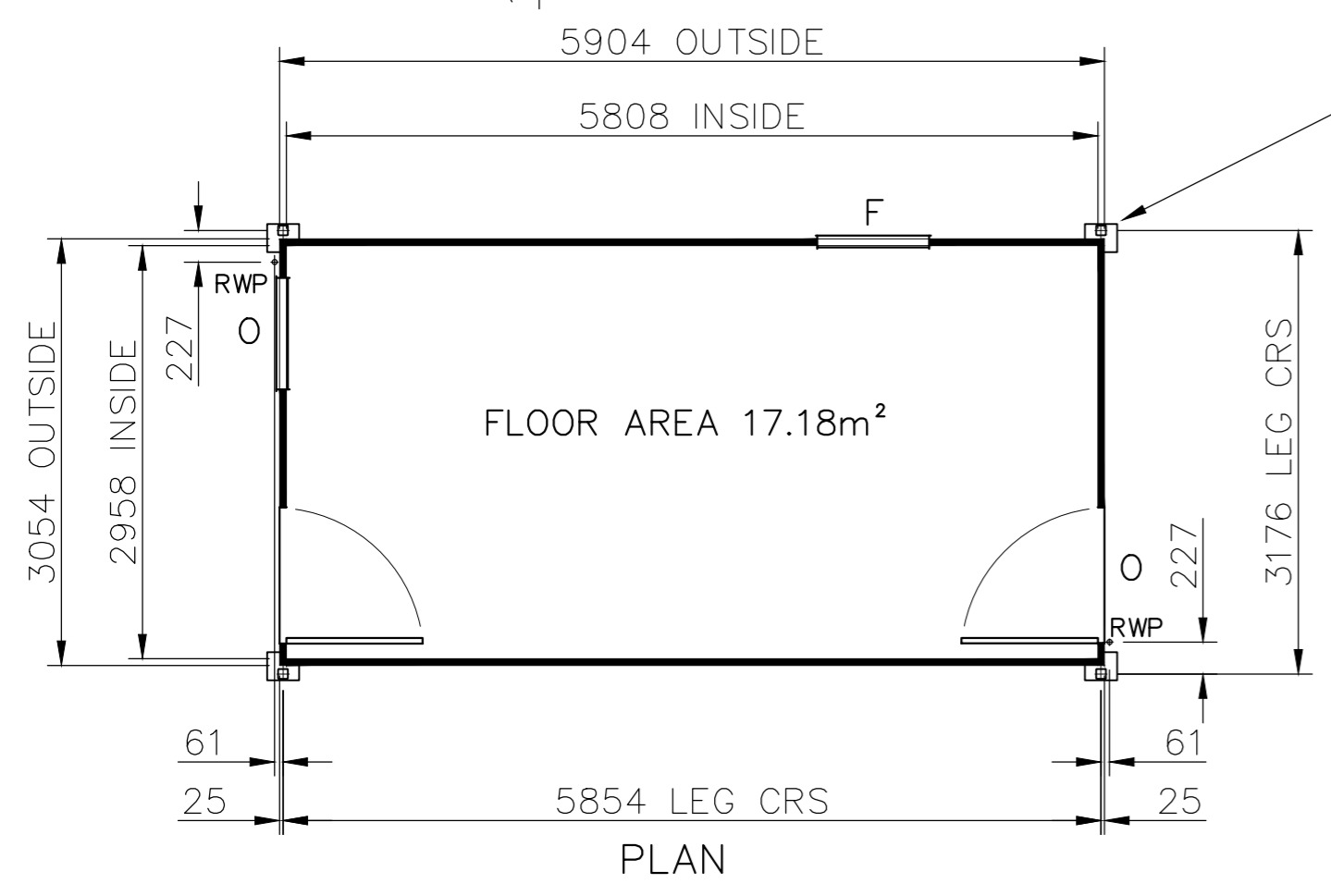
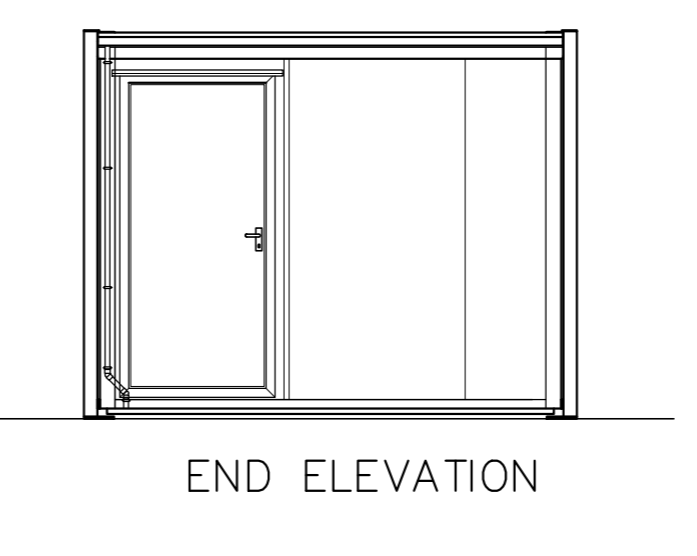
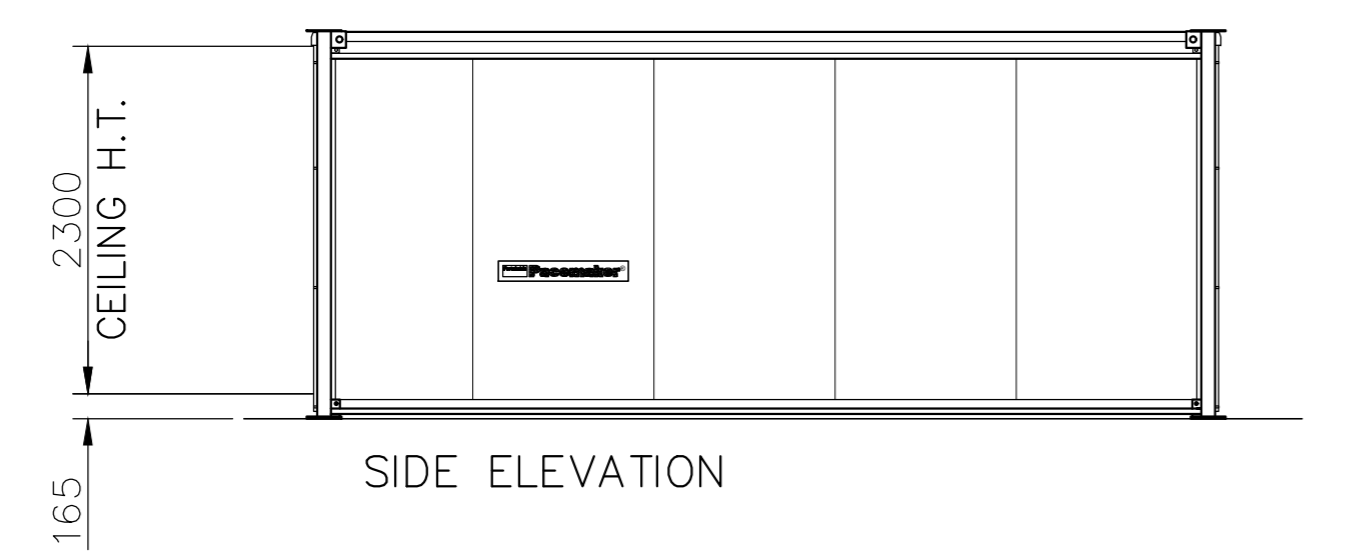
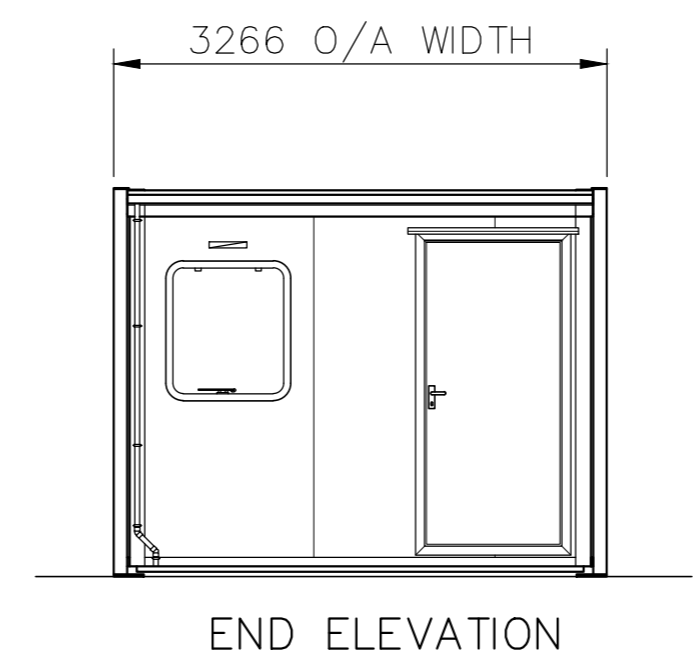
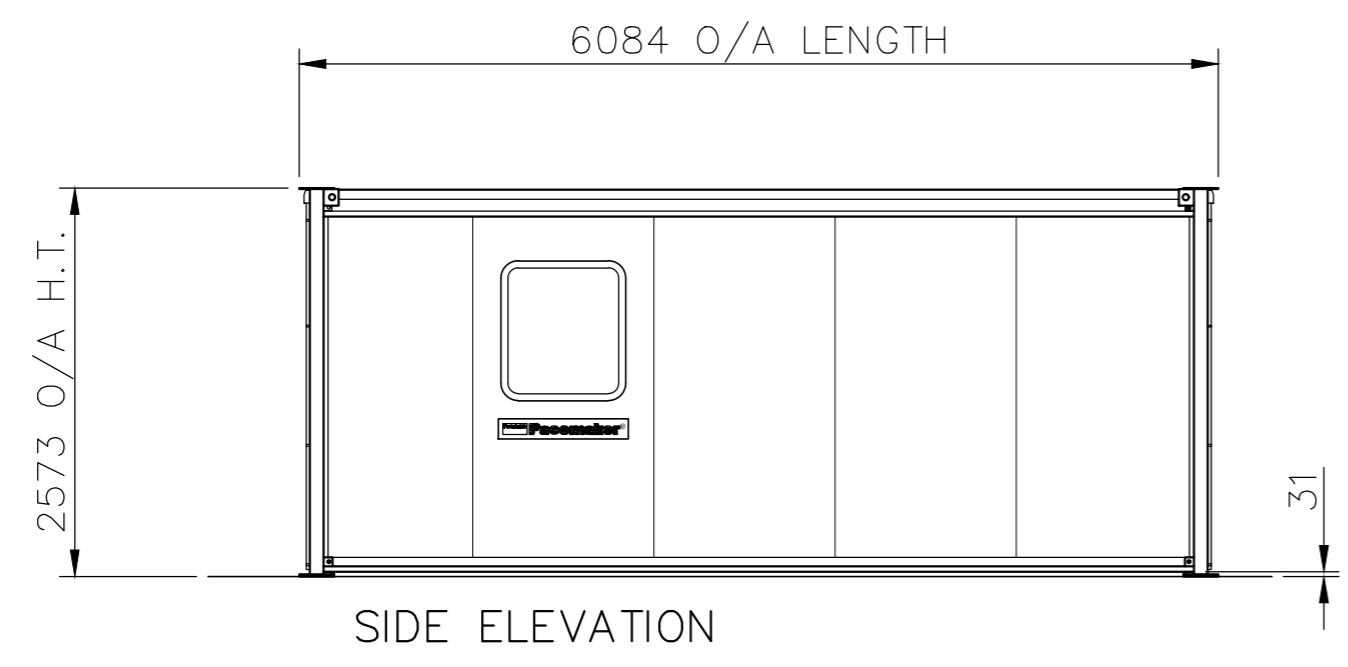


© Portakabin Limited 2001  
 This drawing is the property of Portakabin Limited,  
 it must not be copied or reproduced or divulged  
 to anyone without written permission.  
 Rev. Date By



Portakabin Limited Huntington York YO32 9PT  
 Telephone 01904 611655 Fax 01904 611644

Project	PACEMAKER SERIES 8	
Client		
Title	PK202 SPECIFICATION DRAWING.	
Date	15/11/94	Drawn C. GURDEN
Scale	291:5 & 1:50 @ A2	
Drawn No.	BR0026	Rev. E

**FOUNDATIONS**

Simple foundations or level hardstandings are required to be capable of taking the foundation design load at each Lodastrut leg position of 21 kN, which includes the dead weight of the unit, imposed floor load of 3kN/m<sup>2</sup>, imposed roof load of 0.75 kN/m<sup>2</sup> and a basic wind load of 50 m/s. The foundations are to be designed in accordance with BS 8004 with level tops of a tolerance of ± 3mm. The top level of the foundations must ensure a clearance between the ground and the underside of the building. It is recommended that professional advice is obtained for the design. All Lodastrut legs should be fully retracted onto the safety stops with the leg pins fitted through the outer legs and secured by the locking cotter.

**KEY**

- O OPEN WINDOW
- F FIXED WINDOW
- RWP RAIN WATER PIPE

**STANDARD COLOURS**

- Walls - Silk Grey nearest BS ref. 10 A 05
- Doors - Golden Amber nearest BS ref. 08 B 11
- Roof - White nearest BS ref. 00 E 55
- Fascia & Corner - Blue Grey nearest BS ref. 18 B 29
- Wall Trims - Silk Grey nearest BS ref. 10 A 05
- Bottom Wall Trims - Blue Grey BS 4800 18 B 29