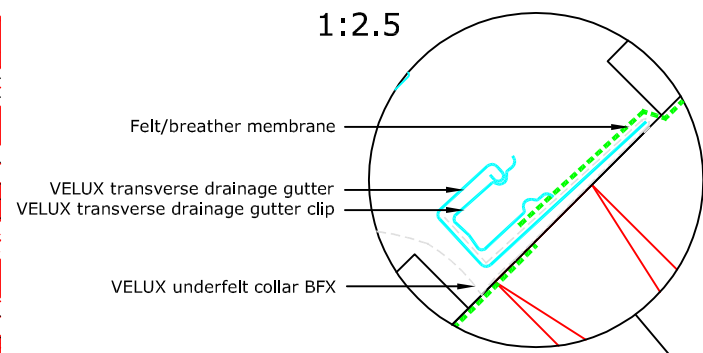
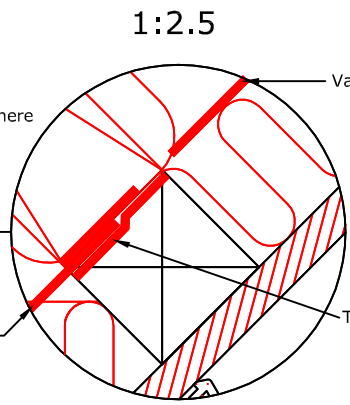
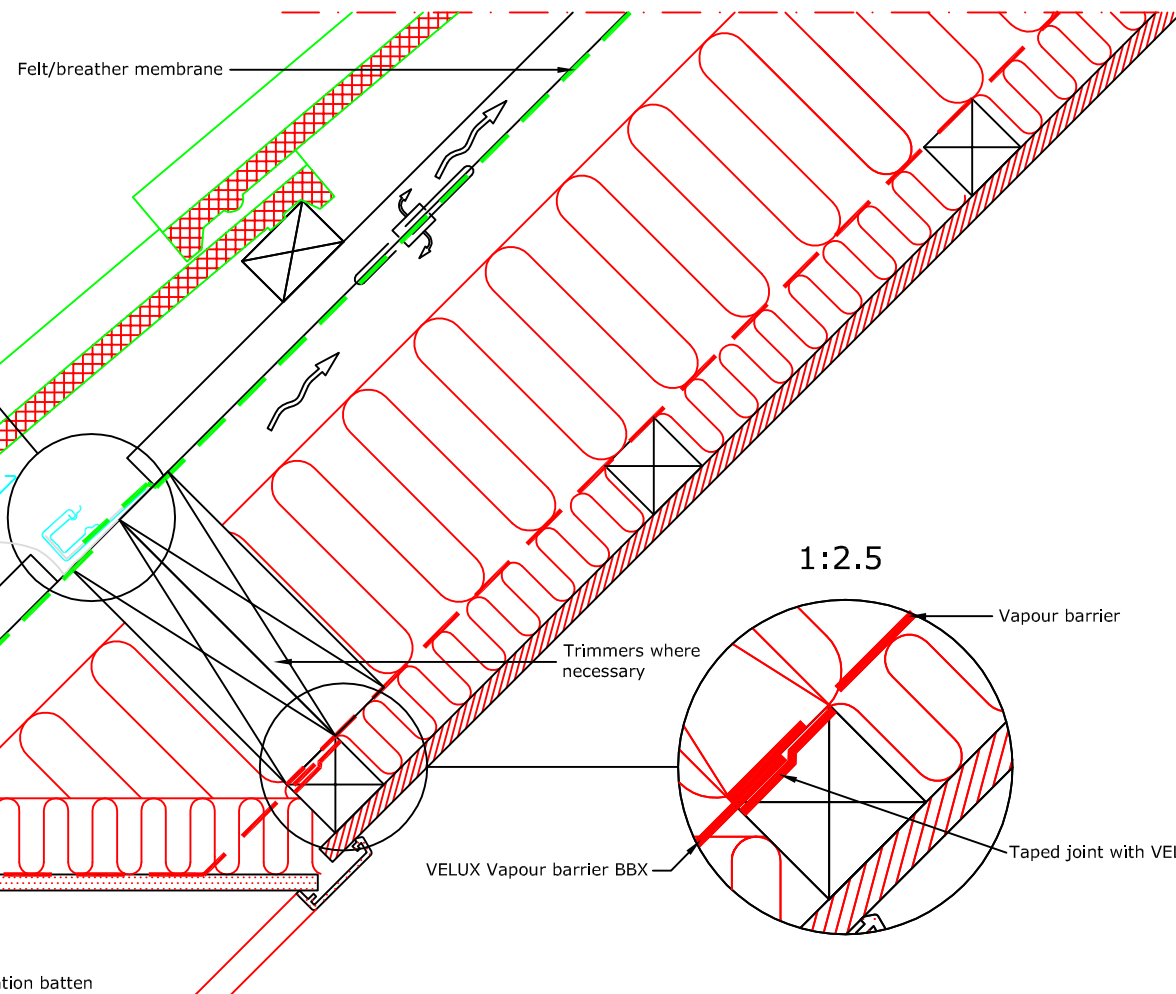
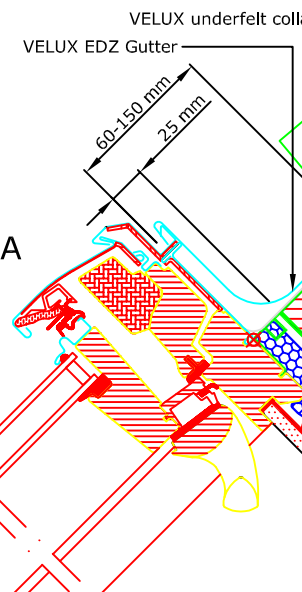


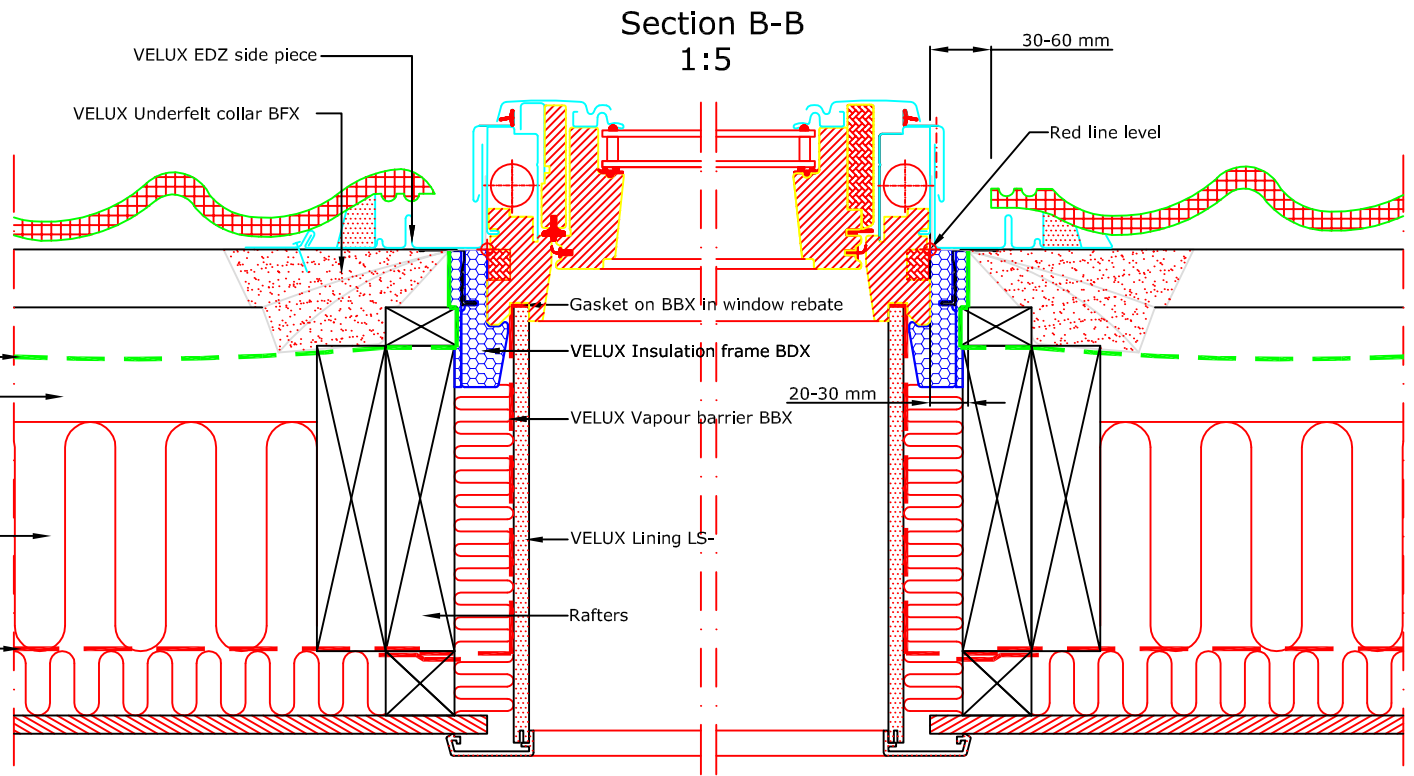
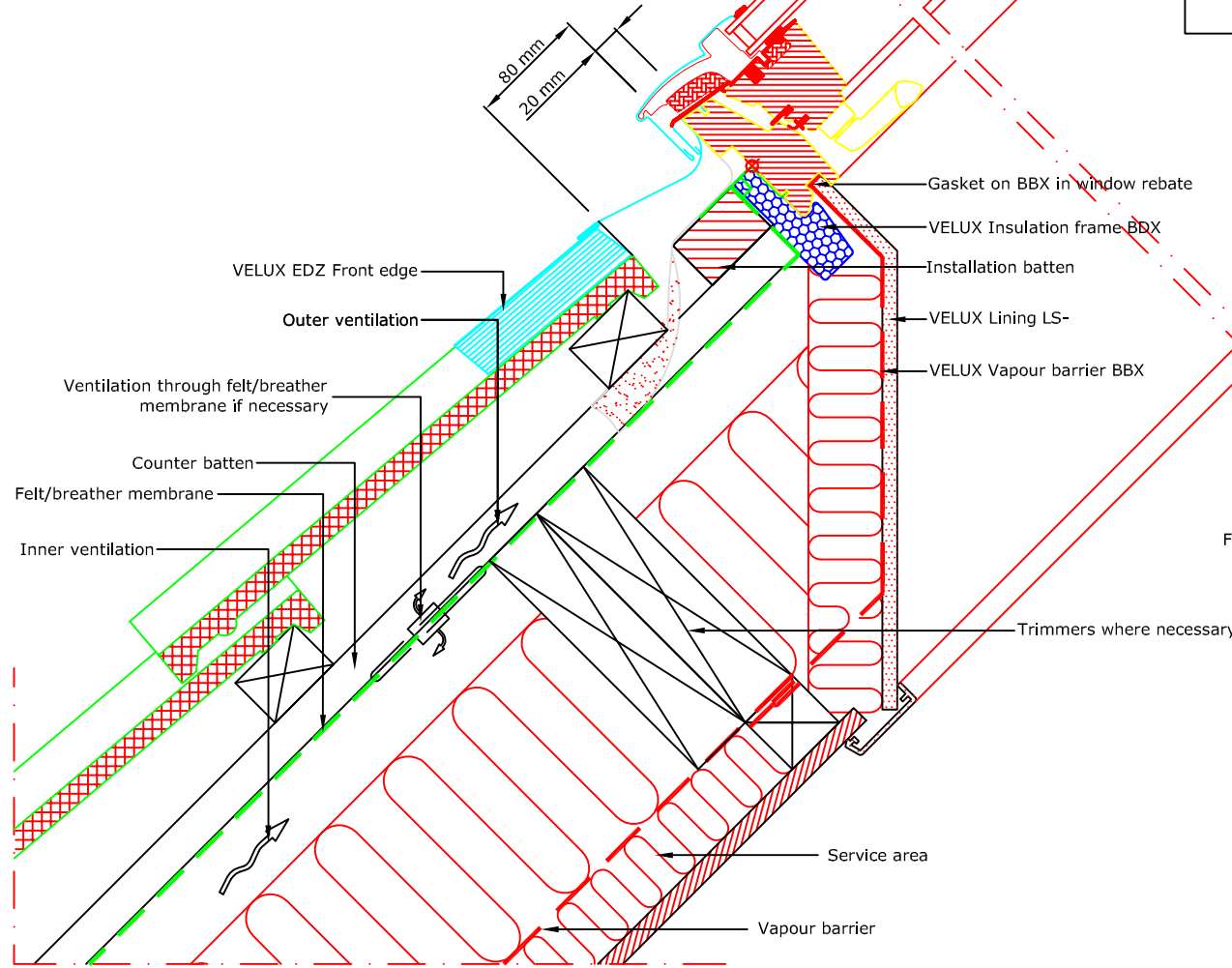
TYPICAL ELEVATION



Section A-A  
1:5



- VELUX Products:
- GPL  
15°-55°  
\* 55°-75° with special springs
  - EDZ  
20°-90°
  - BFX
  - BDX
  - BBX
  - LS-
- Roof covering:
- TILES  
< 45 mm



VELUX Company Ltd  
Woodside Way  
Glenrothes, Fife KY7 4ND  
tel: +44 (0) 1592 778 225

VELUX top-hung roof window  
**GPL single installation into low profiled tile**  
EDZ flashing kit - standard install into profiled tile up to 45mm thick  
*All dimensions are in millimetres where shown*

NOTE! When installing VELUX roof windows, flashings and accessories, please ensure compliance with building regulations and British/European standards where necessary. This detail represents the principles of a typical installation only and the design and specification of the final detail is the responsibility of others.

Latest revision:	Date: <b>January 2014</b>	File name:
	Rev no:	<b>GPL-EDZ-0114-1011</b>
	Rev date:	
	Drawn: <b>PJH</b>	Scale: <b>1:5 approx. @ A3</b>