

Mono

SAMSUNG Specifications

Mono **R32**

- Intuitive, colour screen touch controller in multiple languages
- Energy monitoring through touch controller
- 2-zone control, suitable for floor heating and radiators

Accessories



Touch Controller

MWR-WW10N



		Outdoor Unit Control Kit		AE050RXYDEG/EU MIM-E03CN	AE080RXYDEG/EU MIM-E03CN	AE120RXYDEG/EU MIM-E03CN	
System	Operation	Nominal Capacity	Heating A7/W35 ¹	W	5.000	8.000	12.000
			Cooling A35/W18 ¹	W	5.000	7.500	12.000
	Power Input (Nominal)	Heating A7/W35 ¹	W	1.030	1.770	2.650	
		Cooling A35/W18 ¹	W	1.140	1.900	2.770	
	COP (Nominal Heating) A7/W35 ¹		W/W	4,85	4,52	4,53	
	EER (Nominal Cooling) A35/W18 ¹		W/W	4,39	3,95	4,33	
	Leaving Water Temperature ²	Heating	°C	15-65	15-65	15-65	
		Cooling	°C	5-25	5-25	5-25	
	Ambient Temperature	Heating	°C	-25-35	-25-35	-25-35	
		Cooling	°C	10-46	10-46	10-46	
		DHW	°C	-25-43	-25-43	-25-43	
	Functions	2-Zone Control ³	-	•	•	•	
Outdoor Unit	Power Supply	Φ, V, Hz	1Φ, 220-240V, 50Hz	1Φ, 220-240V, 50Hz	1Φ, 220-240V, 50Hz		
	Compressor	Type	-	BLDC Twin Rotary	BLDC Twin Rotary	BLDC Twin Rotary	
	Base Heater	-	-	•	•		
	Sound	Sound Pressure ⁴	Heating Std	dB(A)	45	48	50
			Cooling Std	dB(A)	45	48	50
		Sound Power	Heating Std	dB(A)	61	63	64
			Cooling Std	dB(A)	62	64	65
	Dimensions	Net Weight	kg	58,5	76,0	110,0	
		Net Dimensions (WxHxD)	mm	880 x 798 x 310	940 x 998 x 330	940 x 1,420 x 330	
	Refrigerant	Type	-	R32	R32	R32	
These products contain R32 (GWP=675) which is fluorinated greenhouse gas.							
Factory Charging		tCO ₂ e	0,68	0,78	1,49		
		kg	1,00	1,15	2,20		

AE160RXYDEG/EU MIM-E03CN	AE080RXYDGG/EU MIM-E03CN	AE120RXYDGG/EU MIM-E03CN	AE160RXYDGG/EU MIM-E03CN
16.000	8.000	12.000	16.000
14.000	7.500	12.000	14.000
3.620	1.770	2.650	3.620
3.280	1.900	2.770	3.280
4.42	4,52	4,53	4,42
4,27	3,95	4,33	4,27
15-65	15-65	15-65	15-65
5-25	5-25	5-25	5-25
-25-35	-25-35	-25-35	-25-35
10-46	10-46	10-46	10-46
-25-43	-25-43	-25-43	-25-43
•	•	•	•
1Φ, 220-240V, 50Hz	3Φ, 380-415V, 50Hz	3Φ, 380-415V, 50Hz	3Φ, 380-415V, 50Hz
BLDC Twin Rotary	BLDC Twin Rotary	BLDC Twin Rotary	BLDC Twin Rotary
•	-	•	•
52	48	50	52
54	48	50	54
66	63	64	66
68	64	65	68
110,0	75,0	111,0	111,0
940 x 1,420 x 330	940 x 998 x 330	940 x 1,420 x 330	940 x 1,420 x 330
R32	R32	R32	R32
These products contain R32 (GWP=675) which is fluorinated greenhouse gas.			
1,49	0,78	1,49	1,49
2,20	1,15	2,20	2,20



¹A2W Conditions : (Heating) Water In/Out 30°C/35°C, Outdoor Air °C[DB]/6°C[WB]; (Cooling) Water In/Out 23°C/18°C, Outdoor Air 35°C[DB].

²65°C down to +10°C (max. 60°C down to -5°C)

³When combined with external thermostat.

⁴Sound pressure level is obtained in an anechoic room. Sound pressure level is a relative value, depending on the distance and acoustic environment. Sound pressure level may differ depending on operation conditions.

SAMSUNG Specifications

www.freedomhp.co.uk

Freedom
Heat Pumps
SALES | SERVICE | SUCCESS

Mono Control Kit

- Includes remote controller and flow sensor
- Mounting box with the control printed board assembly
- Leaving and return water sensors
- Domestic Hot Water sensor



Model		MIM-E03CN
Compatible With	-	EHS R32 Mono ODU
Power Supply	Ø, #, V, Hz	1, 2, 220-240, 50
External Control	Booster Heater	- AC 230V (Max 20A)
	Back up Heater (/Boiler)	- AC 230V (Max 10mA)
	Water Pump	- AC 230V (Max 0.5A)
	2way(or 3way) Valve	- AC 230V (Max 22mA)
	Room Thermostat	- AC 230V (Max 22mA)
	Solar Pump	- AC 230V (Max 10mA)
	Inverter Pump	- AC 230V (Max 0.5A)
	3way Mixing Valve	- AC 230V (Max 22mA)
External Dimension	Net Weight	kg 3.5 (TBD)
	Net Dimensions (WxHxD)	mm 290 x 110 x 370 (TBD)



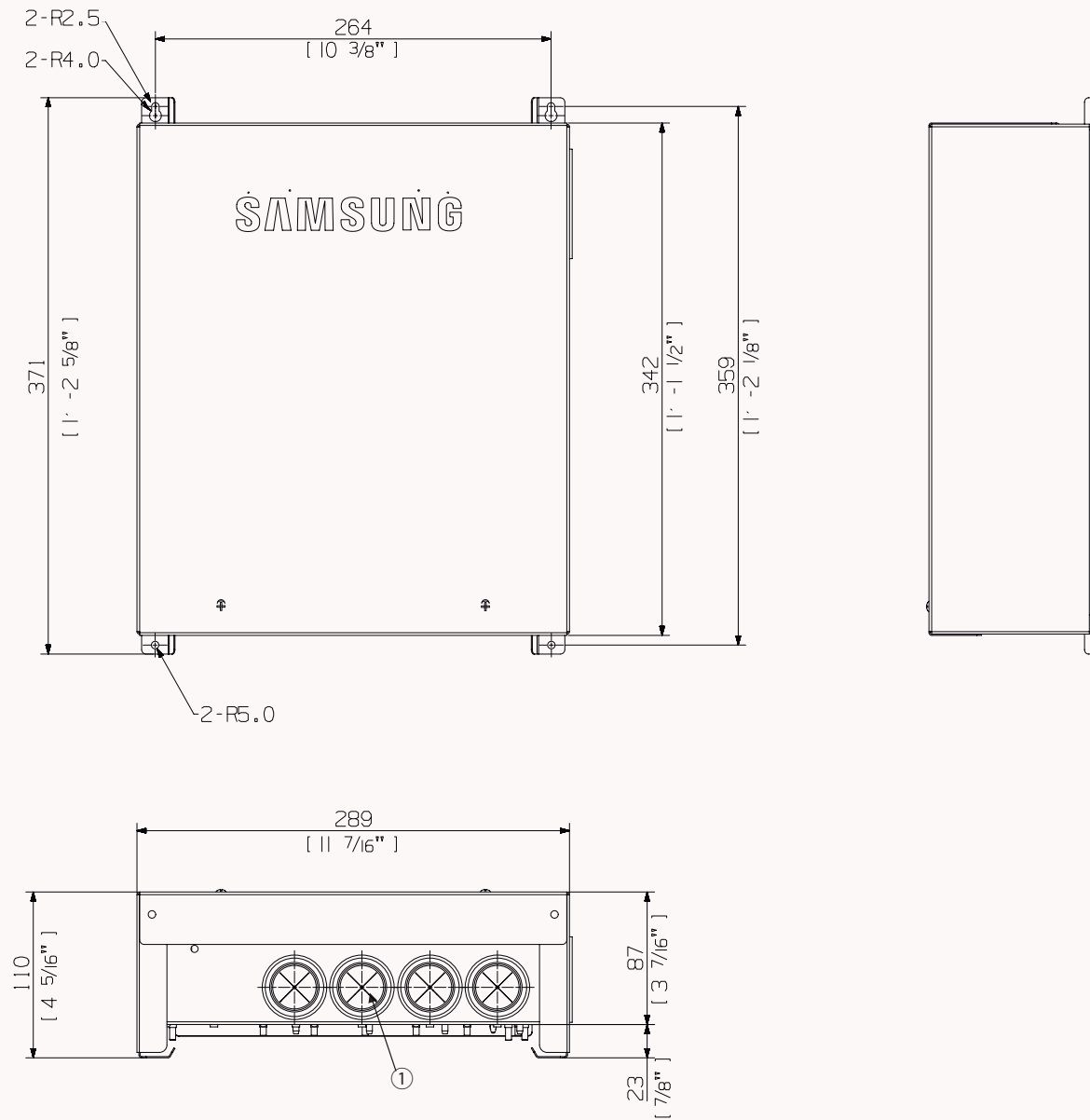
Project: Atico en el Retiro (Spain)
Project Architecture: ÁBATON
Interior Design: BATAVIA
Photography: Belén Maz

SAMSUNG

Dimensional Drawings

Mono Control Kit

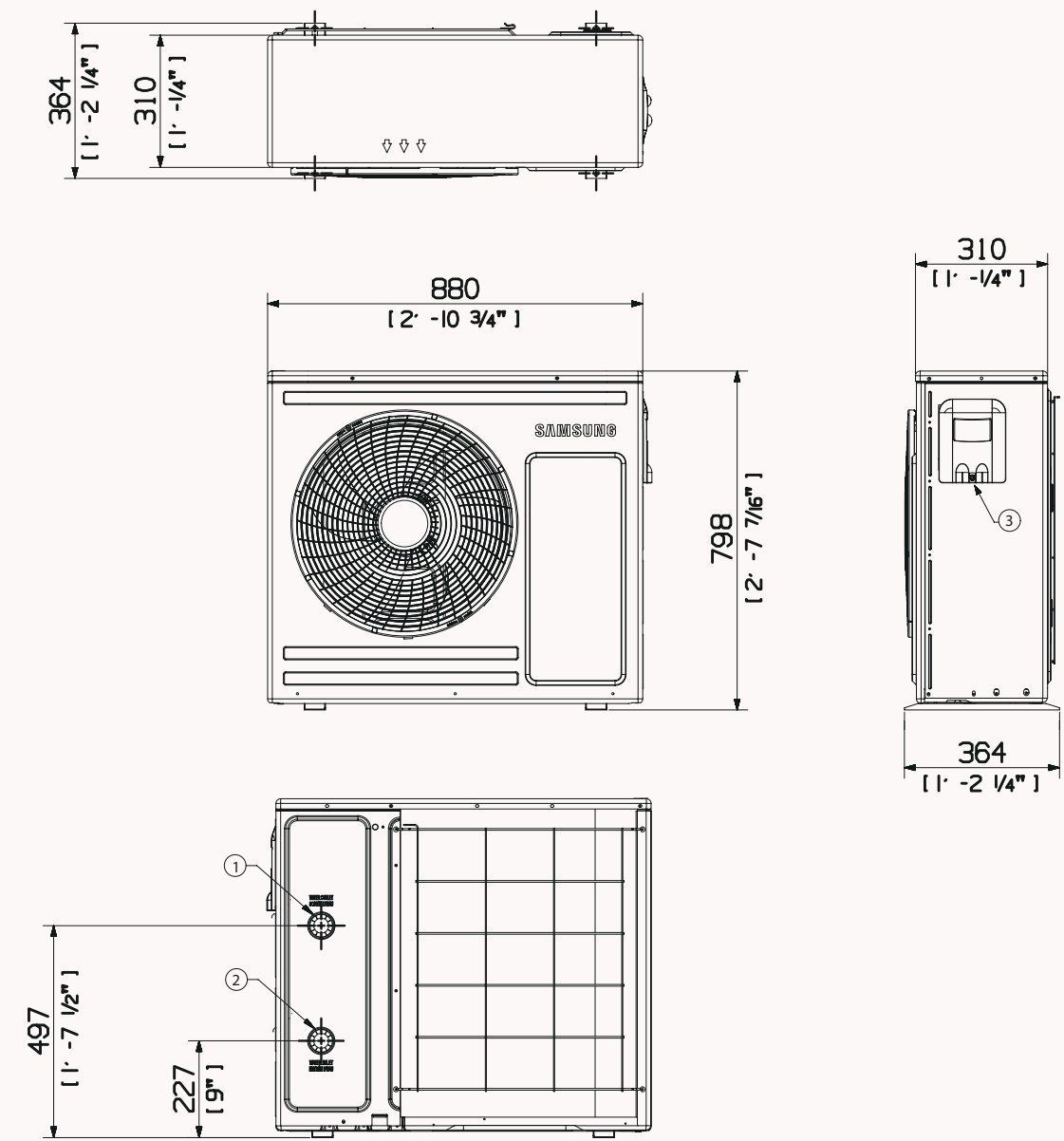
MIM-E03CN



NO	Name
1	Conduit Holes for Wiring (Rubber)

Mono Outdoor

AE050RXYDEG/EU



NO	Name
1	Water Pipe(Out)
2	Water Pipe(In)
3	Power & Communication Wiring Conduit Holes

Mono

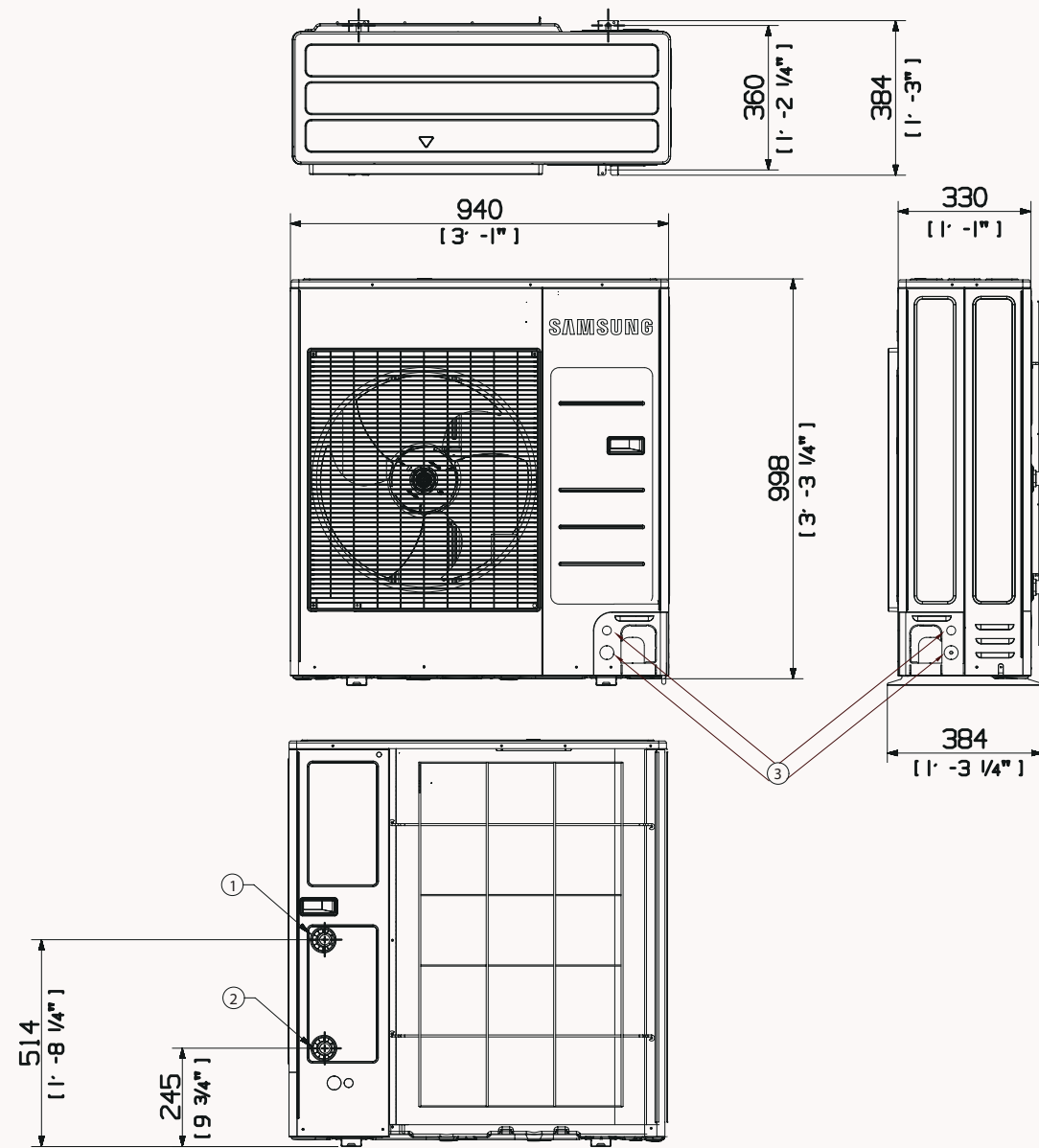
Mono

SAMSUNG

Dimensional Drawings

Mono Outdoor

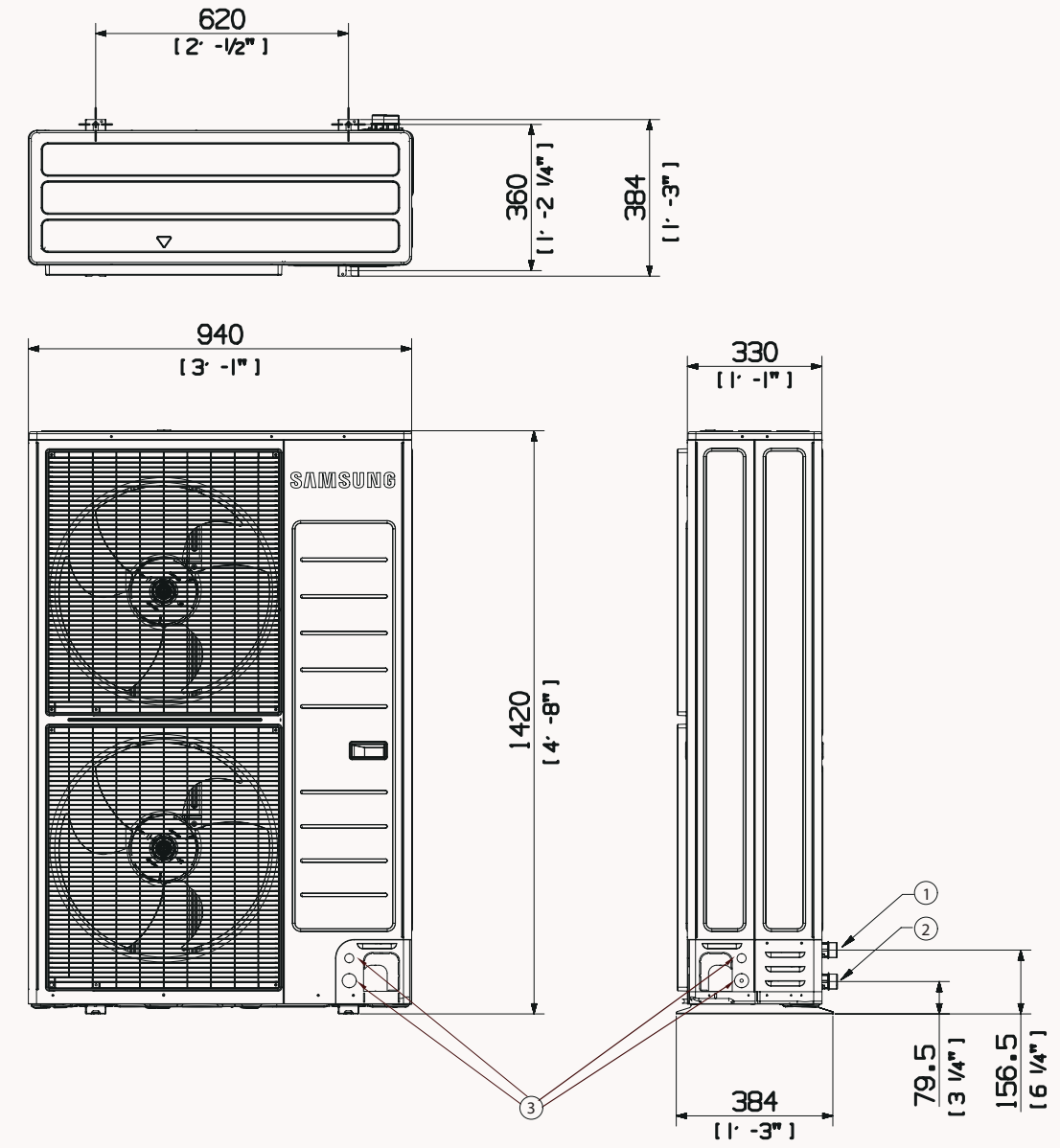
AE080RXVD*G/EU



NO	Name
1	Water Pipe(Out)
2	Water Pipe(In)
3	Power & Communication Wiring Conduit Holes

Mono Outdoor

AE120/160RXVD*G/EU



NO	Name
1	Water Pipe(Out)
2	Water Pipe(In)
3	Power & Communication Wiring Conduit Holes

Mono

Mono