

FIREVIEW ECO

Freestanding Stove Range



**Fireview Eco
Traditional Door
(T)**



**Fireview Eco
Contemporary Door
(C)**

WOODWARM STOVES (Est. 1974)

By

Metal Developments Ltd

Victor House, Greenham Business, Park, Wellington, TA21 0LR

Tel: 0188435806 Fax: 01823 672960

E-mail sales@woodwarmstoves.co.uk

www.woodwarmstoves.co.uk

Installation and Operating Instructions

Serial number M _____ E- _____ - _____



Preface

There still is nothing to equal the comfort and visual appeal of a real fire.

Our aim at Woodwarm, is to provide robust, easy to use appliances, that are designed to make clean, efficient use of what continues to be, a popular and readily available heating source.

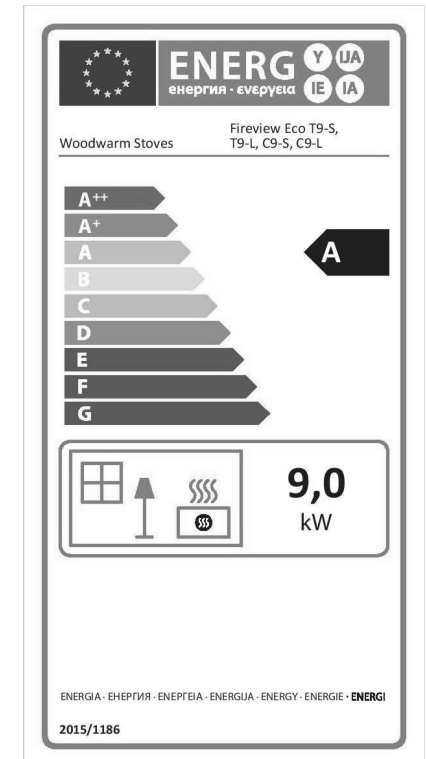
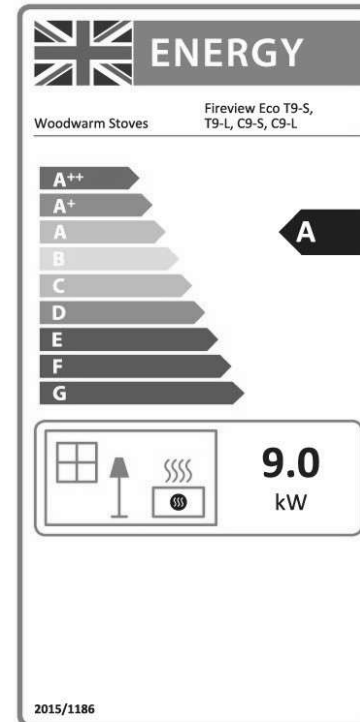
With correct operation and suitable fuel, these appliances emit very little smoke, whilst enhancing any living area.



For those that choose to purchase a Woodwarm stove, they are also helping to re-turn our vast city areas, to a healthier, more pleasant environment. In partnership with the charity 'Trees for Cities', we at Woodwarm undertake to plant one tree in the U.K, for each stove sold here. As you can imagine, doing so becomes a welcome break from production, for members of our team.

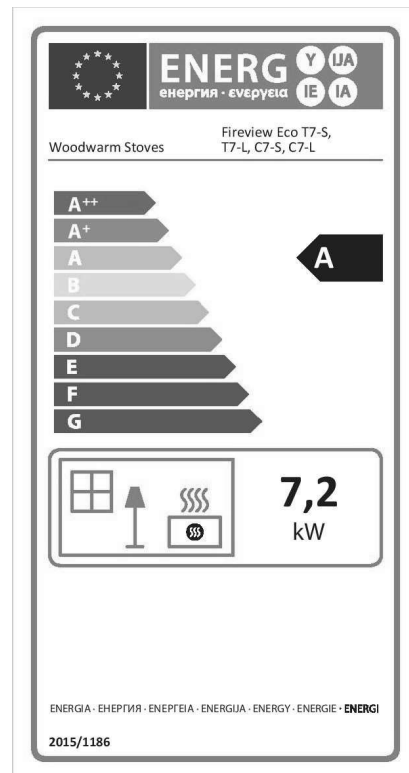
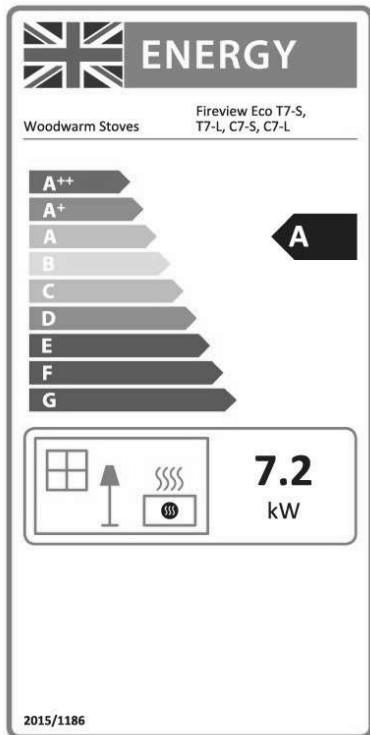
Product Fiche Fireview Eco T9-S, T9-L, C9-S, C9-L

Product Fiche	
Commission Delegated Regulation (EU) 2015/1187 Energy Labelling of Local Space Heaters	
Supplier's Name or Trademark:	Woodwarm Stoves
Suppliers Model Identifier:	Fireview Eco 9
Energy Efficiency Class of Model:	A
Nominal Heat Output to Room (kW):	9,0
Nominal Heat Output to Water (kW):	n/a
Net Efficiency (%): Wood	76.8
Solid Fuel	77.7
Energy Efficiency Index:	102.3



Product Fiche Fireview Eco T7-S, T7-L, C7-S, C7-L

Product Fiche	
Commission Delegated Regulation (EU) 2015/1187 Energy Labelling of Local Space Heaters	
Supplier's Name or Trademark:	Woodwarm Stoves
Suppliers Model Identifier:	Fireview Eco 7
Energy Efficiency Class of Model:	A
Nominal Heat Output to Room (kW):	7,2
Nominal Heat Output to Water (kW):	n/a
Net Efficiency (%): Wood	79.0
Solid Fuel	79.0
Energy Efficiency Index:	105.5



Contents

Covering the following models:

Fireview Eco T5-S (M205E-TS) Fireview Eco T5-L (M205E-TL)
Fireview Eco C5-S (M205E-CS) Fireview Eco C5-L (M205E-CL)

Fireview Eco T7-S (M207E-TS) Fireview Eco T7-L (M207E-TL)
Fireview Eco C7-S (M207E-CS) Fireview Eco C7-L (M207E-CL)

Fireview Eco T9-S (M209E-TS) Fireview Eco T9-L (M209E-TL)
Fireview Eco C9-S (M209E-CS) Fireview Eco C9-L (M209E-CL)

KEY:

S = Std Height Model L = Log Store Model
T = Traditional Door C = Contemporary Door

General Specifications.....	4
Regulations and Declaration	5-10
Pre - Installation.....	11-14
Installation Instructions.....	15-16
Commissioning.....	17
Commissioning Checklist / Registration.....	18-20
User Instructions.....	21-26
Troubleshooting.....	27-30
Maintenance.....	31-32
Spare parts.....	33-34
The Woodwarm Stove Guarantee.....	35
Useful Contacts.....	36
Fiches.....	37-39

For Illustration purposes only the Contemporary Door model has been used through-out this manual.

Metal Developments Ltd reserve the right to change sizes and specifications without notice. E&OE

General Specifications

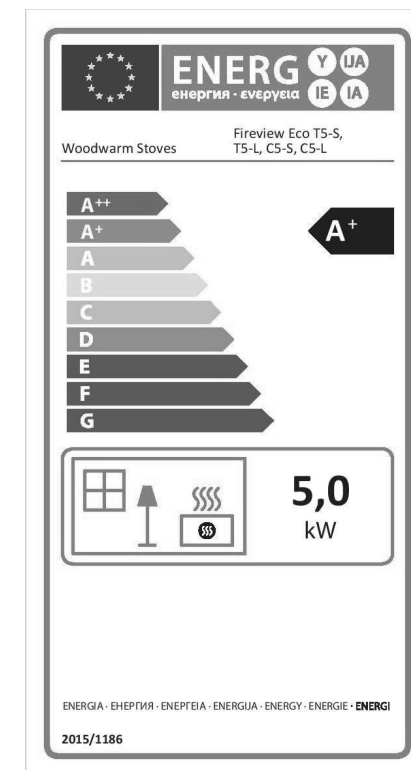
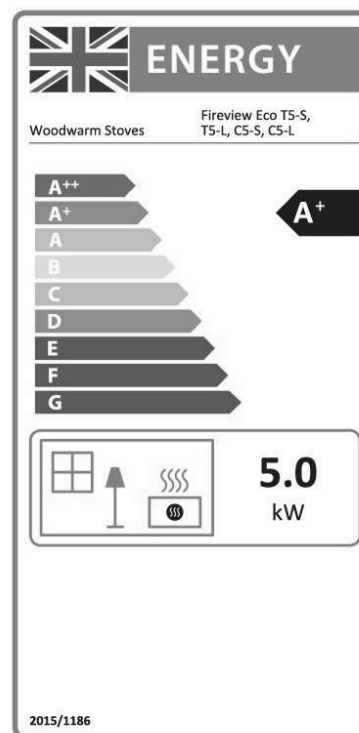


Class 1: BS EN 13240:2001 + Amd 2:2004 For Intermittent use only

Model Name / Output range Covering Variations C & T	Fireview Eco 5 S & L	Fireview Eco 7 S & L	Fireview Eco 9 S & L
Tested Nominal Heat Output	5 kW	7.2 kW	9 kW
Space Heating	5 kW	7.2kW	9 kW
Efficiency (wood) %	82.5	79.0	76.8
Efficiency (solid fuel) %	80.6	79.0	77.7
CO (wood) %	0.09	0.08	0.07
CO (solid fuel) %	0.05	0.11	0.05
OGC (wood) Nmg/m ³	102	41	43
OGC (solid fuel) Nmg/m ³	17	101	22
NOx (wood) Nmg/m ³	93	94	96
NOx (solid fuel) Nmg/m ³	122	84	96
PM (wood) Nmg/m ³	26	29	19
PM (solid fuel) Nmg/m ³	19	20	12
Minimum Clearance From Combustibles	Std. (Rear Shield)	Std. (Rear Shield)	Std. (Rear Shield)
Rear - Single wall flue	500 (300)	300 (200)	550 (250)
Rear - Twin wall flue	400 (150)	400 (150)	350 (150)
Side - Single wall flue	400 (400)	400 (400)	600 (400)
Side - twin wall flue	400 (400)	400 (400)	400 (400)
3x Flue Diameter if from Rear Flue Adaptor.	If Top Flue, Outlet shield must be used to obtain distances in green		
Test Period in hours - (wood / solid fuel)	0.83 / 1.0	0.77 / 1.0	0.75 / 1.0
Maximum Log Length (mm)	400	400	400
Overall Height Std Height (mm)	570	570	570
Overall Height Log store version (mm)	(740)	(740)	(740)
Overall Width (mm)	545	545	545
Overall Depth (mm)	345	381	417
Flue Outlet Size (mm)	150	150	150
Height to Centre of Rear Flue Std Height (mm)	457.5	457.5	457.5
Height to Centre of Rear Flue Log store (mm)	(627.5)	(627.5)	(627.5)
Top Flue Centre Line to Rear (mm)	122	122	122
Stove Fire Boards			
Baffle Board (mm)	448.5 x 235	448.5 x 270	448.5 x 270
Side Board(mm) (2no handed / 1no is notched)	269 x 296	305 x 296	341 x 296
Rear Board (mm) (In 2no parts)	449 x 208	449 x 208	449 x 208

Product Fiche Fireview Eco T5-S, T5-L, C5-S, C5-L

Product Fiche	
Commission Delegated Regulation (EU) 2015/1187 Energy Labelling of Local Space Heaters	
Supplier's Name or Trademark:	Woodwarm Stoves
Suppliers Model Identifier:	Fireview Eco 5
Energy Efficiency Class of Model:	A*
Nominal Heat Output to Room (kW):	5,0
Nominal Heat Output to Water (kW):	n/a
Net Efficiency (%): Wood	82.5
Solid Fuel	80.6
Energy Efficiency Index:	110.6



Useful Contacts

HETAS

Severn House
Unit 5, Newtown Trading Estate
Green Lane
TEWKESBURY
GL20 8HD
Tel: 01684 278170
Fax: 01684 273929
Email: info@hetas.co.uk
www.HETAS.co.uk

Solid Fuel Association

7 Swanwick Court
Alfreton
Derbyshire
DE55 7AS
Tel: 01773 835400 or 0845 6014406
Fax: 01773 834351
www.solidfuel.co.uk

Guild of Master Chimney Sweeps

Tel: 01226 242357
www.guildofmasterchimneysweeps.co.uk

The National Association of Chimney Sweeps

Unit 14 -15
Emerald Way
Stone Business Park
Stone
Staffordshire
ST15 0SR
Tel: 01785 811732
www.nacs.org.uk

The National Association Of Chimney Engineers

(N.A.C.E. Ltd)
PO Box 849
Metheringham
Lincoln
Lincolnshire
LN4 3WU
Tel: 01526 322555
Fax: 01526 888007
E-mail: info@nace.org.uk

Database of wood fuel suppliers.

National Energy Foundation (NEF)

Tel: 01908 665555
www.logpile.co.uk
Searches can be made on post code, county and by supplier.

Defra

Defra Correspondence Section
Area 4C Ergon House
c/o Nobel House
17 Smith Square
London. SW1P 2AL
Tel: 03459 335577
E-mail: correspondence.section@defra.gsi.gov.uk.

Oil Renewable Heating Technologies OFTEC

Foxwood House
Dobbs Drift
Kesgrave
IPSWICH
IP5 2QQ
Tel: 01473 626298
Fax: 01473 636536
Email: enquiries@oftec.org
www.oftec.org.uk

Association of Professional Independent Chimney Sweeps Ltd (A.P.I.C.S.)

Bryallen Henger Road
St Tudy
Bodmin
Cornwall
PL30 3PL
Tel: 0845 604 4327
www.apics.org.uk

The Guild of Master Chimney Sweeps

Ocean Deck
Clifford Road
Grays
Essex
RM16 6QL
Tel. 01375 414003
www.guildofmasterchimneysweeps.co.uk

Regulations

All local regulations, including those referring to national and European Standards including BS EN 15287, BS 6999, BS 8303 must be complied with when installing this appliance.

A carbon monoxide alarm must be fitted to BS EN 50292

Health and Safety at Work

It is the responsibility of the installer to comply with current Health and Safety Regulations, and particular attention should be given to the following:-

Asbestos

This stove contains no asbestos. If there is a possibility of disturbing any asbestos in the course of installation, then please seek specialist guidance and use appropriate protective equipment.

Handling

This stove is heavy! Adequate facilities must be available for all handling operations and its final manoeuvre into position. In order to lighten the stove, the main door may be removed. The grate bars can also be removed.

Glass

Care should be taken when handling the door that the glass is not knocked. The door is double glazed.

Fire Cement

Some types of Fire Cement are caustic and should not be allowed to come into contact with the skin. In cases of contact, wash off with plenty of water.

Electrical

If any electrical components are used in the installation they should be installed in accordance with the manufacturers installation instructions. All wiring must comply with the current I.E.E regulations and the by-laws of the local water authority.

Air Supply

All appliances of this nature require an adequate supply of air to perform safely and cleanly. Building Regulations dictate that an air vent of some type (usually an air brick) must be fitted into an exterior wall to allow sufficient flow of air into the fire. **Air Inlet grills must be non adjustable and positioned where they are not liable to blockage.** Extractor fans must not be placed within the same room as the appliance, as this can cause flue reversal and fumes to be emitted.

Older properties may have enough natural inwards air leakage (air permeability) to allow appliances of 5kW or less, a sufficient air supply.

Modern properties built to a high level of airtightness (less than 5m³ per hour per m² air permeability), require an air vent for **All** appliances including those below 5kW. Such properties now have a certificate stating the level of air leakage found during completion.

In all cases, the current requirements should be met and suitable measures taken to satisfy each installation, bearing in mind recent and likely alterations.

More information is available by following this link:
www.hetas.co.uk/wp-content/mediauploads/Ventilators2.pdf

Hearth

The stove must stand on a fireproof hearth, which must be at least **127mm thick and constructed of a non-combustible material**. The positioning of the stove and the size of the hearth is governed by Building Regulations for Class 1 Appliances. These regulations state that the hearth must extend at least **225mm** in front and **152mm** to the side of the stove. This can be covered with decorative tiles, so long as these are also non-combustible.

Superimposed Hearth

In certain circumstances, Building Regulations allow for a Super imposed hearth. **This must be a minimum 12mm non-combustible material** e.g. slate, glass or steel. **These stoves are approved for use wherever this hearth type is applicable**

The Woodwarm Stove Guarantee

Metal Developments Ltd offer a ten year guarantee which covers the main structure of the stove, including the construction and quality of workmanship. If you do not fill in your guarantee form and return it to us, you will still have, Under the Consumer Rights Act 2015, a one year manufacturers guarantee, but not the full ten year entitlement .

In the unlikely event of any failure, we will replace any defective part free of charge, labour cost excluded.

This guarantee is invalid if the stove is not assembled, installed or operated as per these instructions, or does not comply with current building regulations and any regional legislation in force at the time.

Metal Developments Ltd does not guarantee the onsite assembly, installation or operation of the stove. Please seek advise from your stove supplier / installer for any relevant guarantees applicable to the installation.

Metal Developments Ltd will not be held liable for any consequential or incidental loss, damage or injury, however caused.

Claims under this guarantee should be first made through your Woodwarm Stove retailer.

This guarantee is only applicable in the UK.

Nothing in this guarantee shall effect your statutory rights.

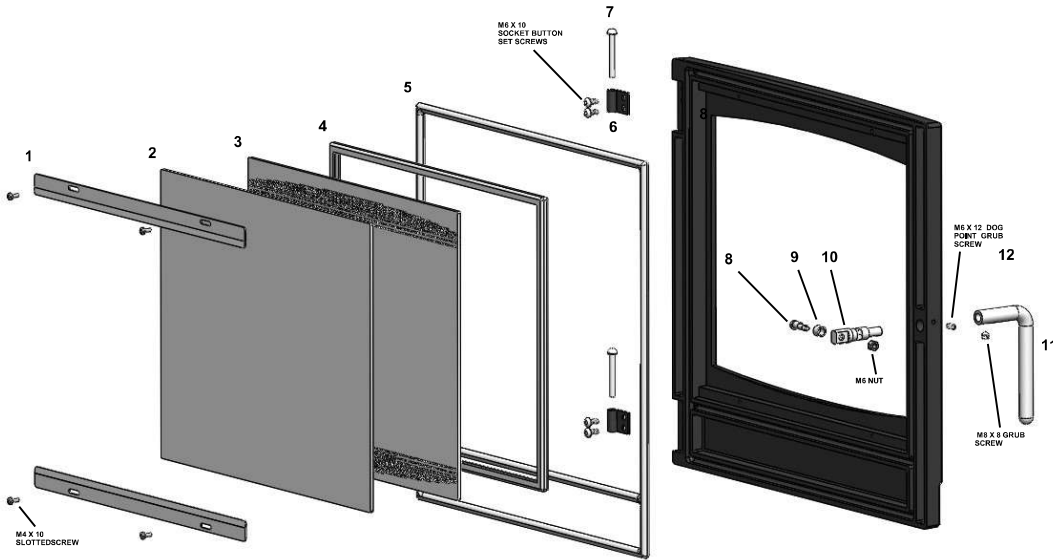
Exclusions

The following consumable parts are not covered by this guarantee :-

- **Swivel Fire Bars**
- **Log guard**
- **Operating Tool**
- **Fireboards (including baffle)**
- **Glass Panels**
- **Door Seals**
- **Paint** is also excluded from the guarantee as it will eventually deteriorate due to the normal working of the stove

Your assistance is requested by filling in and returning the product Registration and Guarantee Form. This will help maintain our records and assist us in identifying your stove in the unlikely event of any problem occurring, and also when you need to order any spare parts.

Spare Parts - Door Assembly



Ref.	Description	No
1	GLASS RETAINERS	2
2	INNER GLASS PANEL SHOWN HERE C Variation (PLAIN) (STATE MODEL)	1
3	OUTER GLASS PANEL SHOWN HERE C Variation (SCREEN PRINTED) (STATE MODEL)	1
4	GLASS LADDER ROPE (1380 MM)	1
5	MAIN DOOR ROPE (14MM DIA. X 2050MM)	1
6	HINGES	2
7	HINGE PINS (6MM DIA. X 50MM)	2
8	CAM SCREW & M6 NUT	1
9	CATCH ROLLER	1
10	DOOR SPINDLE	1
11	DOOR HANDLE	1
12	HANDLE ADJUSTING SCREW (M6 X 16 dog point grub screw)	1

Stove Site and Minimum Clearances

There must be **no combustible** material (i.e. plaster board, wooden wall panels, skirting boards, beams etc) **within a specified distance to the rear and sides of the stove. These can be found on table 1, page 7.** The clearance between the stove and any non-combustible surface is recommended as **not less than 152mm from the side or rear and 300mm from above.**

Chimney and Flue

The chimney should be thoroughly swept and examined for soundness. If the chimney is not lined, then we strongly recommend that before use, it is fully lined with a **Class 1 Liner and insulated (we recommend no more than 600mm single skin flue from the appliance).** It is not advisable to only partially line a chimney, as this will only create further problems where the lining finishes. If there are even the smallest air breaks in the mortar, the chimney is not suitable for a wood stove. When hot flue gases rise up the chimney, it will pull cold air through any small break. This cools the flue gases at that level, causing wood tar to precipitate at that point on the chimney wall. Soon, this will accumulate across the chimney and constrict it, stopping the fire burning properly. Eventually, this will not only lead to a chimney fire, but will further rot the chimney structure. If the chimney is not lined and was previously used for an open fire, then there is a possibility that the higher temperatures produced by this closed appliance will loosen deposits. It will be necessary to have the flue swept and inspected by a registered sweep one month after the initial installation.

In the absence of a chimney, one of the following must be used either internally or externally:- a prefabricated block chimney, a conventionally constructed chimney with a Class 1 liner, or a twin walled insulated flue to BS 4543. **The internal diameter must not be less than that of your particular appliance.** Flues must be fitted in accordance with the manufacturers' instructions and according to local Building Regulations. If there is any doubt over the flue connection or the installation, consult your nearest professional installer, or the Building Inspector at your local council. The minimum flue size for these stoves varies according to the model. Refer to the specification sheet (table 1 page 3) for the minimum flue diameter. **If possible, line the chimney with a flue liner that is at least 25mm (1") larger than that of your particular stove and avoid long lengths at minimum diameter.** At no point in the flue should it be below the minimum flue diameter. When the stove is to be connected to an existing fireplace, this will need sealing to the flue by a register plate, which can be mounted horizontally or vertically.

This appliance is unsuitable for use in a shared flue system. If elsewhere in the house another fireplace feeds into the same chimney, this **must** be sealed, otherwise flue gases or air may be drawn into, or escape from, the other chimney or fireplace. This would contravene Building Regulations as it is potentially very dangerous.

Whichever flue option you choose to use, **Do not forget to position a cleaning access** (if applicable) in your flue and chimney that is easily accessible for sweeping. **Note:** Clay liners can create a cool upper internal temperature which can lead to condensation problems, especially if the liners are not back insulated. If a clay liner is already in place we recommend lining with Class 1 liner.

! This appliance must be fitted by a registered installer or the installation approved by your local building control officer

The clean air act 1993 and Smoke Control Areas

Under the Clean Air Act local authorities may declare the whole or part of the district of the authority to be a smoke control area. It is an offence to emit smoke from a chimney of a building, from a furnace or from any fixed boiler if located in a designated smoke control area. It is also an offence to acquire an "unauthorised fuel" for use within a smoke control area unless it is used in an "exempt" appliance ("exempted" from the controls which generally apply in the smoke control area).

In England appliances are exempted by publication on a list by the Secretary of State in accordance with changes made to sections 20 and 21 of the Clean Air Act 1993 by section 15 of the Deregulation Act 2015. In Scotland appliances are exempted by publication on a list by Scottish Ministers under section 50 of the Regulatory Reform (Scotland) Act 2014. Similarly, in Northern Ireland appliances are exempted by publication on a list by the Department of Agriculture, Environment and Rural Affairs under Section 16 of the Environmental Better regulation Act (Northern Ireland) 2016. In Wales appliances are exempted by regulations made by Welsh Ministers.

Further information on the requirements of the Clean Air Act can be found here:

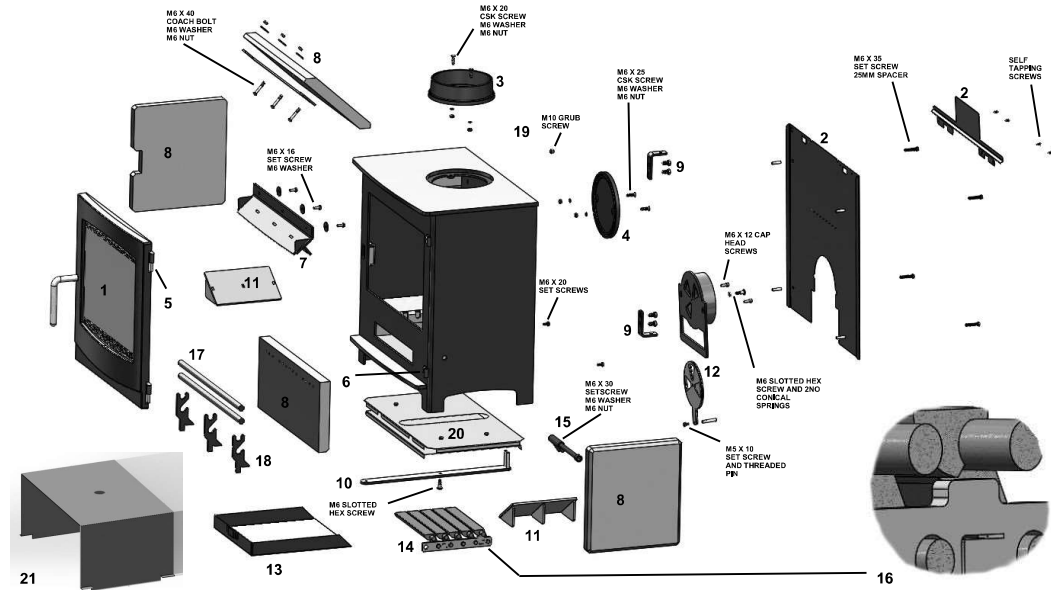
<https://www.gov.uk/smoke-control-area-rules>

Your local authority is responsible for implementing the Clean Air Act 1993 including designation and supervision of smoke control areas and you can contact them for details of Clean Air Act requirements.

The Fireview 5kW Eco range (M205E-TS/ M205E-TL / M205E-CS / M205E-TS), Fireview 7kW Eco range (M207E-TS / M207E-TL / M207E-CS / M207E-CL), Fireview 9kW Eco range (M209E-TS / M209E-TL / M209E-CS / M209E-CL) have been recommended as suitable for use in smoke control areas when burning wood logs.

Each of the above models are factory fitted with a permanent stop to limit closure of the air control when installed within a smoke control area.

Spare Parts - Main Assembly



Fume Emission

Warning Note

When properly installed, operated and maintained this stove will not emit fumes into the dwelling. Occasional fumes from de-ashing and re-fuelling may occur. However, persistent fume emission is potentially dangerous and must not be tolerated. If fume emission does persist, then the following immediate action should be taken:

- Open doors and windows to ventilate the room and then leave the premises.
- Let the fire go out.
- Check for flue or chimney blockage and clean if required
- Do not attempt to relight the fire until the cause of the fume emission has been identified and corrected. If necessary seek expert advice.

The most common cause of fume emission is flue way or chimney blockage. For your own safety these must be kept clean at all times.

Ref.	Description	No	
1	DOOR ASSEMBLY	1	
2	REAR HEAT SHIELD ASSEMBLY (INCLUDING OUTLET SHIELD - USED WHEN TOP FLUE)	1	
3	FLUE OUTLET CASTING (6") (MUST INCLUDE ROPE SEAL)	1	
4	HOT PLATE CASTING (6") (MUST INCLUDE ROPE SEAL)	1	
5	HINGE PINS (6MM DIA. STAINLESS STEEL)	2	
6	STOVE HINGE	2	
7	AIR DEFLECTOR	1	
8	BOARD SET (STATE MODEL)	1	
9	WALL BRACKETS (CAN BE OPTIONALLY USED TO ADD STABILITY)	2	
10	AIR CONTROL LEVER (STATE MODEL)	1	
11	GRATE INFILLS (STATE MODEL)	2	
12	AIR CONTROL ASSEMBLY	1	
13	ASHPAN (STATE MODEL)	1	
14	RIDDLE BAR ASSY. (C305 Riddle bar)	5KW 5NO - 7KW 6NO - 9KW 7NO	5,6,7
15	RIDDLE CONTROL	1	
16	GRATE LINK BAR (STATE MODEL) (ENSURE TAB IS AT REAR - FACING UP)	1	
17	LOG GUARD BARS (STATE MODEL)	2	
18	LOG GUARD SUPPORT CLIPS	3	
19	FLUE TEST POINT SCREW (M10 x 8 socket grub screw)	1	
20	BASE HEAT SHIELD ASSEMBLY (2NO SHIELDS)(MUST BE FITTED TO ALL MODELS IN RANGE)	1	
21	LOG STORE SHIELD (MUST BE FITTED ON LOGSTORE VERSION MODELS IN RANGE)	1	

Glass panels

There are two panels of glass in each door. Unlike standard Glass products, these are made of a clear heat resistant ceramic, designed to withstand high temperatures.

CLEANING

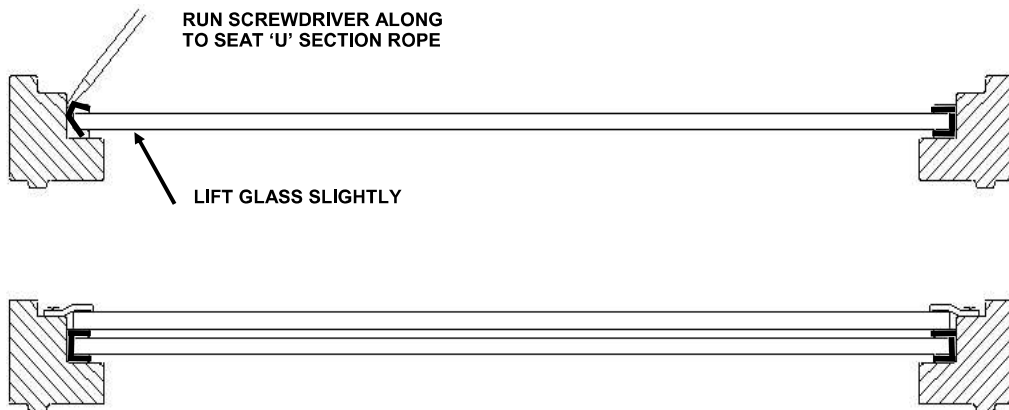
The glass is best cleaned when cold. Light deposits can be removed with a dry cloth, and more stubborn deposits removed with a proprietary stove glass cleaner.

REPLACEMENT

Remove the door, as described (page 12), then lay it face down - preferably on a soft surface, being aware of the door handle protruding downwards. The glass retainers can be removed (see page 35), followed by the inner glass panel (nearest to the fire).

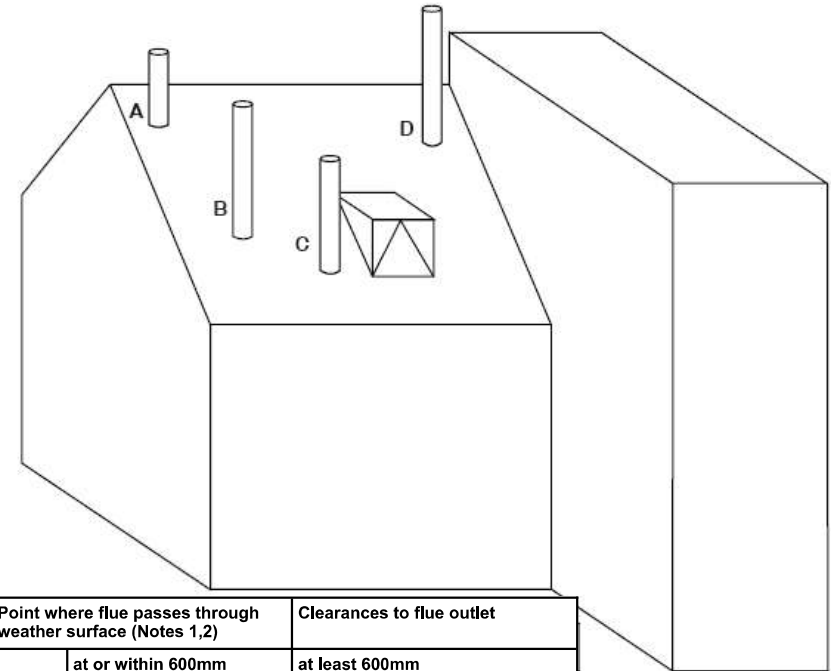
The outer glass panel (furthest from the fire / screen printed) is mounted within a 'U' section fibre glass ladder rope which should surround all the edges. When replacing this glass panel, the 'U' section ladder rope may slip out of position as the glass is fitted. A screwdriver can be slid along this area whilst lifting the glass slightly, in order to roll the rope seal back in. The second or inner panel fits directly on top of the outer, and is held lightly by the top and bottom glass retainers and (M4 x 10mm) machine screws. It is recommended to apply some heat resistant copper grease or graphite grease to the screws and only lightly pinch the glass down with the retainers (if pressed with finger tips, the glass retainer and glass, should further compress slightly).

The stove requires both glass panels and all seals, to be both in place and in good condition, in order to operate correctly and safely.



Flue Outlet Configuration

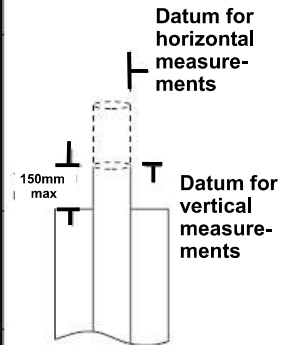
With acknowledgement to Building Regulations



Point where flue passes through weather surface (Notes 1,2)	Clearances to flue outlet
A	at or within 600mm of the ridge at least 600mm above the ridge
B	elsewhere on a roof (weather pitched or flat) at least 2300mm horizontally from the nearest point on the weather surface and: a) at least 1000mm above the highest point of intersection of the chimney and the weather surface; or b) At least as high as the ridge
C	below (on a pitched roof) or within 2300mm horizontally to an openable roof light, dormer window or other opening. (Note 3) At least 1000mm above the top of the opening
D	within 2300mm of an adjoining or adjacent building, whether or not beyond the boundary (Note3) at least 600mm above the adjacent building

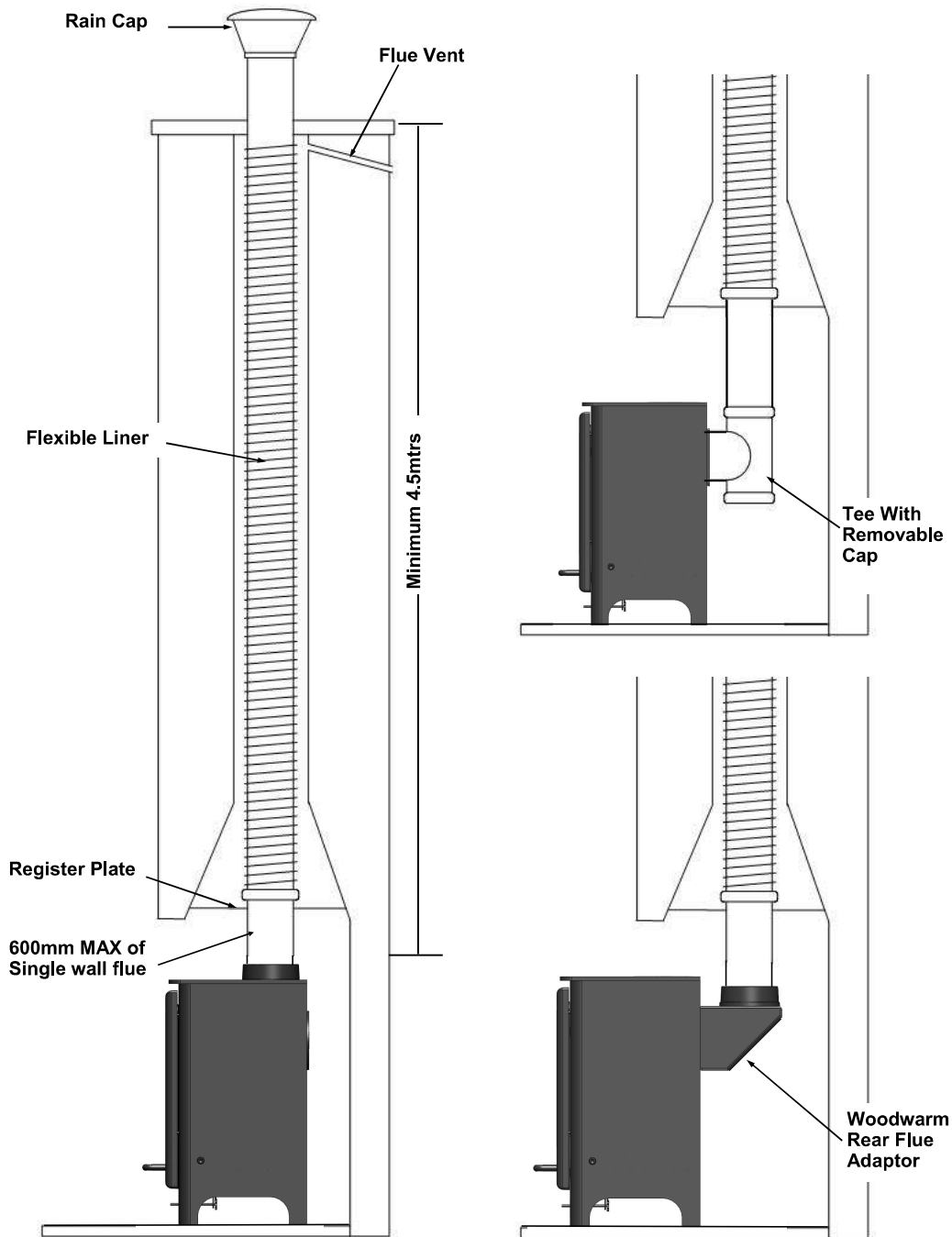
Notes

- 1) The weather surface is the building external surface, such as its roof, tiles or external walls.
- 2) A flat roof has a pitch less than 10°.
- 3) The clearances given for A and B, as appropriate, will also apply
- 4) A vertical flue fixed to an outside wall should be treated as equivalent to an inside flue emerging at the nearest edge of a roof.



The datum for vertical measurements is the point of discharge of the flue, or 150mm above the insulation, whichever is the lower

Flue Outlet Configuration



Maintenance

General

DAILY

Ensure that the stove door is attached correctly and will shut safely before use. Empty the ashpan when barely full, rather than allowing it to overfill and impede under grate airflow. Run the stove hot for a period to ensure optimum temperature is reached. This will assist in cleaning any marginal deposits of tar from the door glass, stove, flue and chimney internally.

WEEKLY

Check any rope or fire cement for soundness. Ensure that any Tertiary air holes (Row of holes in the rear fireboard) are unobstructed by ash / soot. These can be hoovered out when the stove is cold or the rear board removed and cleaned (**see Pre installation section - Fire board removal**). Ensure that the ash pit is clear of ash all the way to the rear, by removing the ashpan and inspecting. Ash allowed to build up here would obstruct air flow. Also, clear any clinker or nails from the grate bars, link bar and supports.

TWICE YEARLY

Lubricate the door catch if needed, with a high temperature or graphite based lubricant and check for correct function. Check the condition of the fireboards / seals and replace if deteriorated. Remove and clean over the baffle and clear flue ways, (more often if burning solid fuel). A visit from the chimney sweep will remove the small amount of ash dust which forms in the chimney. (**see last page for contact details**).

If the stove is to be left unlit for any period of time ensure that, the air vents are left open and the door catch is well lubricated. Maintain the paint surface solely with a soft dry cloth and nothing more. The paint used is both durable and heat proof, but is porous and therefore not waterproof. Before lighting the stove after a long period out of use, check that all flue ways are clear of obstructions.

Appliance continued

Symptom	Cause	Solution
Strong smell after lighting	Paint coat is curing on stove	This does occur on initial lightings. Ventilate the room well and move to another, room during curing
	Creosote is being produced in the flue due to wood moisture level above 20% or continuous use at a low temperature	Use wood with less than 20% Moisture Use at higher temperature for at least short periods each time the stove is lit in order to bake off deposits
	Twin wall flue insulation has become damp inside If this smell disappears quickly, it may be only atmospheric moisture. If not, the flue/ chimney may be leaking in water	If continuous, have flue/ chimney system examined.
Chimney Fires	Tar has formed due to burning wet wood or appliance run at low temperature General lack of chimney cleaning	In all cases Close the appliance air controls right down and ensure the door is closed in order to help starve the chimney fire of air After a chimney fire Chimney or flue will need inspecting / sweeping Consult your installer

Pre - Installation

! Care must be taken not to damage the underside Air controls when moving the stove on trucks.

General

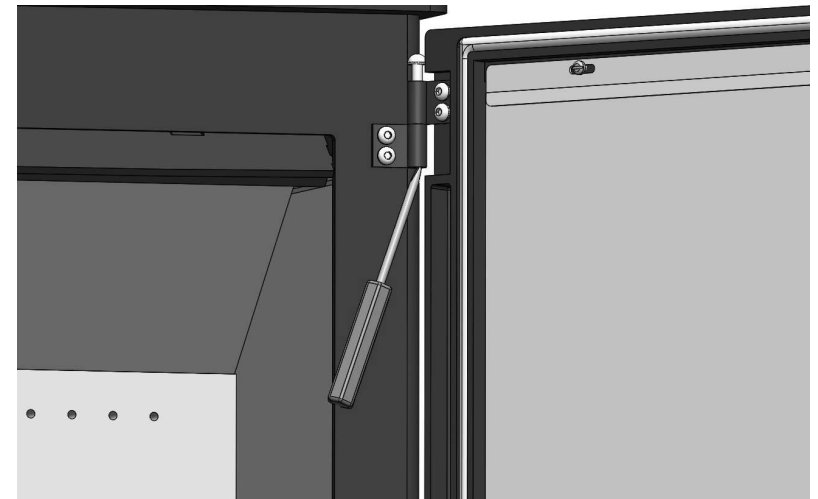
Installation is best performed with the door and internal components removed prior.

PACKING LIST

- Instruction booklet (with stove registration form)
- Leather Glove (necessary for handling stove when hot)
- Stove tool (for grate riddle, air control operation and ashpan carrying)
- Wall / Floor Brackets (supplied with slender or tall models)
- Log Guard (bars sat on supports -help retain fuel when door is opened)
- Grate infills (plates that direct ash towards the grate for use with smokeless fuel)
- Fire Board set (material that lines the firebox – take care, this is easily damaged)
- Ash pan (aids removal of burned fuel waste)

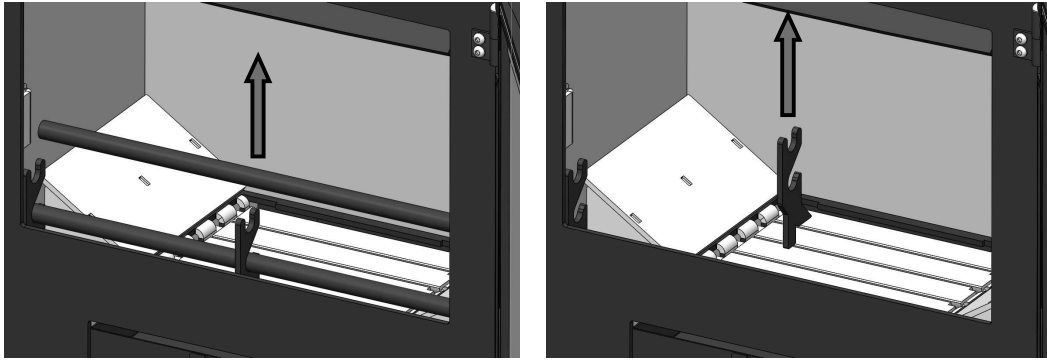
Door removal

Once opened and with the weight supported, the door can be removed by pushing each hinge pin upwards using a small screwdriver. This operation is best undertaken with 2no persons, in order to avoid damage due to sudden dropping of the door.



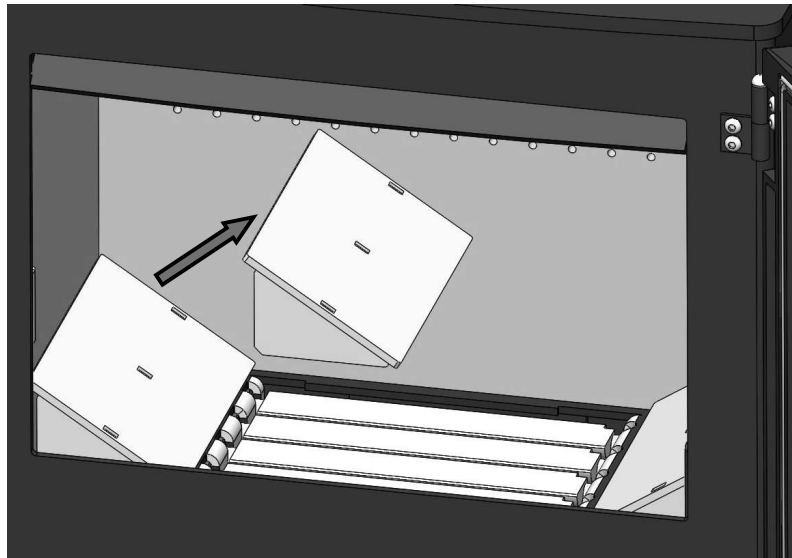
Log Guard removal

The Log guard bars can be removed, and the log guard support clips lifted out from their slots.



Grate Infill removal

These can simply be lifted away from either side of the stove.



Smoke emissions continued

Symptom	Cause	Solution
		In all cases Ventilate room and exit, allowing the fire to go out. Unblock vents / turn fans off
Blocked air vents or extractor fans creating negative room pressures		
Vents sited in unsuitable places can add to negative room pressure problems		Have Chimney/ stove Inspected If problem persists Consult your installer
Continuous smoke spillage into room during running with door closed (continued)	Weather conditions or flue terminal position can effect performance	Consult your installer
	Down draught condition caused by nearby trees, buildings	Consult your installer

Appliance

Symptom	Cause	Solution
	Wood moisture level above 20%	Use wood with less than 20% Moisture
Inside of stove and glass dirty	Appliance run at low temperature which promotes tar and smoke (this is common with overnight burning and should be avoided)	Use at higher temperature for at least short periods each time the stove is lit in order to bake off deposits Avoid loading the stove up when firebox temperature is too low or starving a fuel load of air

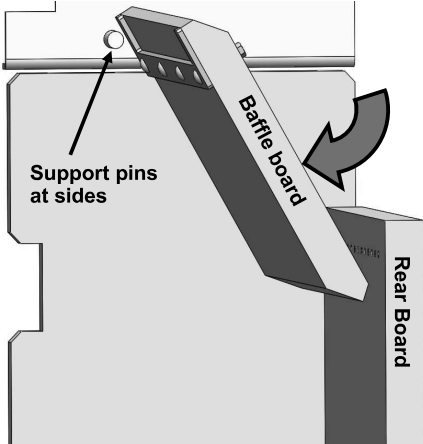
Smoke emissions

Symptom	Cause	Solution
Excessive smoke produced from Chimney	Refuelling onto a cold fire bed and or adding too much fuel	Ensure that good embers exist prior and reduce size of and amount added
	Operation with the door left open	The appliance door must be closed except when refuelling
	Air control/s too far open	Reduce settings but note: (Starving a fuel load of air can result in poor / dirty combustion)
	Wood moisture level above 20%	Use wood with less than 20% Moisture
Excessive smoke spillage into room at lighting stage	Wood moisture level above 20% causing excessive smoke	Use wood with less than 20% Moisture
	Low flue draught (blocked flue)	Have Chimney swept / inspected
	Insufficient initial fuel load means constant door opening when flue is cold, flue draught is low and fire is creating more smoke	Use plenty of kindling / intermediate fuel and allow to burn well prior to refuelling
	Opening door at high fire when long flames exist	Allow time for flame length to reduce and fire to settle prior to refuelling.
Continuous smoke spillage into room during running with stove door closed	Poor, blocked flue	In all cases Ventilate room and exit, allowing the fire to go out
	Flue leaking in air, reducing draught	
	Stove seals /parts missing or damaged	Have Chimney / stove Inspected & swept If problem persists Consult your installer
	Baffle board incorrectly placed or blocked	
Flue size too large / not tall enough		

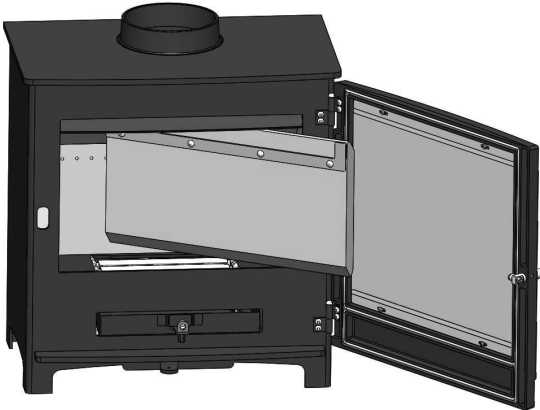
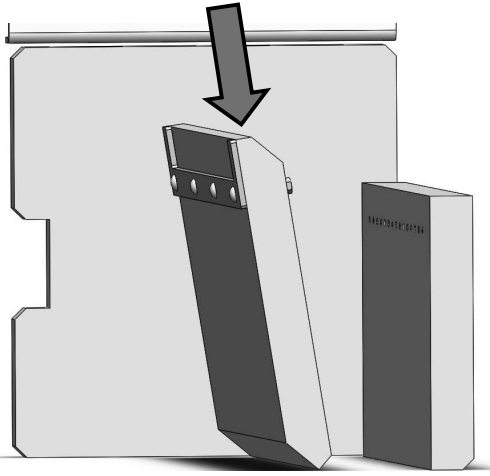
Fire Board removal

The interior of the fire chamber is lined with 30mm Mica based fire resistant board. This helps protect the stove and maintain efficiency. There are five pieces comprising of 2no side boards , a 2no piece rear board with a row of air holes in and a baffle board. These boards are fragile and require **handling with care**, especially when refuelling the stove. They are considered a consumable product and as such, are not covered by warranty. Take care to replace rear fireboard.

Step 1
With all internals removed (including Log clips), swing the Baffle board away from where it sits upon the Rear board. The top edge will slide down and away from the support pins.

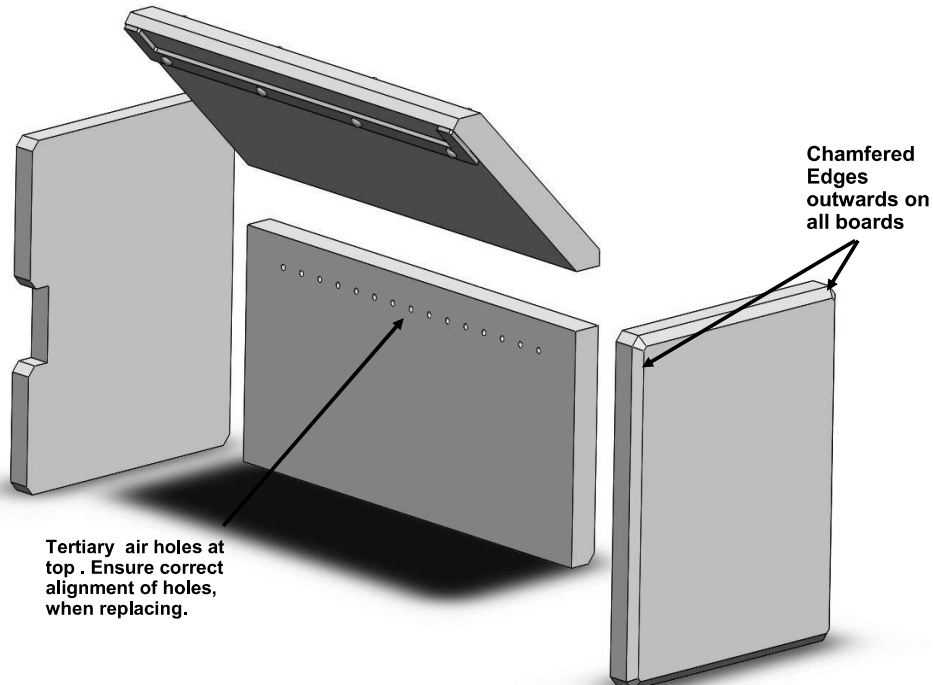


Step 2
Lower the Baffle board fully within the stove while keeping upright as shown below.



Step 3
Withdraw the Baffle board, through the door opening as shown. The Rear and Side boards can then be removed, in a similar manner.

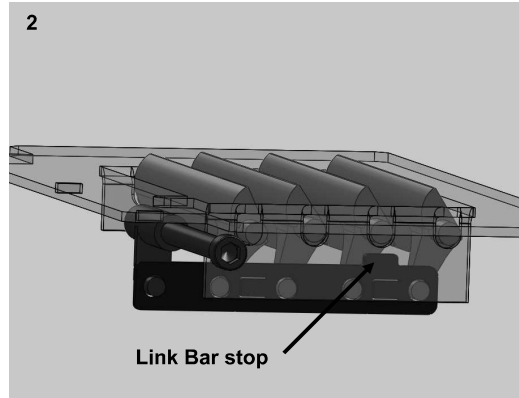
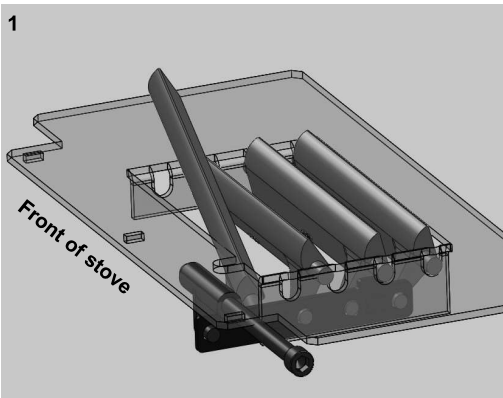
Fire Board assembly



Grate bar removal

The Grate bars (green) can be removed individually by opening the grate to the position shown in diagram 1 & 2. The left hand end of each bar can now be lifted to disengage the remaining end from the Link bar (blue).

Note that if the link bar (blue) is removed, it has to be installed with the stop (arrowed) to the rear of the stove, facing upwards. Failure to do so will result in the grate becoming continually disconnected.



Troubleshooting

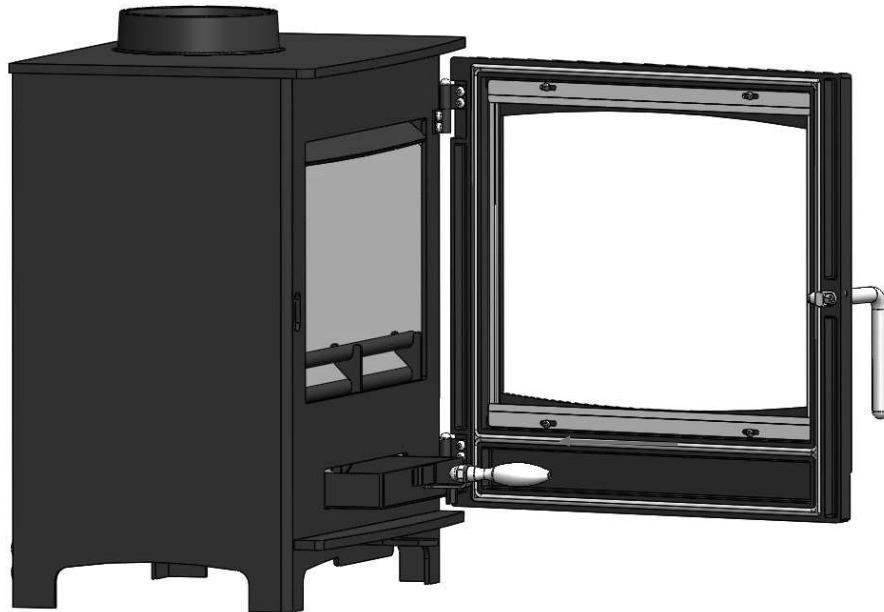
Operation

Symptom	Cause	Solution
Difficulty lighting	Wood moisture level above 20% (blue smoke seen from chimney)	Use wood with less than 20% Moisture (Short, well split logs stored under cover with sides open dry the quickest)
	Large fuel added too quickly	Use intermediate size of wood prior to full logs
	Low flue draught	Have Chimney swept / Inspected
		If problem persists Consult your installer
	Rear of Ashpit full of ash preventing air flow Grate completely covered in ash	Clean out Ashpit at rear Clear a small area to allow air up through grate
Low heat output Or Excessive fuel consumption	Wood moisture level above 20% (blue smoke seen from chimney) or poor quality fuel	Use wood with less than 20% Moisture Change fuel type for higher quality
	Worn rope seals or door adjustment causing air leaks	Renew rope seals / Re-adjust door closure
High heat output and excessive fuel Consumption Likely damage !	Air control/s too far open	Reduce settings but note: (Starving a fuel load of air can result in poor / dirty combustion)
	Fuel load too large	Do not overload as heat damage can occur
	Flue draught too high	Consult your installer

! It is beneficial to leave a good bed of ash within the stove, when burning wood. This offers extra protection to the grate and fireboards however, when lighting, it may be necessary to clear a small area of ash in order to allow air up through the grate.

Do not allow ash to build up below the grate. This can cause the grate to overheat.

When required, the ashpan can be removed by opening the door and inserting the lifter part of the tool into the ashpan, forming a handle.



! Fire Risk - Only dispose of cold ash into a non-combustible container and remove from inside the building. Hot embers may still be present !

Installation Instructions

Positioning and levelling the stove

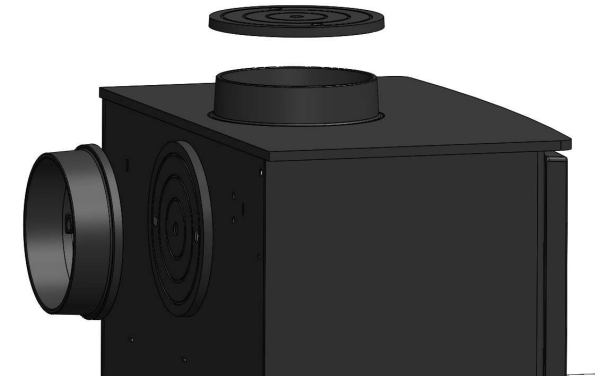
! Extractor fans or cooker hoods must not be situated within the same room as the appliance, as these can cause the appliance to emit fumes due to flue reversal.

! This stove must not share a flue with another appliance.

Level the stove on the hearth by adjusting the hex screws on the base. Ensure that the stove position satisfies any required distances to combustibles (table on page 5), and advice on pages 6 -11 where relevant. Logstore or tall models are supplied with wall brackets to assist

Flue collar and Hot plate position

The Flue collar and Hot plate position can be changed, according to the installation requirements. Each casting has a rope seal and is bolted on with 2no slotted screws, washers and hex nuts.



Connecting the flue

Connect the flue pipe to the stove making sure to seal all joints. Reinforce with Stainless Steel self-tapping screws to prevent connections opening with heat expansion.

Re-assembly

Replace the relevant internal components in reverse order of removal in the Pre-Installation section (detailed in pages 12-15).

Ensure that the Rear board has the Tertiary air holes uppermost and that holes in the board are aligned with those of the stove body. Ensure that chamfered edges of boards, face outwards at the bottom.

Also ensure that all connections and seals are made sound.

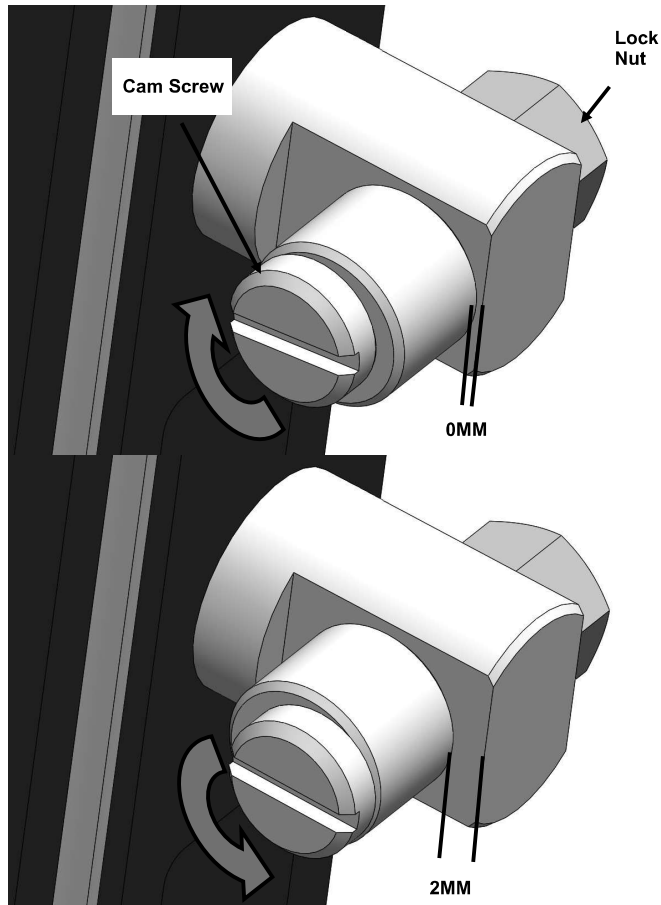
Door Adjustment

Rehang the door ensuring that the door catches operate correctly and that the door rope seal is good. A good rope seal is achieved when a piece of paper can be very lightly gripped between the closed door and stove body, when tried externally, at the corners and mid points.

A rope that is not brittle can be plucked out of its groove in order to remake the seal, particularly if over compressed in certain areas.

Although factory set, the catch can be adjusted if required, by first slackening the lock nut, and then turning the Cam Screw in order to give more or less 'pull', as the door is shut. Retighten the lock nut then close the door and check that the handle closes easily and the door seal is correct. If insufficient catch adjustment can be made, the door rope may need to be replaced with new.

The handle position can also be adjusted for vertical, by the small M6 Grub screw in the side of the door.



Fuel consumption

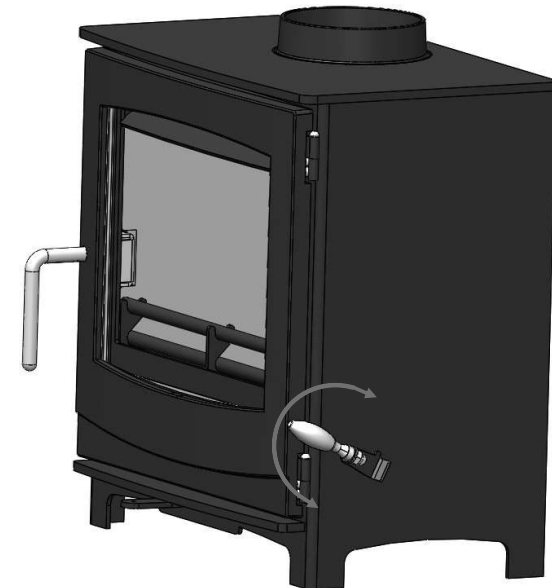
The table below is a guide to the volume of fuel required per hour, for the output of various models.

It must be realised that these figures are approximate and do not allow for variables such as fuel quality, flue or atmospheric conditions.

Appliance Output	Kg/hour Wood	Kg/hour Smokeless Fuel
5kW	1.5	0.7
7kW	2.1	1.0
9kW	2.7	1.3

De-ashing

With the door closed, the ash can be riddled down into the ashpan below the grate. The Riddle control is operated with the tool supplied. If rotated in a light shaking motion, ash can be removed, leaving larger solid deposits behind, rather than jamming the grate operation. These can be further burned or removed accordingly.

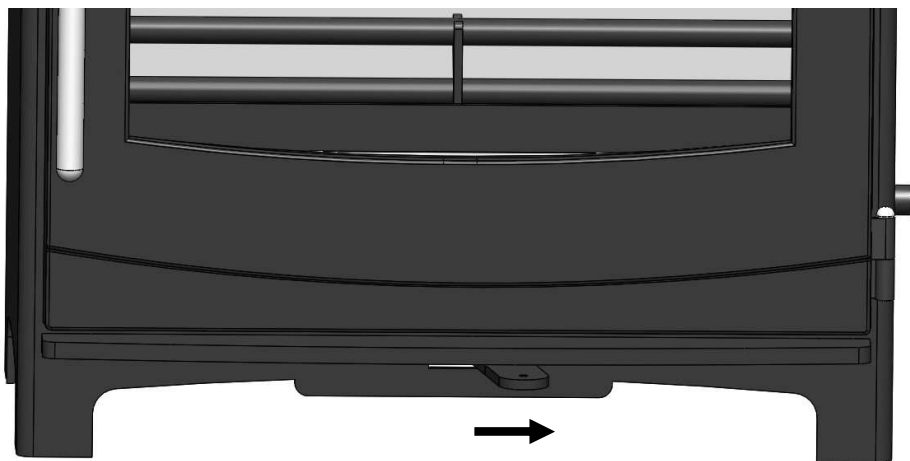


Wood burning

When well established, the right hand 'Airwash' position can be used. Reduce this setting as the flue draw further increases, as excess air can serve to wastefully push heat up the flue, rather than increase firebox or room temperature.

Only add larger fuel, when the existing load has reduced to a shorter flame length with plenty of embers present.

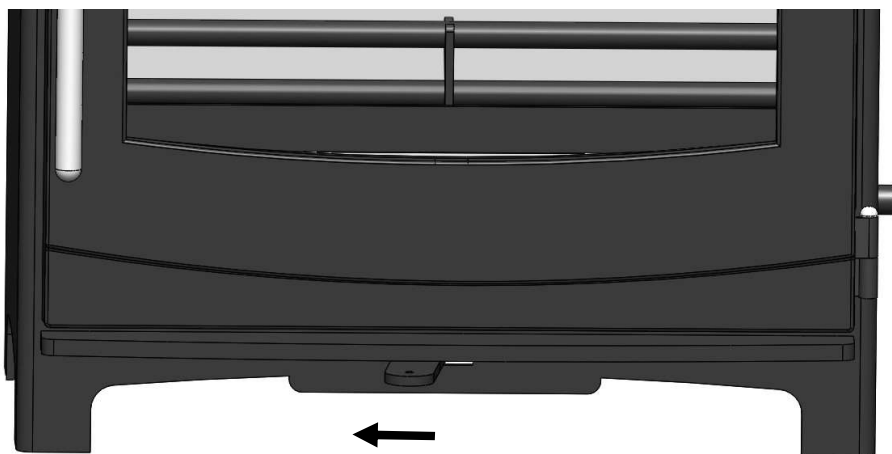
Avoid long periods at high air settings, as damaging temperatures can occur.



Solid fuel burning

Solid fuel requires air to permeate up through the fuel, in addition to a smaller amount supplied by the Airwash etc. Certain wood fuel loads can briefly benefit from the same settings, in order to give a quick boost. Position the control lever, slightly to the left.

Avoid long periods at high air settings, as damaging temperatures can occur.



Commissioning

CO Alarm

All open flued appliances can be affected by atmospheric conditions, which can give rise to fumes entering the house. Building regulations require that a carbon monoxide alarm is fitted in the same room as fixed solid fuel or wood burning appliance, whether it be a replacement or new stove.

The alarm should be fitted according to the manufacturer's instructions. Further guidance is available in the latest edition of BS EN50292.

Flue Draught Test / Smoke test

For efficient stove operation, it is important to make sure that there is an adequate draw on the chimney. These readings can be taken by removing the blanking screw and using the test hole (Rear of stove at top right). The test should be performed with both fire door and air control closed.

A minimum flue draft reading of 0.1mbar (10 Pascal) (0.04"wg) when warm, increasing to 0.2mbar (20 Pascal) (0.08"wg) when hot, should be obtained.

An alternative means of testing the suitability of the flue system is the Smoke test as follows:

- Warm the flue with a blowlamp for 10 minutes.
- Place a smoke pellet centrally on the grate with the air controls open.
- With the door closed, smoke should be seen to be drawn up the flue and exiting the flue terminal.
- The test should be undertaken with all doors and windows closed within the room containing the appliance.
- Repeat the test with extractor fans in adjacent rooms running at maximum, and interconnecting doors open.
- With a small fuel load, the appliance should now be lit and allowed to reach operating temperature. **During this period, the paint will become soft and cause a haze as it cures. It is advisable to ventilate the room and observe from a distance as this occurs.**
- Once a good temperature is reached and the fire has settled to low flames, open the fire door and check for excessive spillage around the door opening with a smoke match or pellet.

If excessive spillage occurs, allow the appliance to cool then re-check the flue and ventilation provided



**For more advice
Refer to Troubleshooting on pages 30- 33**

Commissioning Checklist

! Please complete and leave with the customer .

Stove details

Model number and serial number of stove M E — —
 (Found on the Data Plate located on the stove rear and front page of this booklet)

Date of Purchase.....

Date of Installation.....

Supplier details

Suppliers Invoice Number.....

Name.....

Address.....

Phone Number.....

Installer details

Name.....

Address.....

Phone Number..... Installer Registration Number.....

Commissioning checklist

Flue system correct for the appliance.....YES........NO...

Flue clean and soundness checked..... YES........NO...

Spillage test undertaken.....YES........NO...

Adequate clearance to combustibles checked.....YES........NO...

CO alarm present and working correctly.....YES........NO...

Controls and operation explained to customer.....YES........NO...

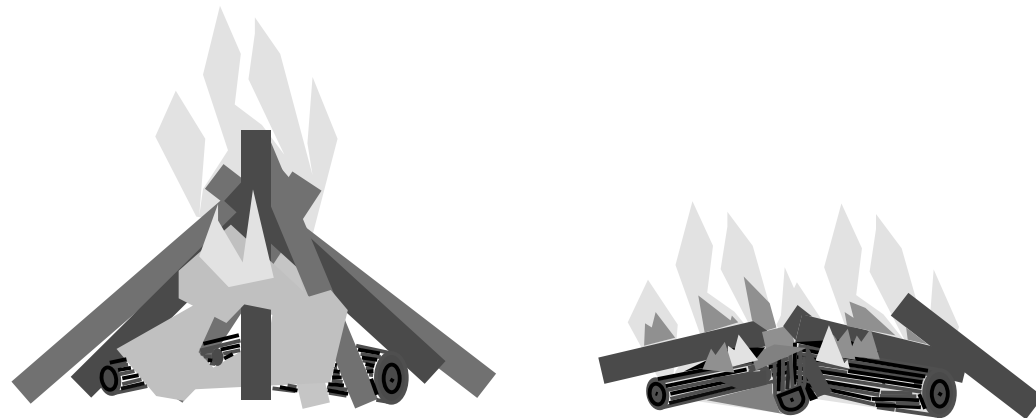
Instruction book handed to customer.....YES........NO...

Signature.....Print name.....

Lighting

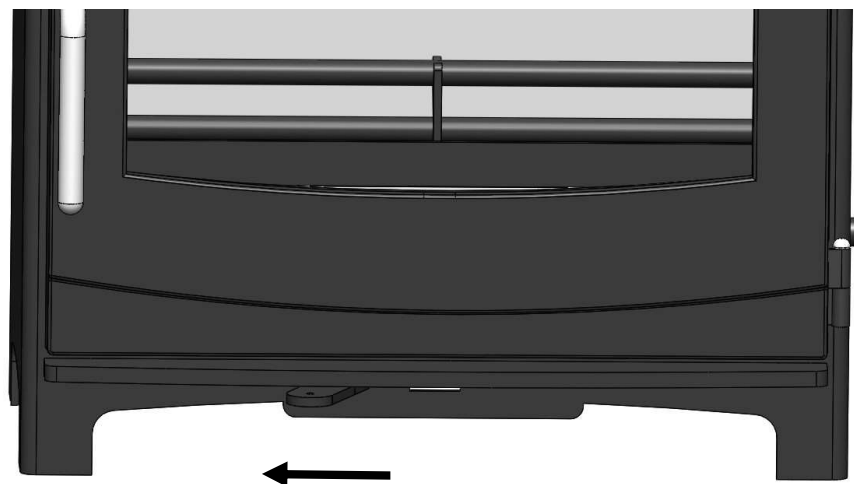
Step 1

Place newspaper or firelighters on the grate and arrange small dry kindling above small dry logs in the manner shown.
 This 'Top Down' lighting method is a cleaner way to light a stove, and the initial volume of larger fuel below, will help reduce the need for constant attention, right after lighting.

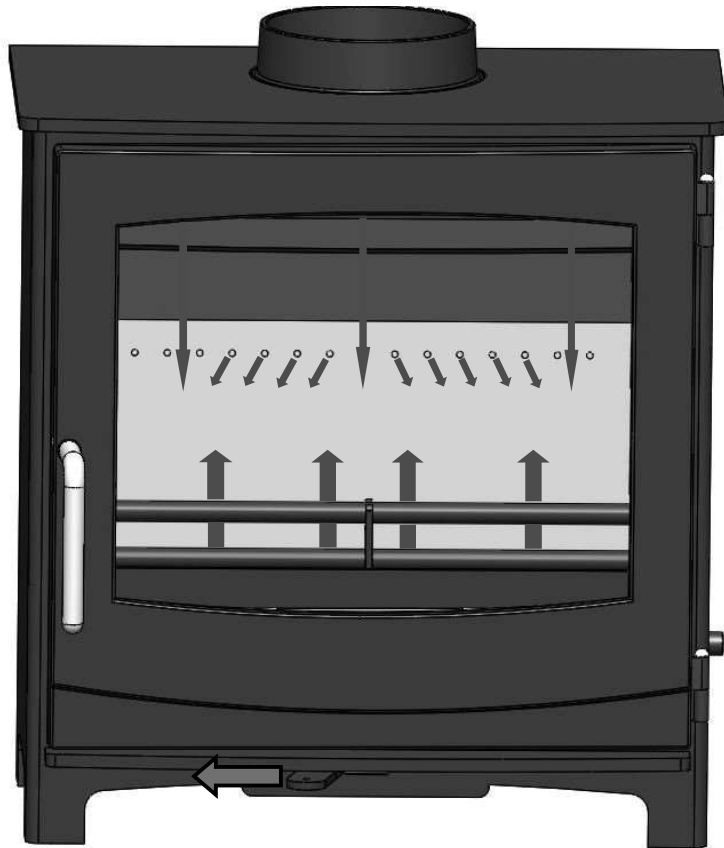


Step 2

Open the air control lever fully to the Left and light the paper or firelighters at the base of the fuel.
Close the door and allow the fuel to catch and burn well, to where flame length and volume of smoke are reduced. Now add intermediate sized fuel.



With the control lever moved to the left of centre, a higher volume of air is introduced upwards, through the grate.



! Large air settings can produce damaging temperatures to the stove and push wasted heat up the flue. This will be apparent if you look at the speed, colour and ferocity of the fire.

Installation notes for future reference

Flue System Used

Pascal / mbar Reading

Hearth Material

Wall Material Around Appliance.....

Service / Sweep Information Record

Year 1 Date Done By.....

Year 2 Date Done By.....

Year 3 Date Done By.....

Year 4 Date Done By.....

Year 5 Date Done By.....

Year 6 Date Done By.....

Year 7 Date Done By.....

Year 8 Date Done By.....

Year 9 Date Done By.....

Year 10 Date Done By.....

User Instructions



This appliance must only be used with the door closed

Choosing the correct fuel

The quality of fuel that you choose has a massive effect on stove performance and fuel efficiency. We therefore recommend that you consider the following:

- Dry Wood means no more than 20% moisture. Above this level, heat is wasted to create steam. Wood burned at 65% moisture could take three logs to produce the heat of one dry log, if it burned at all. Wood at 35% moisture could waste one log out of every three burned. Damp wood will ruin both the flue and appliance quickly, wasting even more money.
- Burn only Anthracite or manufactured smokeless fuels approved for closed appliances. **Do not burn Petro-coke or bituminous coal as this will invalidate the guarantee.**

General

- This appliance will become very hot when used, avoid touching with bare skin, always use the operating tool and/or glove where supplied.
- Use a fireguard to keep children and/or old or infirm people safe, the fireguard should be manufactured in accordance with BS 8423:2002.
- Flammable materials including Fuel, should not be stored on, under or near to the lit appliance, as this could result in a fire. The 'Log store' version however, can have a sensible amount of fuel placed beneath it. The dedicated 'Log store' shield must be fitted at all times, as must the 'Base heat shield assembly' (See page 35)
- Do not use aerosols near or on the appliance whilst under fire.
- Do not obstruct any ventilation required for the appliance.

THE WOODWARM STOVE SERIAL NUMBER CAN BE FOUND ON THE DATA PLATE EITHER RIVETED TO THE BACK OF THE STOVE OR FIXED TO THE REVERSE FACE OF THE DOOR.
QUOTE THIS NUMBER WHEN ORDERING PARTS.

DOOR OPERATION

The stove door is opened by turning the handle clockwise to disengage the catch, and pulling the door by the handle, in order to open it.



It is advisable to use the glove supplied, as all parts will be hot.

AIR CONTROL

The stove has a single Air control lever. With the control lever moved to the right of centre, air is introduced down the glass (Airwash), as well as through holes in the rear. This is the main running direction, for wood.

