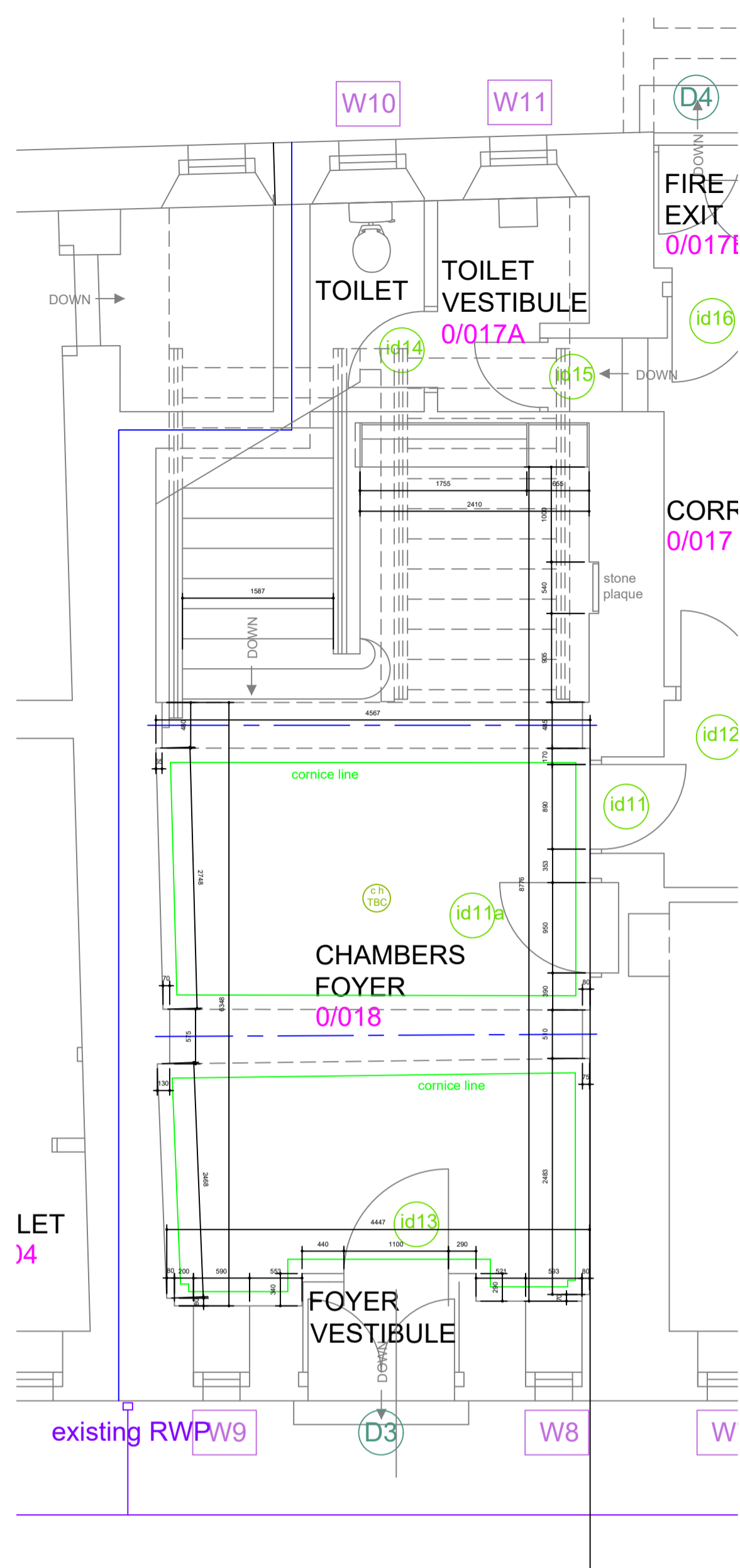
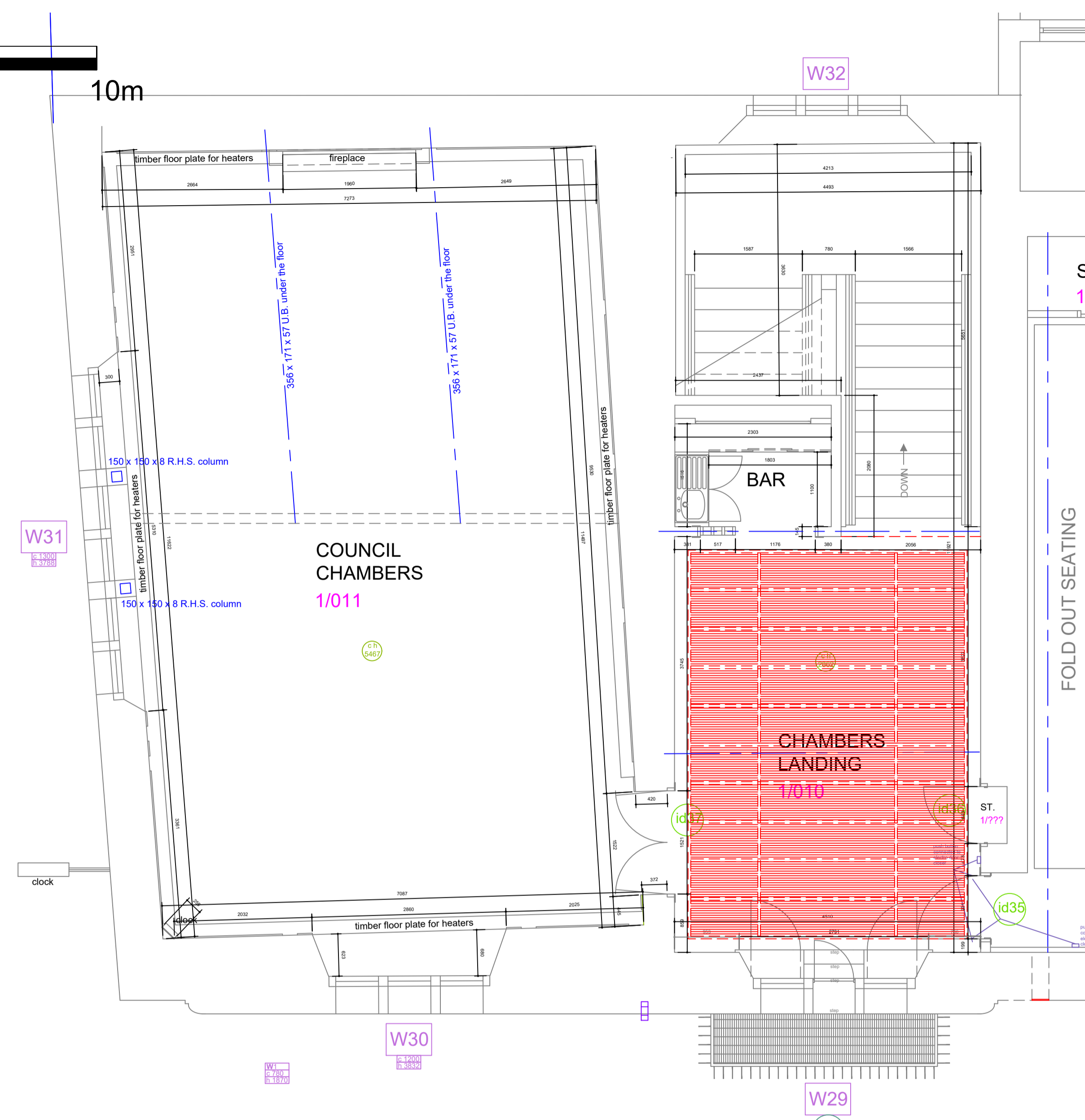
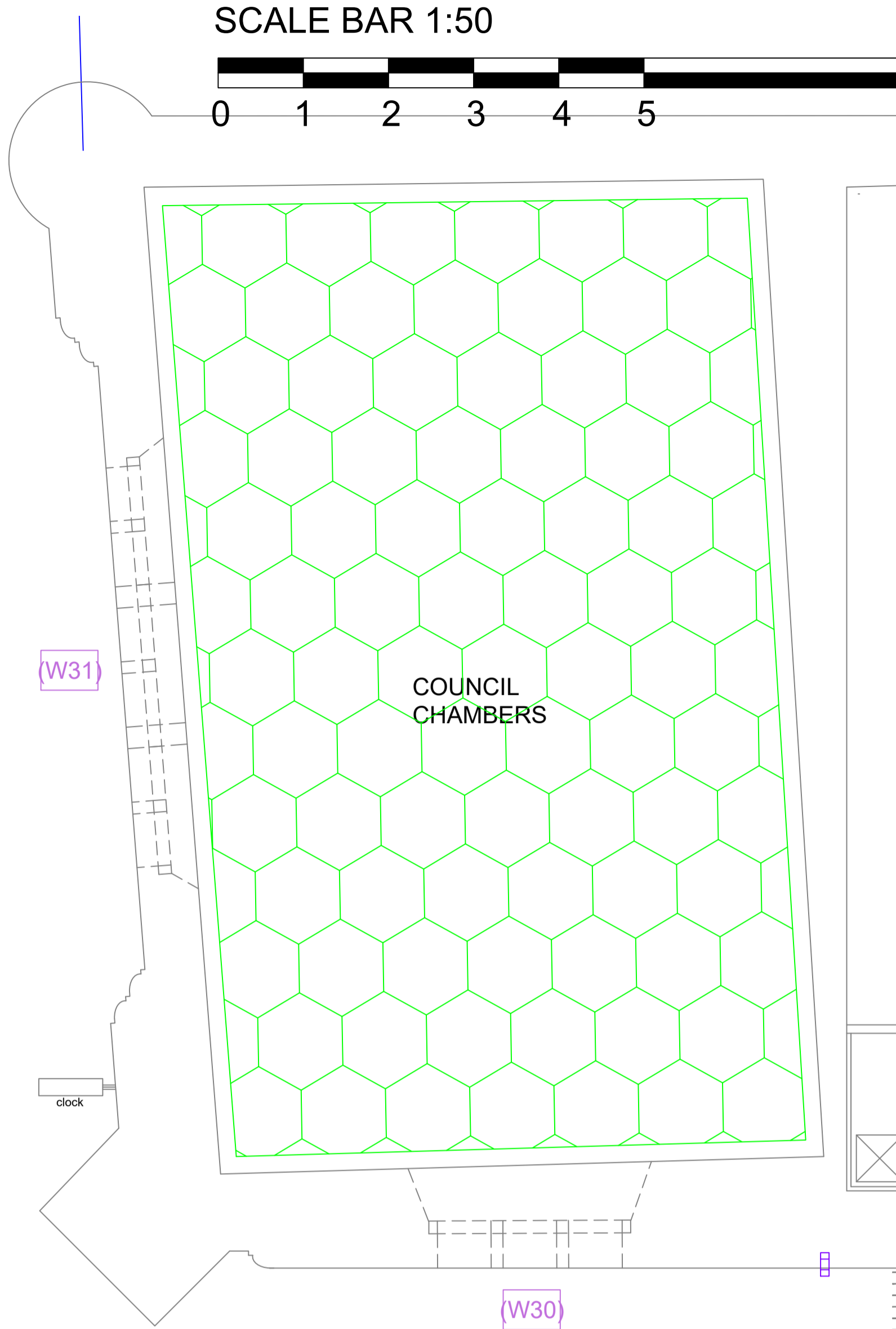
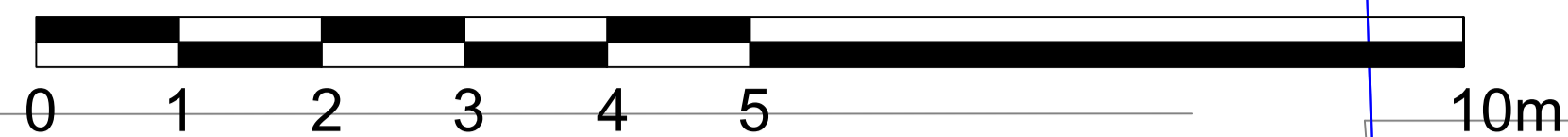


SCALE BAR 1:50



**HAZARDS AND RISKS WARNING**  
The items listed below indicate known hazards or areas of significant risk.

No operations are to commence on site until it has been ascertained (beyond reasonable doubt) that there are no Asbestos Containing Materials (ACM's) or any other hazardous material / substances within the area of the "site" that will be affected by this work.

Reference must be made in the first instance to the Asbestos Risk Register (Management Survey) prior to starting operations on site. Where applicable, a separate Refurbishment / Demolition survey has been undertaken and issued to the Principal Contractor identifying the location of any known ACM. Where appropriate, a separate programme of works to control / remove any ACM's by the Construction Compliance Team will also be issued.

Should a suspect material be discovered or exposed during the course of the works, all operations within the relevant area are to cease immediately and further instruction obtained from the project Contract Administrator.

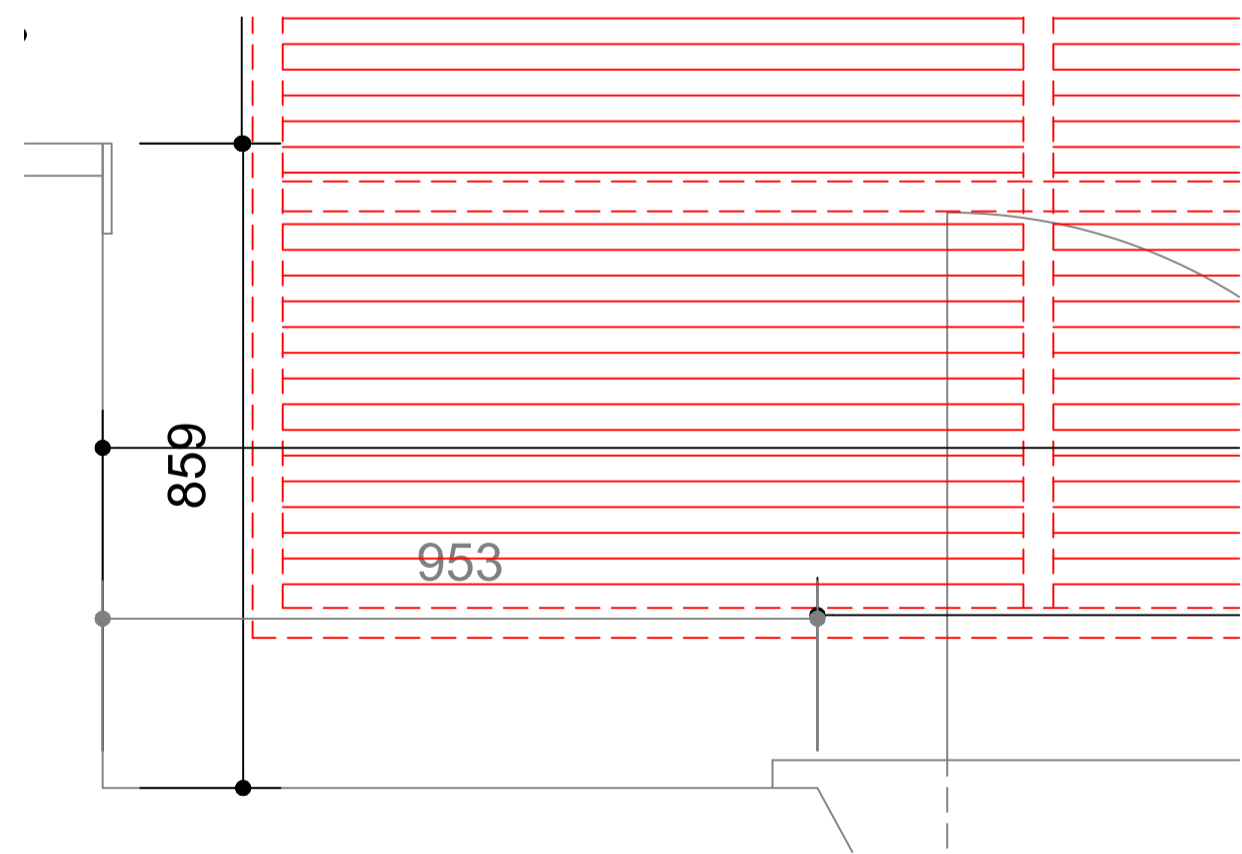
Where Asbestos Containing Materials or presumed Asbestos Containing Materials have been damaged (either previously or during the course of these works), then Fife Council Corporate Health & Safety (Emergency) Procedure OHS-C-17 "Managing Asbestos-related Emergencies" must be implemented.

Following any Asbestos related incident, construction works must not recommence until the Construction Compliance Team have given approval in writing to do so.

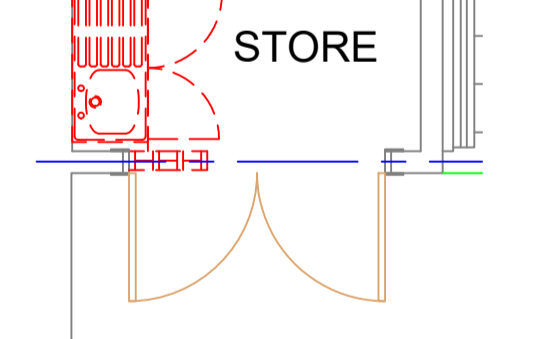
**COUNCIL CHAMBERS CEILING PLAN - AS EXISTING**  
1 : 50



**COUNCIL CHAMBERS PLAN - AS EXISTING**  
1 : 50

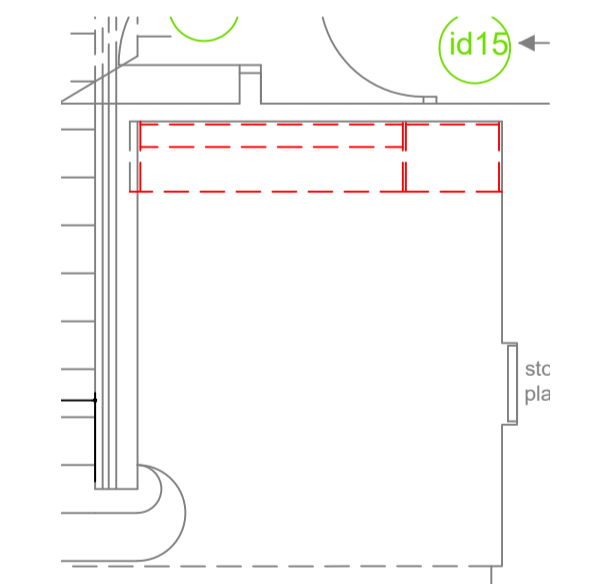


**FORMER BAR - DOWNTAKINGS**  
1 : 50

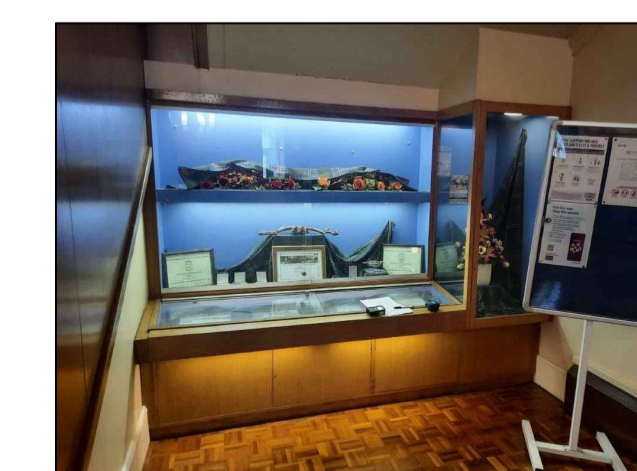
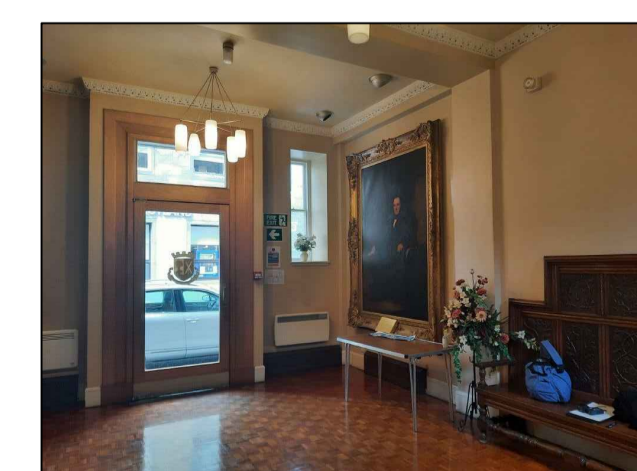
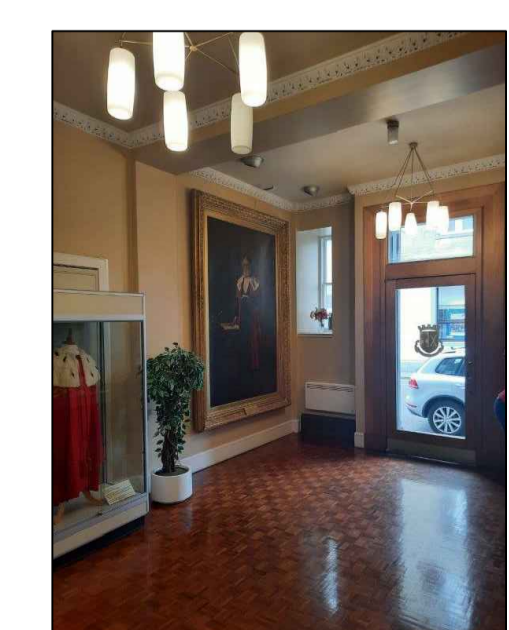
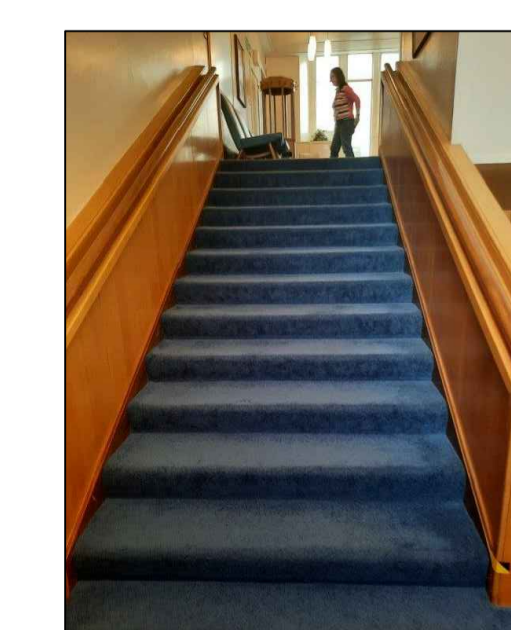
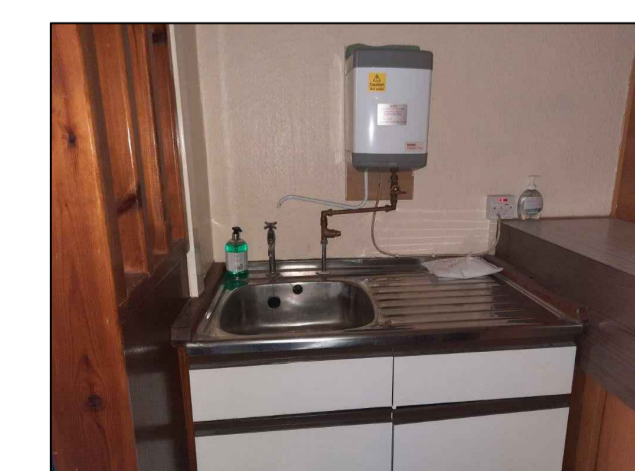
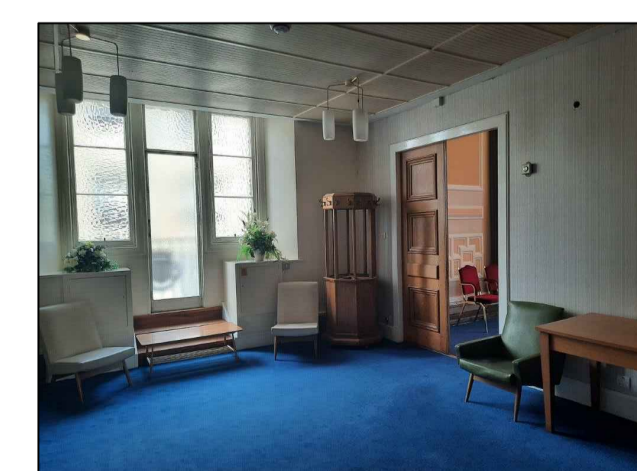
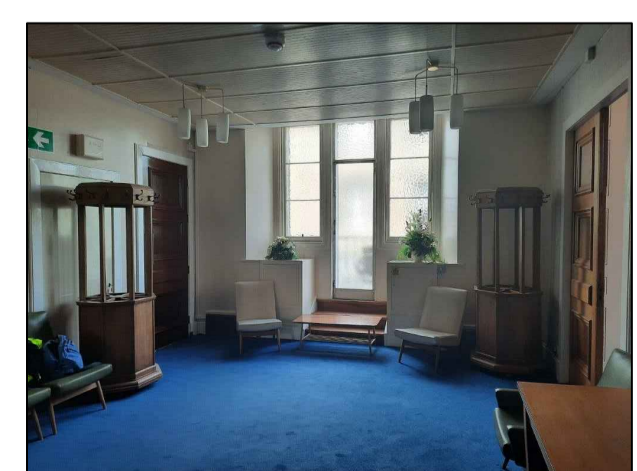
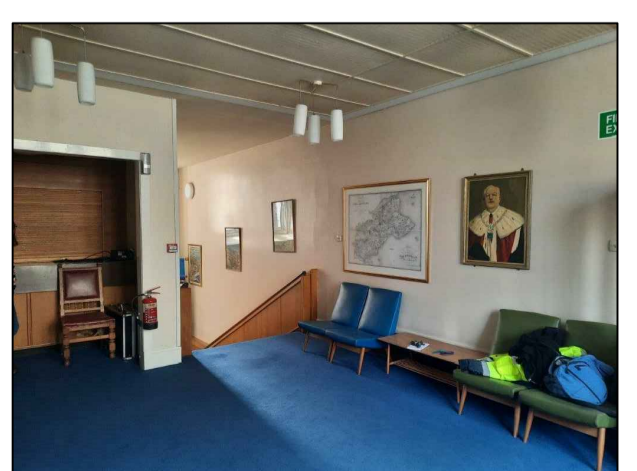
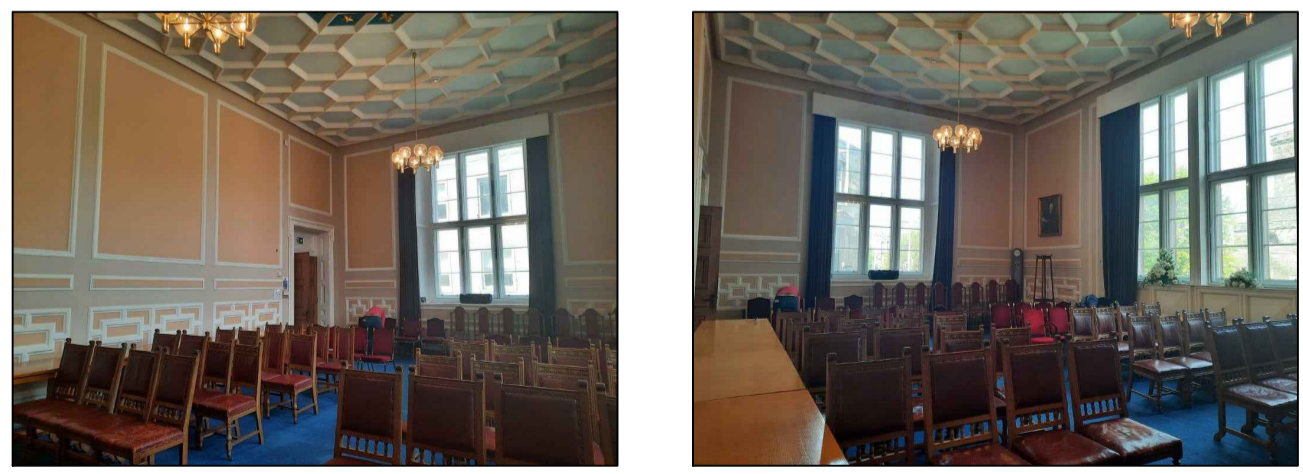


**CHAMBERS LANDING CEILING - DOWNTAKINGS**  
1 : 10

**CHAMBERS FOYER PLAN - AS EXISTING**  
1 : 50



**DISPLAY ALCOVE - DOWNTAKINGS**  
1 : 50



Rev	Date	Description	By
REVISIONS			



ASSET and FACILITIES MANAGEMENT SERVICE:  
PROPERTY SERVICES  
Property Services Manager: ALAN PAUL  
Bankhead Central, 1 Bankhead Park, Glenrothes, Fife, KY7 6GH  
Tel: (01592) - 583238 E-mail: Property.Clientgroup1@fife.gov.uk

Drawing Status :

**PLANNING**

Contract Administrator :  
**PAULINE MARTIN**

Drawn By : Date : Scale : Checked By :  
P.M. OCT. '23 1 : 50/10

Property Address :  
**ST ANDREWS TOWN HALL  
QUEENS GARDENS, ST ANDREWS**

Project Title :  
**COUNCIL CHAMBERS WORKS**

Drawing Title :  
**ROOM PLANS - AS EXISTING**

Computer Reference :

Works Request Number : CS7602318  
UPRN : 00041300

Drawing Number : 12  
Revision :