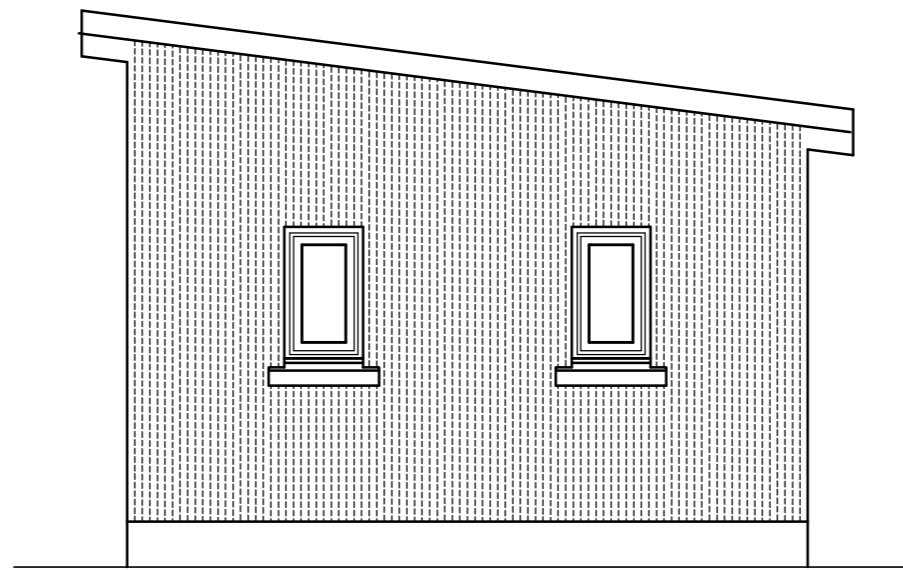
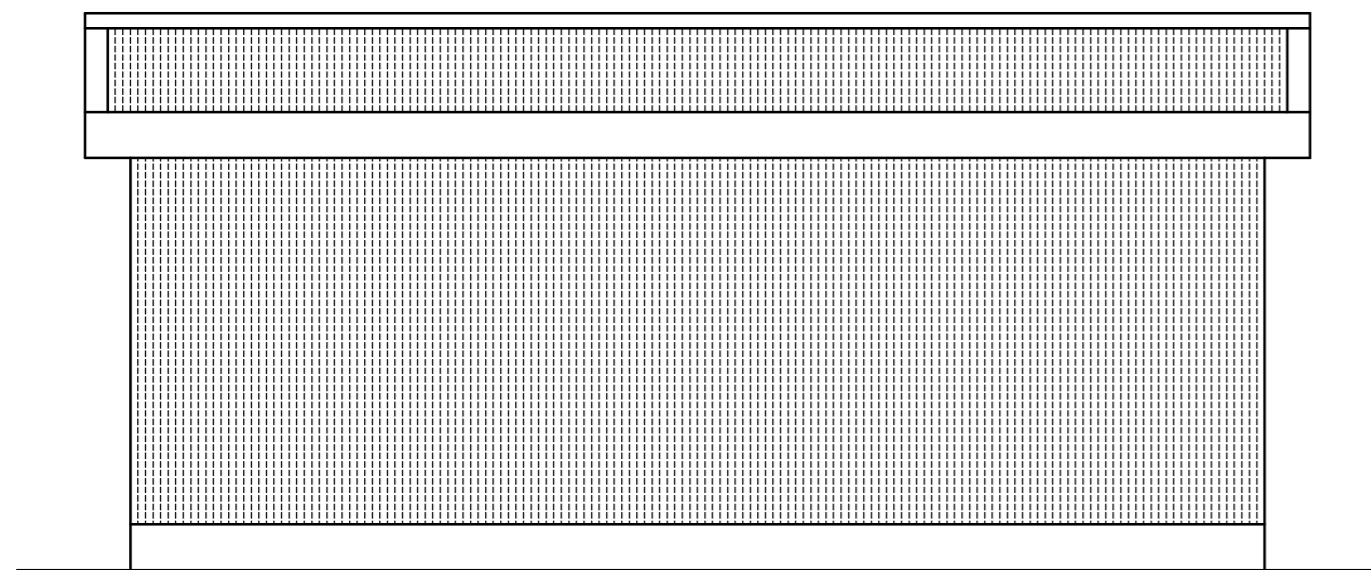
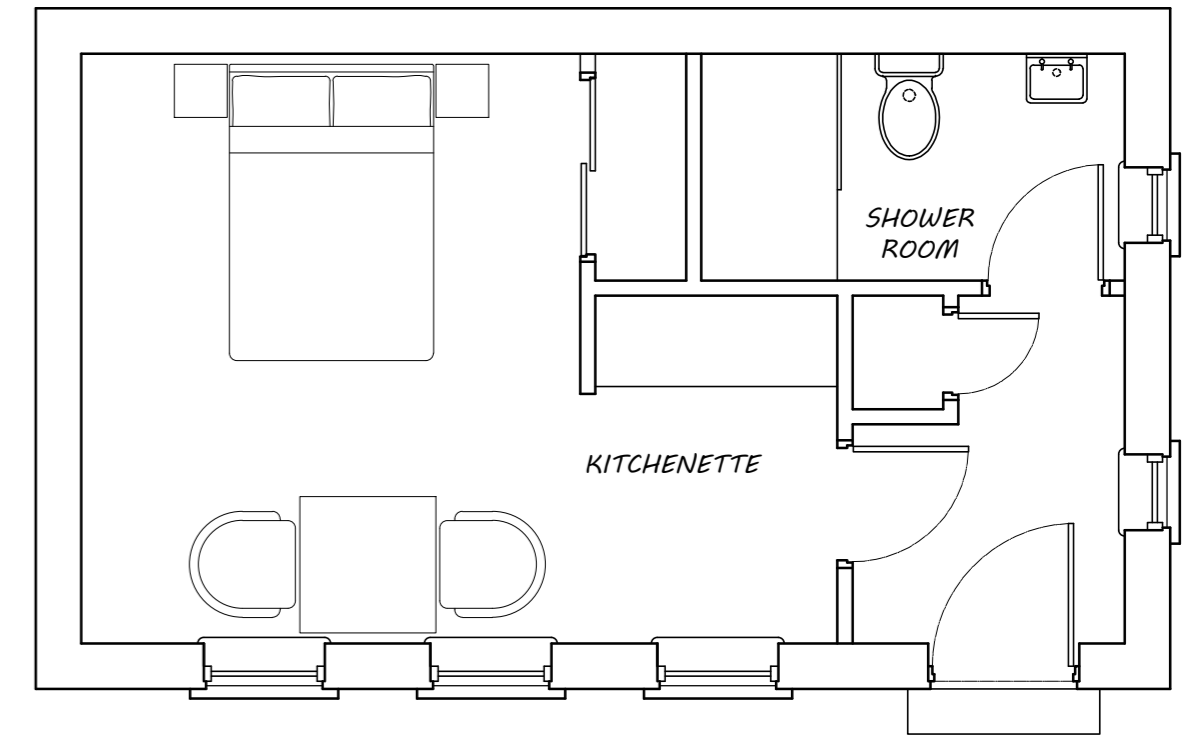


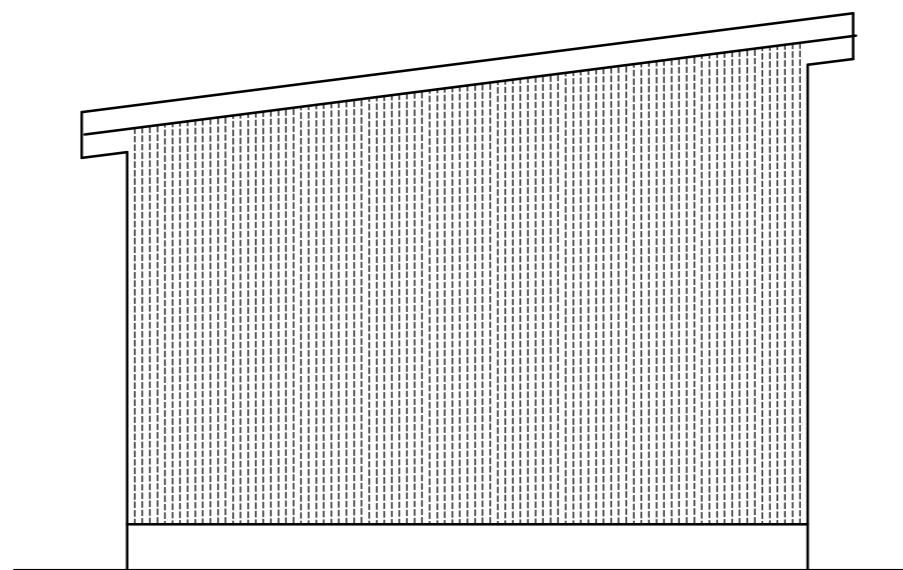
FRONT ELEVATION



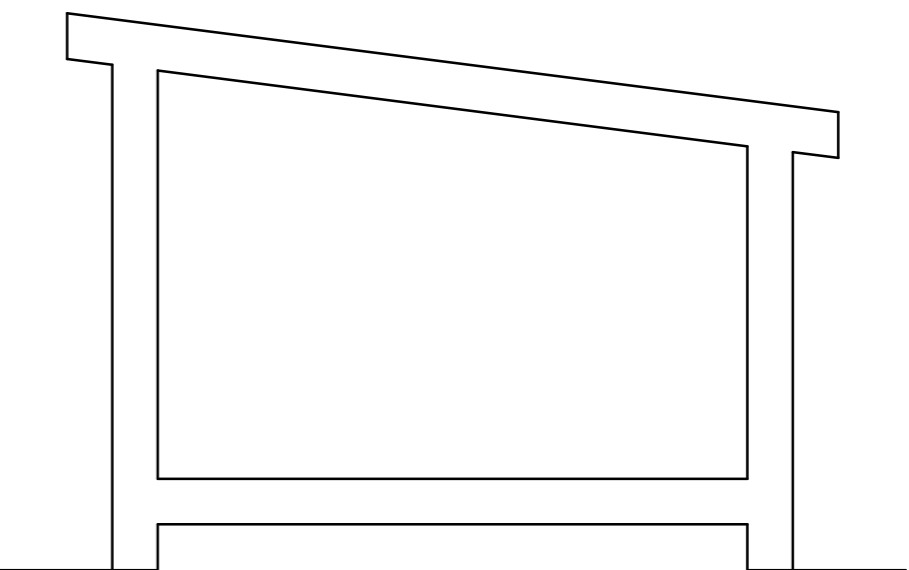
SIDE ELEVATION



REAR ELEVATION



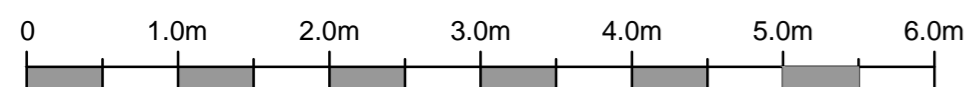
SIDE ELEVATION



SECTION

EXTERNAL SPECIFICATION

CORRUGATED METAL PROFILE TO ROOF, SIDE AND REAR WALLS.
 LARCH TIMBER CLADDING TO FRONT ELEVATION.
 HIGH PERFORMANCE UPVC WINDOWS AND DOORS
 BLACK PVC RAINWATER GOODS



SCALE BAR - 1:50

MEARNS PERT	
PROPOSED STL UNITS AT GLENBERNISDALE, SKEABOST BRIDGE ISLE OF SKYE, IV51 9NP	
UNIT 2	
DATE:	14st MARCH 2024
SCALE :	1:50