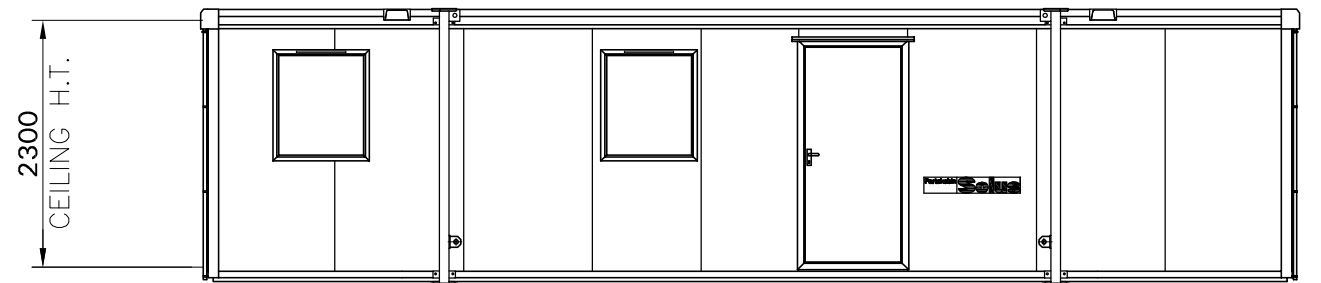


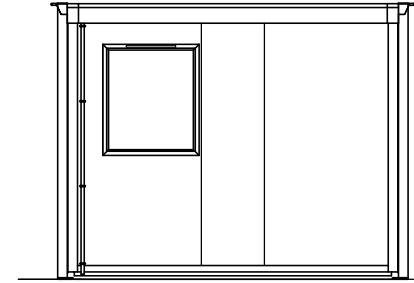
REAR ELEVATION



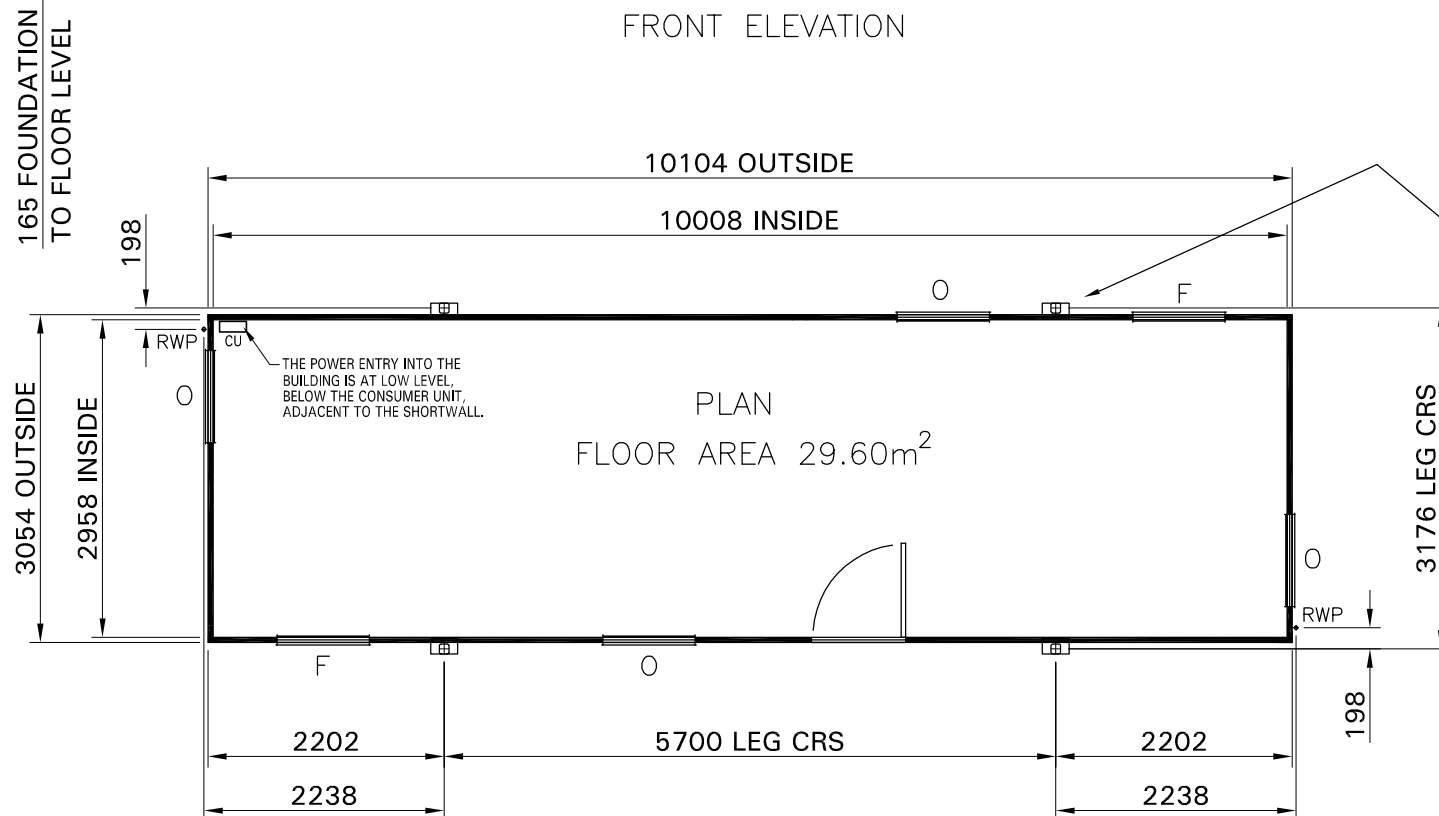
END ELEVATION



FRONT ELEVATION



END ELEVATION



**FOUNDATIONS**

Simple foundations of level hardstandings are required to be capable of taking the foundation design load at each foot position of 35kN, which includes the dead weight of the building, imposed floor load of 3kN/m<sup>2</sup>, imposed roof load of 0.75kN/m<sup>2</sup>, and a basic wind speed to meet the requirements of BS6399: Part 2. The foundations are to be designed in accordance with BS8004 with level tops of a tolerance of ±3mm. The area of ground under the building, plus a surrounding 500mm must be no higher than 50mm below the tops of the building foundations.

**KEY**

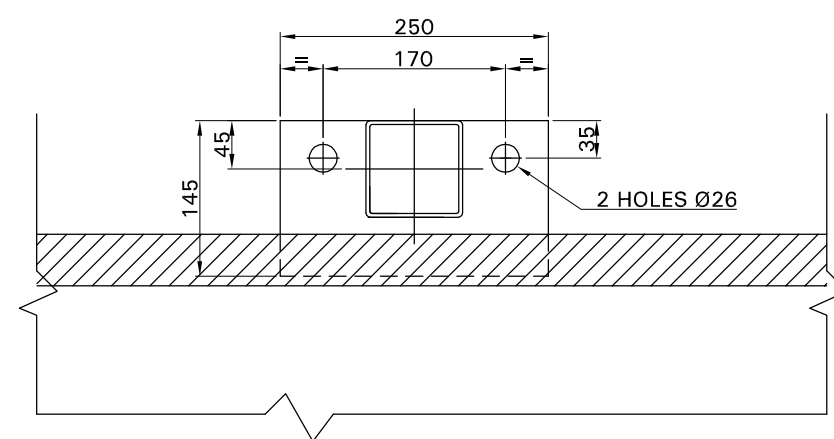
- O OPEN WINDOW
- F FIXED WINDOW
- RWP RAIN WATER PIPE

**STANDARD COLOURS**

- External : Wall Cladding, Fascia, Corner & Bottom Wall Trims, Outer Legs
  - Sales & Scottish Divisions - Albatross nearest BS ref. 18 B 17
  - Hire & European Divisions - Goosewing Grey nearest BS ref. 10 A 05
- Door leaf
  - Sales & Scottish Divisions - Britannia Blue nearest BS ref. 18 E 58
  - Hire - Merlin Grey nearest BS ref. 18 B 25
  - Portaroo & Events - Poppy Red nearest BS ref. 04 E 53
  - European Division - Goosewing Grey nearest BS ref. 10 A 05
- Door Frame
  - Silver Anodised Aluminium.
  - Manhattan Grey NCS S 2502-Y RAL-DS 080 70 05.
- Door Furniture
  - Sales & Scottish Divisions - Britannia Blue nearest BS ref. 18 E 58
  - Hire - Grey nearest RAL 7042
- Windows
  - Portaroo & Events - Blue Grey nearest BS ref. 18 B 29
  - European Divisions - Blue nearest RAL 5011
- Roof
  - White nearest BS ref. 00 E 55
  - Hot dipped galvanised
- Inner Legs
  - Hot dipped galvanised

**DOOR & WINDOW POSITIONS MAY BE DIFFERENT TO THOSE SHOWN ON SPECIFIC CONTRACT DRAWINGS**

**LEG BASEPLATE DETAIL PLAN VIEW**



Portakabin Limited Huntington York YO32 9PT  
 Telephone 01904 611655 Fax 01904 611644

Project	PORTAKABIN SOLUS	
Client		
Title	SPECIFICATION DRAWING SL102 LODASTRUT LEG OPTION	
Date	2.10.07	Drawn R.SCHOFIELD
Scale	1:5 & 1:50	
Drg. No.	DQ2696	Rev. F

All buildings are to be anchored to the foundations via the baseplate using M20 anchor bolts, unless it can be established that no climatic or other forces are likely to be applied so as to exceed the intrinsic stability of the building in its unloaded state. All Lodastrut legs should be fully retracted onto the safety stops with the leg pins fitted through the outer legs and secured by the locking cotter.

It is recommended that professional advice is obtained for the design of the foundations.