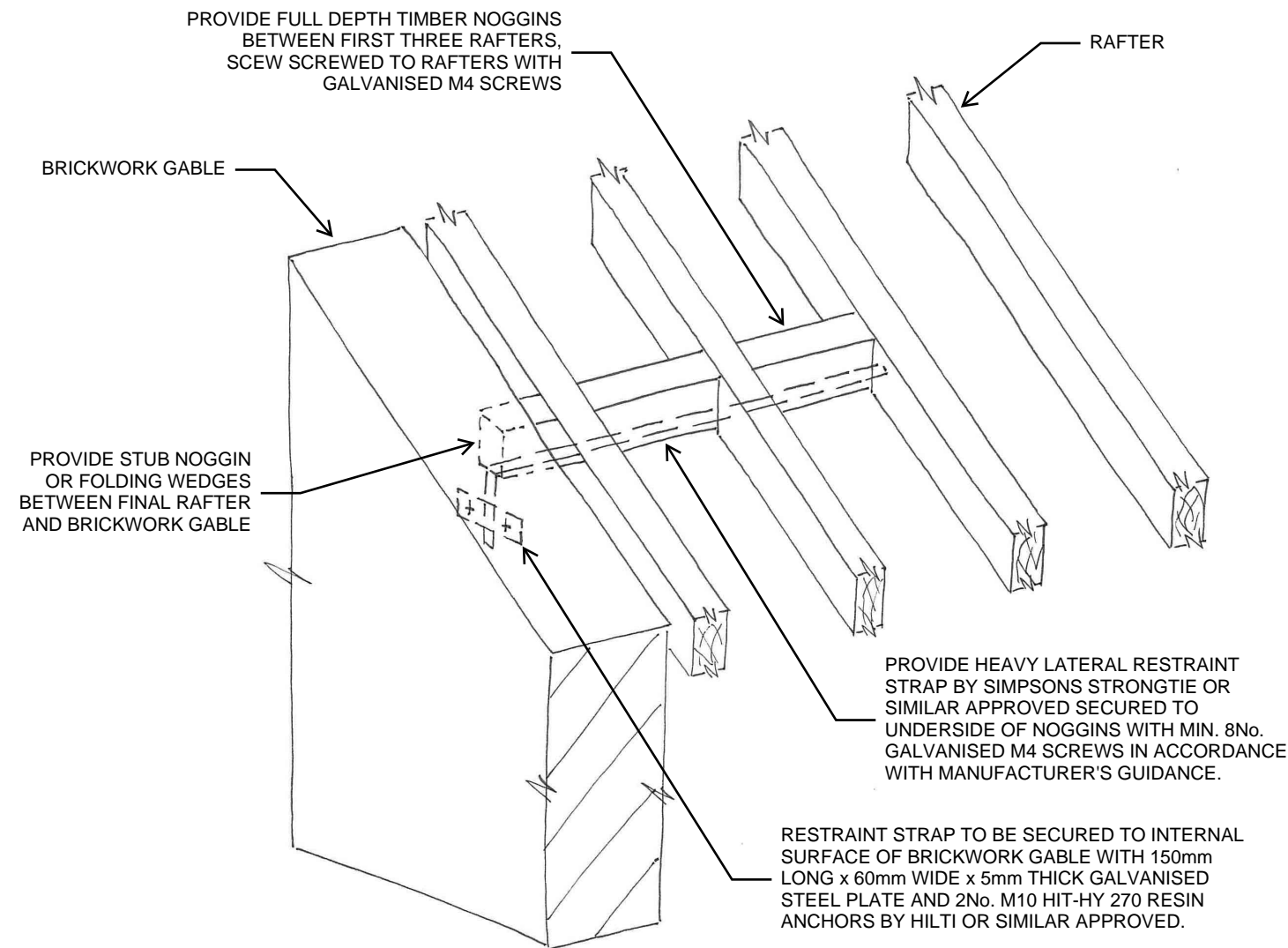
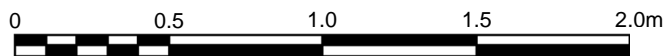


BRICKWORK GABLES TO BE TIED TO ROOF STRUCTURE TO ENHANCE THEIR LATERAL RESTRAINT AND STABILITY. INSTALL TIMBER NOGGINS AND HEAVY LATERAL RESTRAINT STRAPS BY SIMPSONS STRONGTIE OR SIMILAR APPROVED IN LOCATIONS SHOWN IN ACCORDANCE WITH DETAIL A OPPOSITE.

DECAYED RAFTER FEET, GUTTER BEARERS AND WALL PLATE ADJACENT TO PARAPET TO BE REPAIRED/RENEWED IN ACCORDANCE WITH DETAILS B AND C ON CONISBEE DRAWING SSK401.

PART-SOUTH ELEVATION (SCALE 1:25@A3)



PROVIDE FULL DEPTH TIMBER NOGGINS BETWEEN FIRST THREE RAFTERS, SCEW SCREWED TO RAFTERS WITH GALVANISED M4 SCREWS

BRICKWORK GABLE

PROVIDE STUB NOGGIN OR FOLDING WEDGES BETWEEN FINAL RAFTER AND BRICKWORK GABLE

PROVIDE HEAVY LATERAL RESTRAINT STRAP BY SIMPSONS STRONGTIE OR SIMILAR APPROVED SECURED TO UNDERSIDE OF NOGGINS WITH MIN. 8No. GALVANISED M4 SCREWS IN ACCORDANCE WITH MANUFACTURER'S GUIDANCE.

RESTRAINT STRAP TO BE SECURED TO INTERNAL SURFACE OF BRICKWORK GABLE WITH 150mm LONG x 60mm WIDE x 5mm THICK GALVANISED STEEL PLATE AND 2No. M10 HIT-HY 270 RESIN ANCHORS BY HILTI OR SIMILAR APPROVED.

DETAIL A (SCALE 1:10@A3)



Rev	Date	Description	KC	KC
P3	20.04.24	Scale notes updated	KC	KC
P2	19.03.24	Scale notes updated	KC	KC
P1	29.02.24	Preliminary issue	KC	KC

Rev Date Description

Scale	Drawn	Engineer	Date
SHOWN	KC	KC	FEB 2024

Drawing Status	Project No	Revision
PRELIMINARY	230770	P3

Drawing No	SSK400
------------	--------

conisbee Consulting Structural Engineers
Consulting Civil Engineers
London • Cambridge • Norwich
1-5 Offord St London N1 1DH
Telephone 020 7700 6666
www.conisbee.co.uk

Project
Quebec House, Westerham
Title
Roof
Proposed remedial details (1 of 2)