

PANELS

Longi 345 Watt Panels (LR5-54HTH-435M)

Individual Panel Dimensions: L:1722mm x W:1134mm x H:30mm

BALLAST BOXES

Rensuol Ballast Box (REN-520075-K)

Individual Ballast Box Dimensions: L:1730mm x W:1100mm H:390mm

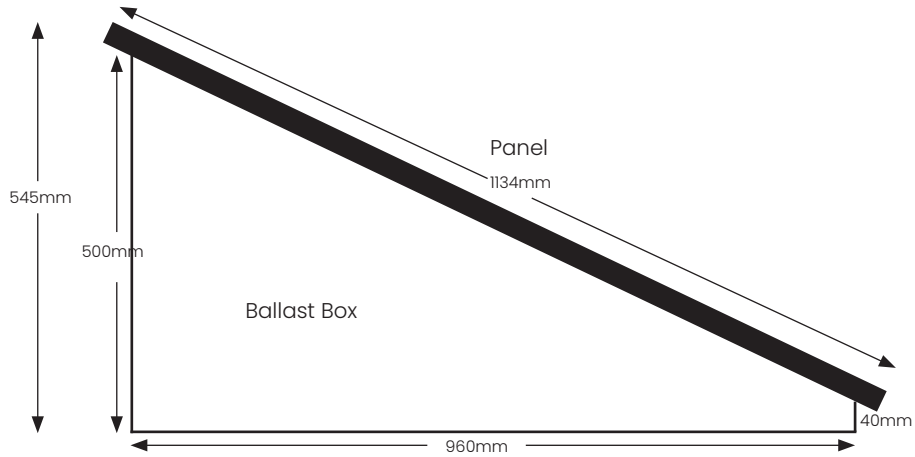
In-use Example



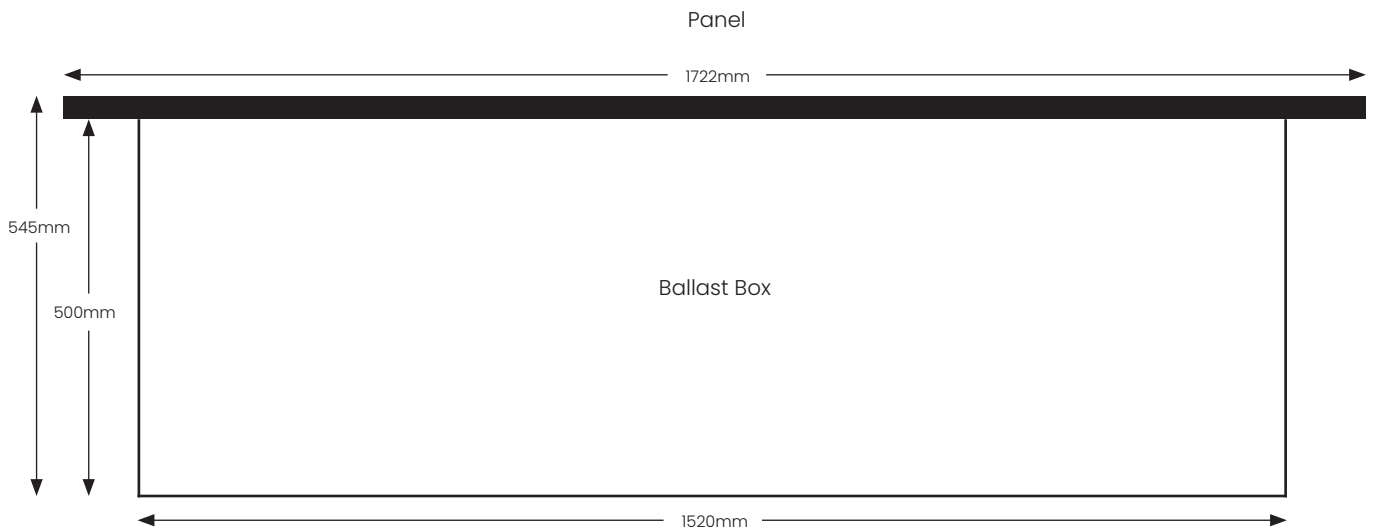
Scale drawings showing dimensions when in-situ

Total height above current roofline: 545mm

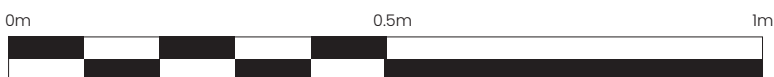
Side View



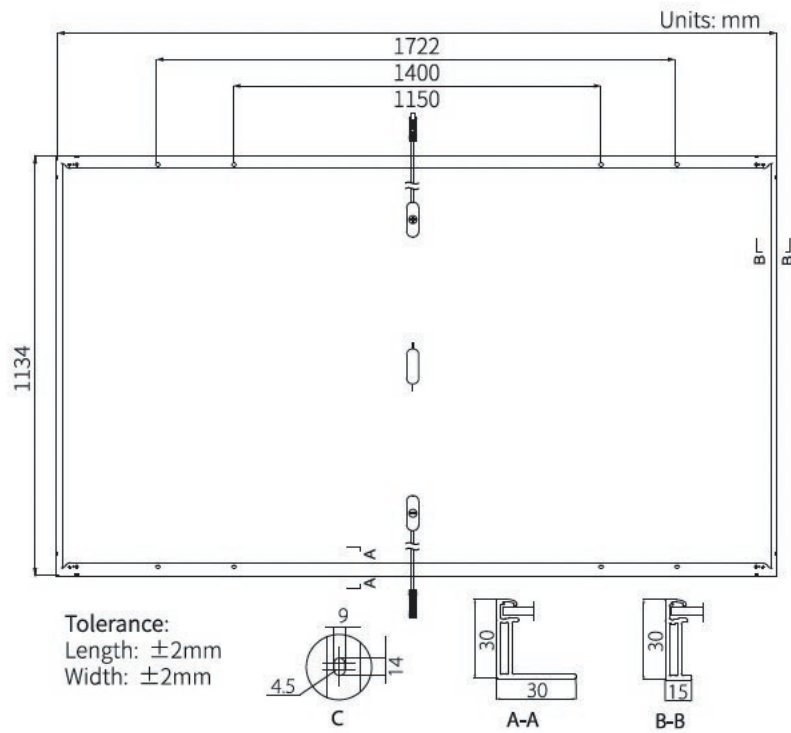
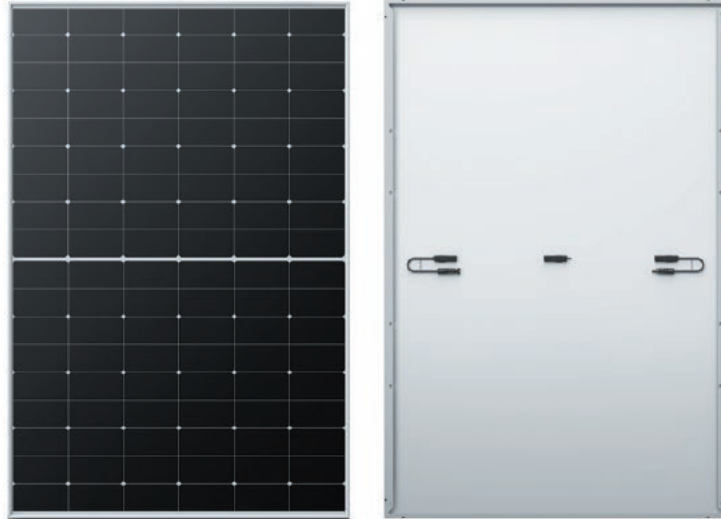
Rear View



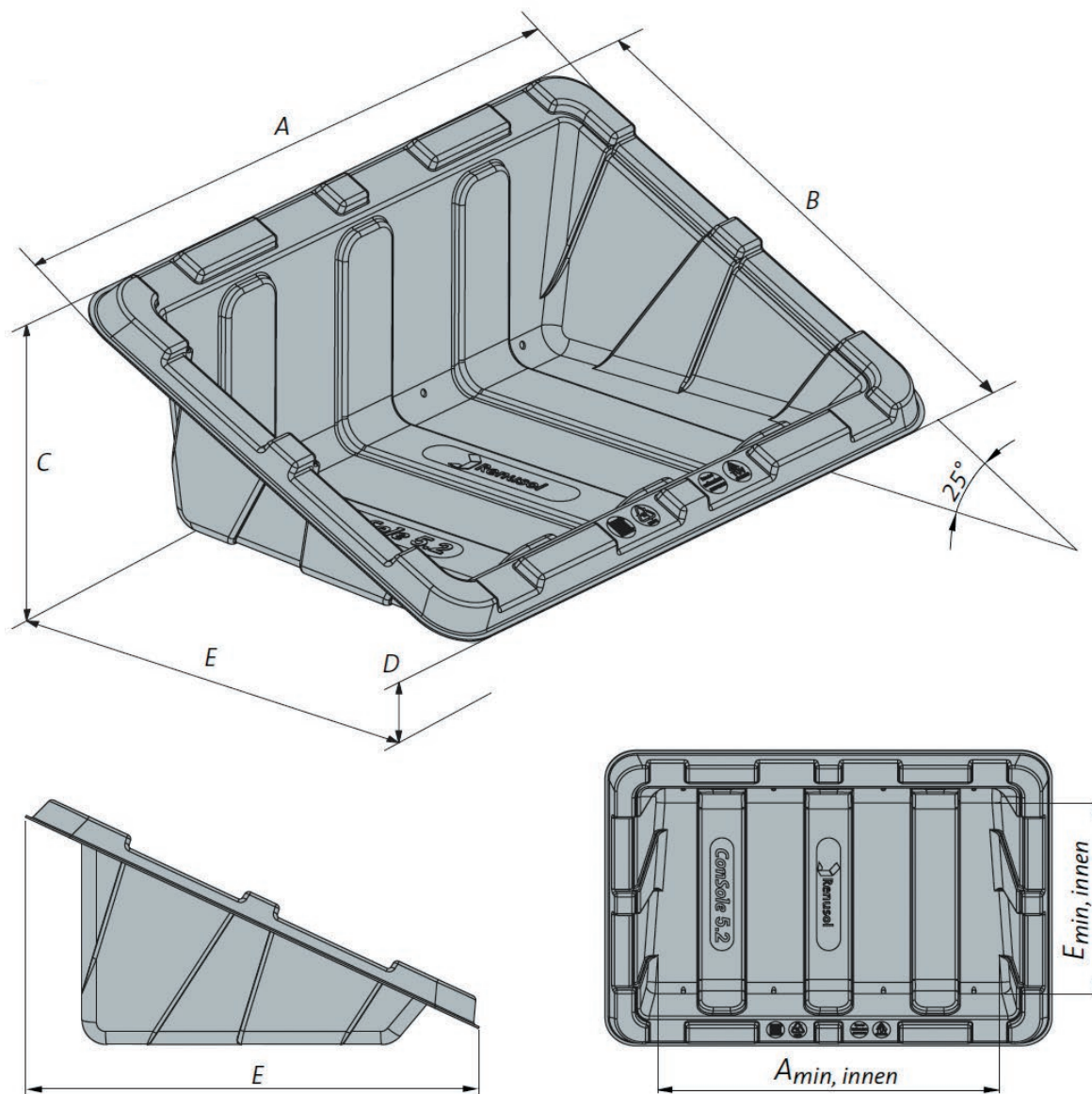
Scale: 1:10 (1mm = 10mm)



Solar Panels - Manufacturers Drawing



Ballast Boxes - Manufacturers Drawing



Recommended measurement of ConSole/PV module

Measurement	A mm	B mm	C mm	D mm	E mm	$A_{min, interior} \times E_{min, interior}$ mm	Installation surface m^2
ConSole 4.1	1680	840	400	50	740	1300 x 400	0,62
ConSole 4.2	1240	1090	530	50	960	890 x 490	0,47
ConSole 5.2	1520	1080	500	40	960	1140 x 630	0,76
ConSole 6.2	1740	1070	500	50	970	1380 x 630	0,84