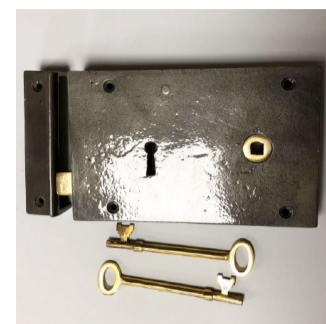


LATCH:

LOCKS: Broughtons 7" Iron Rim Lock Lacquered Iron



KEY:

DOOR KNOBS:

2nr. Kings Handles Brass Oval Door Knob (BOV) in unlacquered polished brass



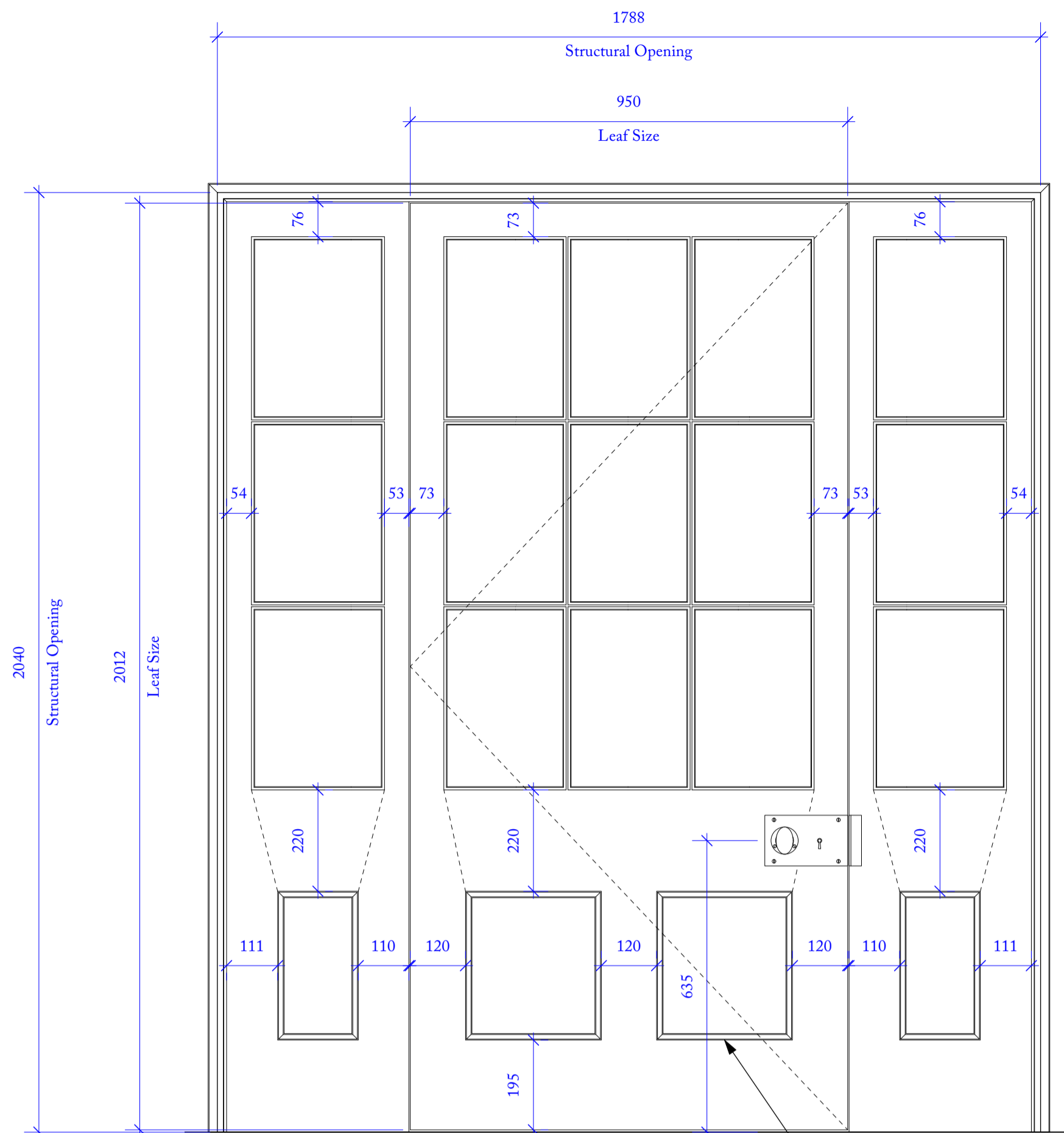
ESCUTCHEONS:

Optimum Brasses B4 in unlacquered polished brass

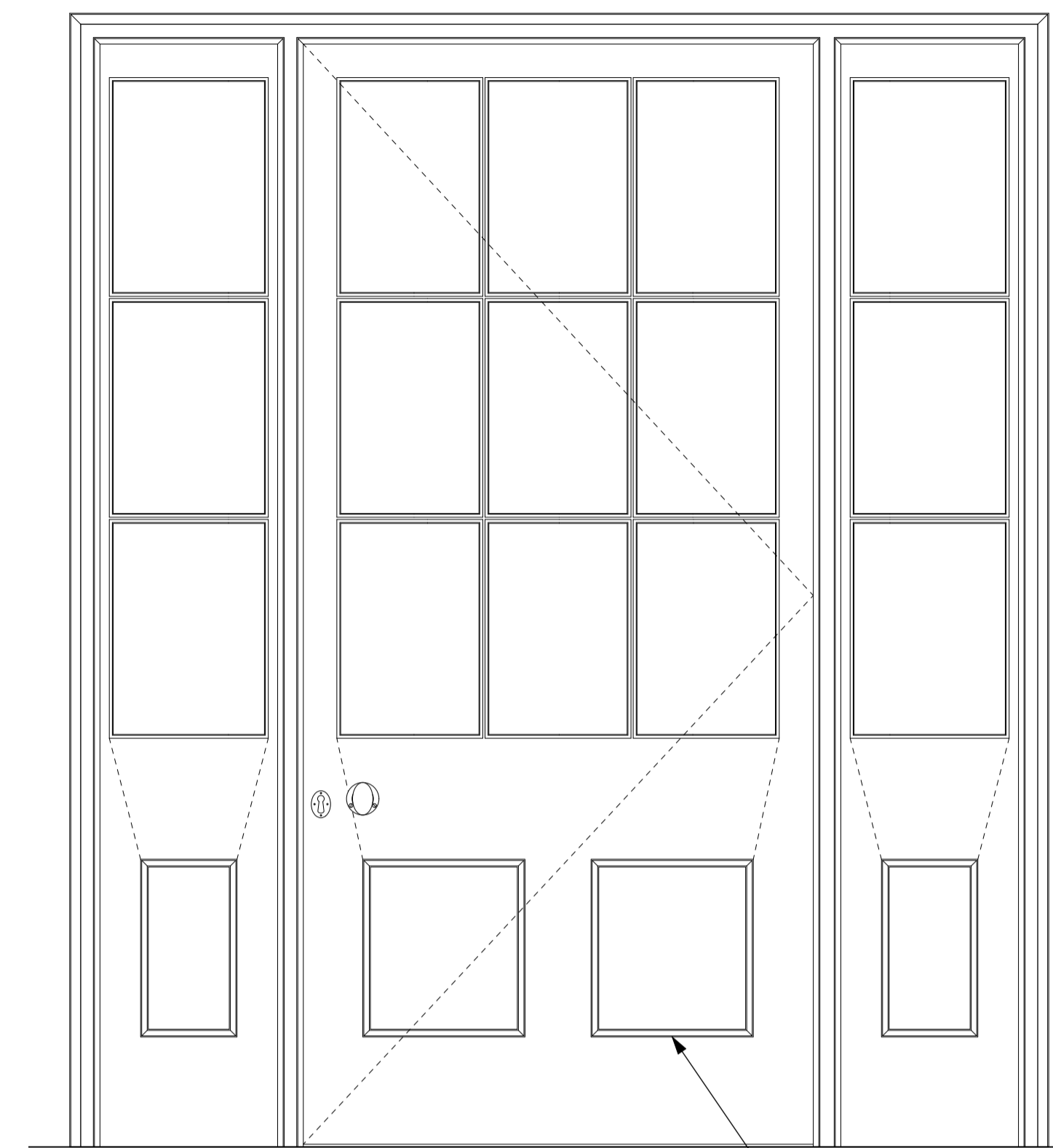


HINGES: 3nr. Simonswerk unwashed hinges in unlacquered polished brass sized accordingly

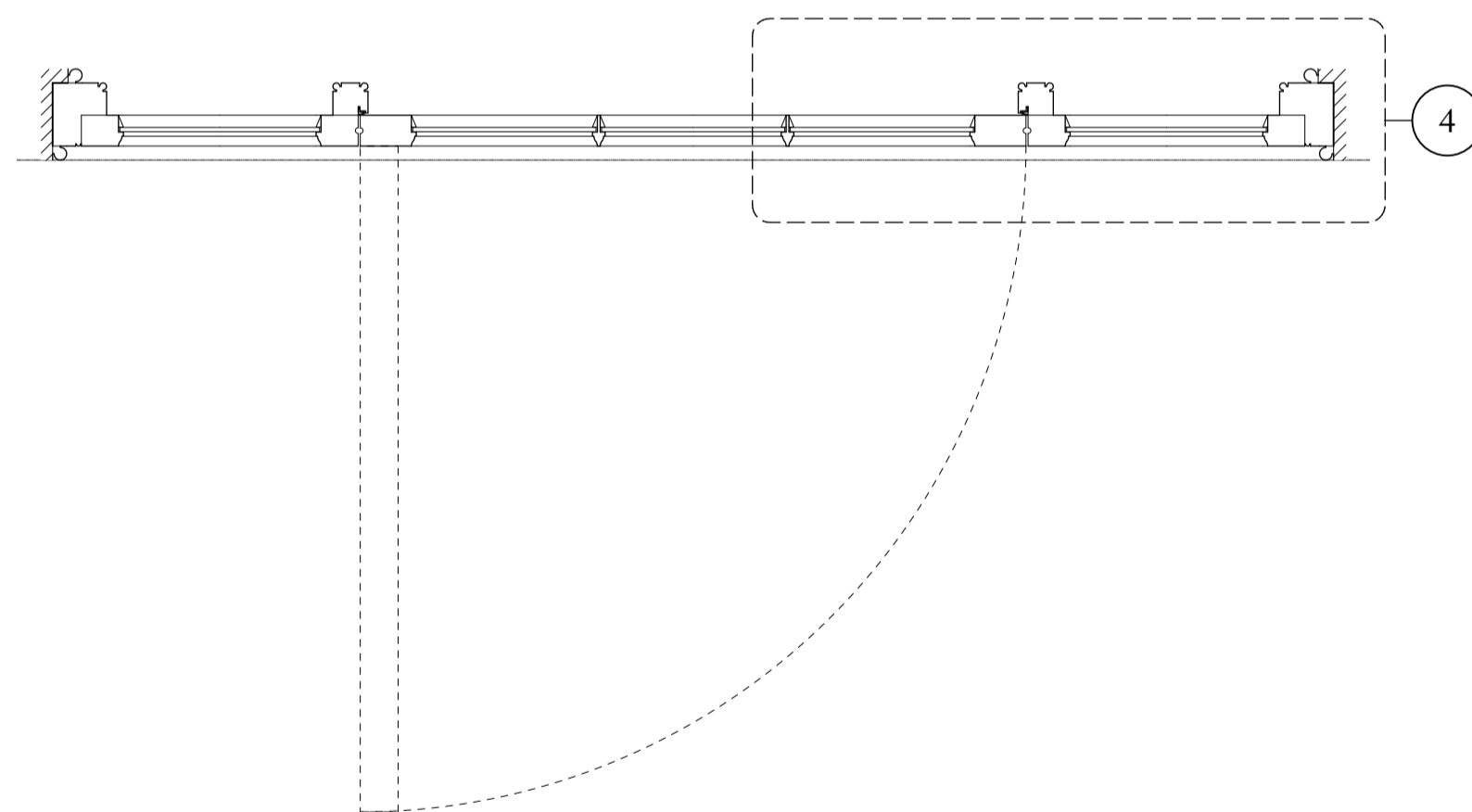
BOLTS:



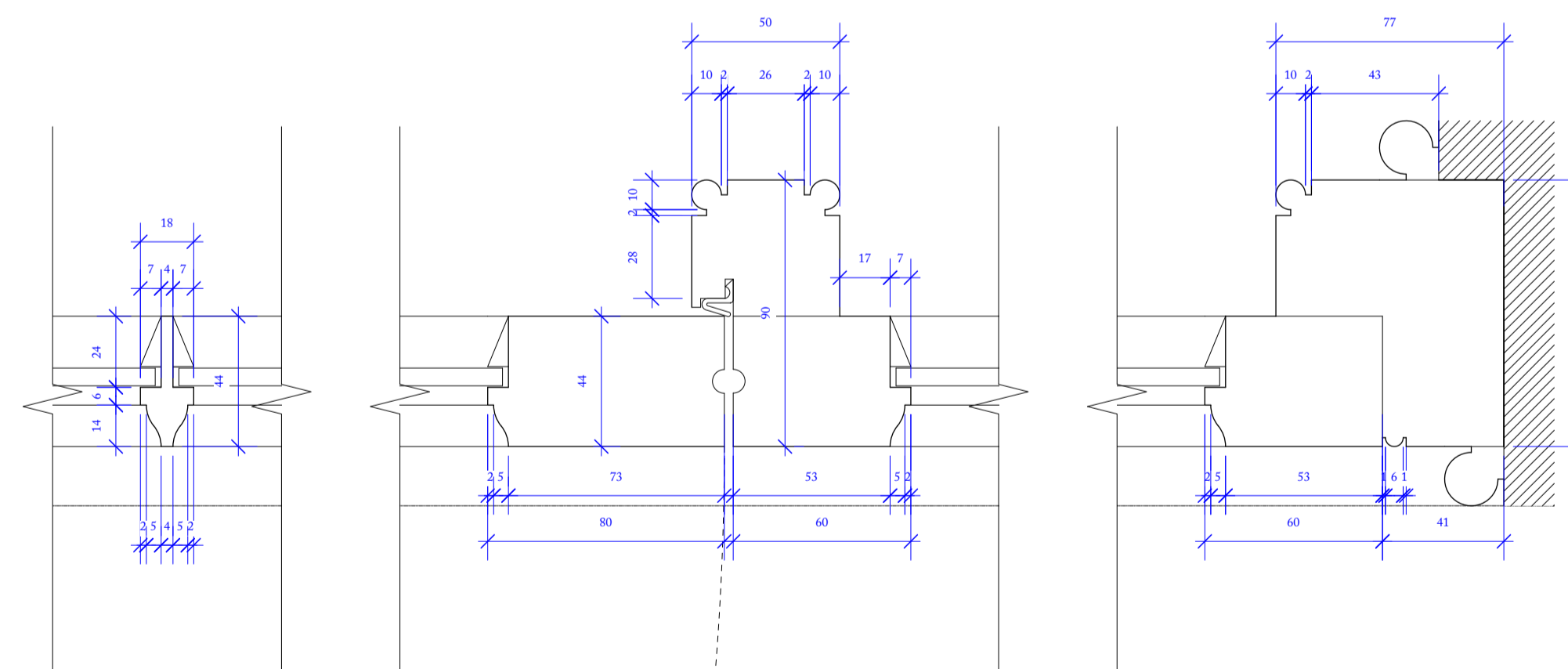
① HINGE SIDE ELEVATION
1:10@A1 / 1:20@A3



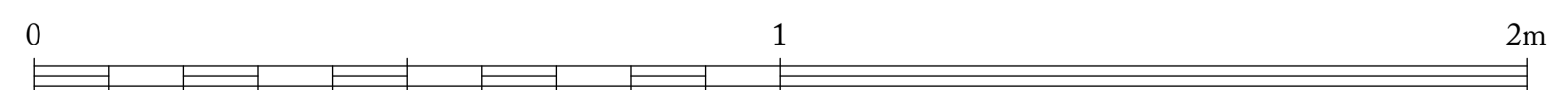
② FRAME SIDE ELEVATION
1:10@A1 / 1:20@A3



③ PLAN
1:10@A1 / 1:20@A3



④ PLAN DETAILS
1:2@A1 / 1:4@A3



Materials

Painted hardwood (tulipwood or similar) doors, framework and mouldings with painted interiors.

BB6 Laminated Glass from Barley Studio

ALL DIMENSIONS TO BE CONFIRMED BY CONTRACTOR PRIOR TO MANUFACTURE

REV. NO.	AMENDMENT	DATE
-	-	-

Ben Pentreath 3 Lamp Office Court Lambs Conduit Street London WC1N 3NF T +44 (0) 20 7430 2424 benpentreath.com	
PROJECT:	HELMINGHAM HALL
TITLE:	PROPOSED LARDER DOOR DG01
DRAWING NO: A-103.3	REV. NO: -
SCALE: 1:10@A1 1:20@A3	DRAWN BY: JAR
DATE: JAN 24	CHECKED BY: RJC

All dimensions to be checked on site.
All designs © Ben Pentreath Ltd 2020. Not to be reproduced without permission