



Lantern materials:

Solid hardwood frame and mouldings (Sapele or similar) with painted finish

16mm slim double glazed units from UA glass

Rolled lead externally capping to glazing bars

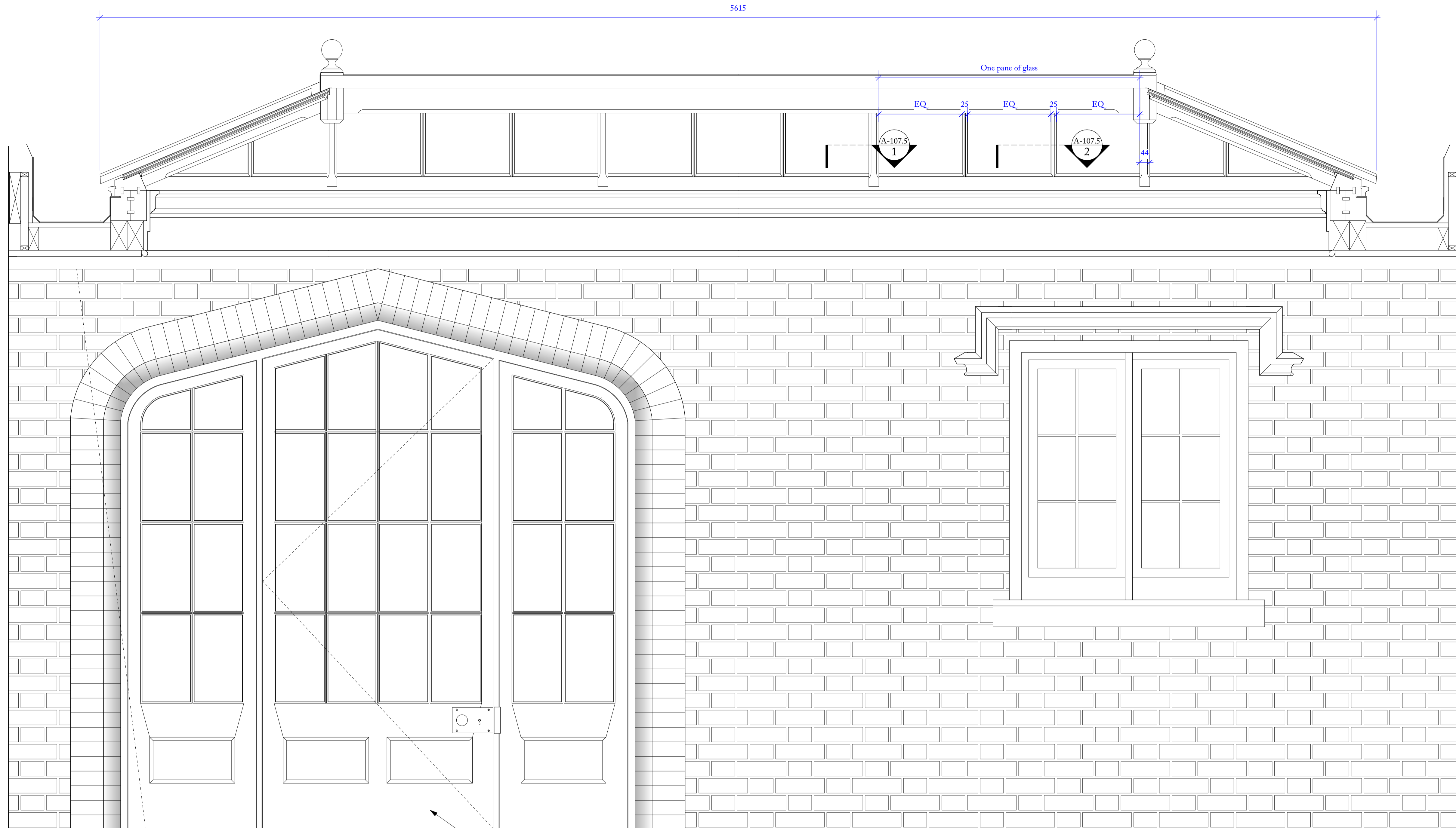
ALL DIMENSIONS TO BE CONFIRMED BY CONTRACTOR PRIOR TO MANUFACTURE

REV. NO.	AMENDMENT	DATE
-	-	-

Ben Pentreath		3 Lamp Office Court Lamb's Conduit Street London WC1N 3NF T +44 (0) 20 7430 2424 benpentreath.com	
PROJECT:		HELMINGHAM HALL	
TITLE:		PROPOSED GLASSHOUSE NORTH ELEVATION	
DRAWING NO:	A-107.1	REV. NO.:	-
SCALE:	1:10@A1 1:20@A3	DRAWN BY:	AM
DATE:	00.00.20	CHECKED BY:	RJC



All dimensions to be checked on site.
All designs © Ben Pentreath Ltd 2020. Not to be reproduced without permission



DG04

New glazed door and screen to existing arch.
See drawing A-107.6

Lantern materials:

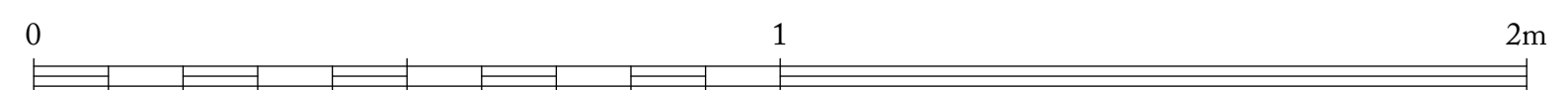
Solid hardwood frame and mouldings (Sapele or similar)
with painted finish

16mm slim double glazed units from UA glass

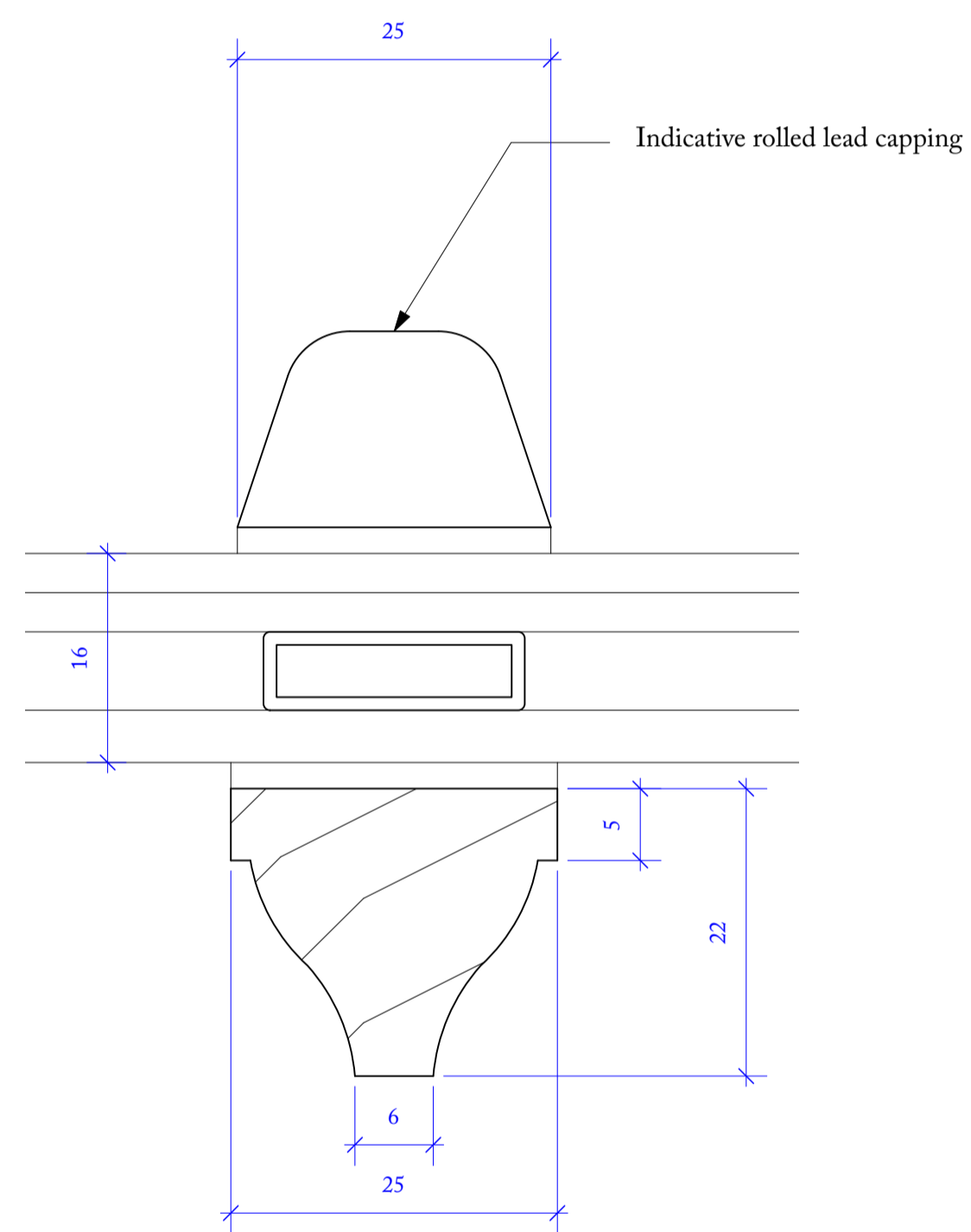
Rolled lead externally capping to glazing bars

REV. NO.	AMENDMENT	DATE

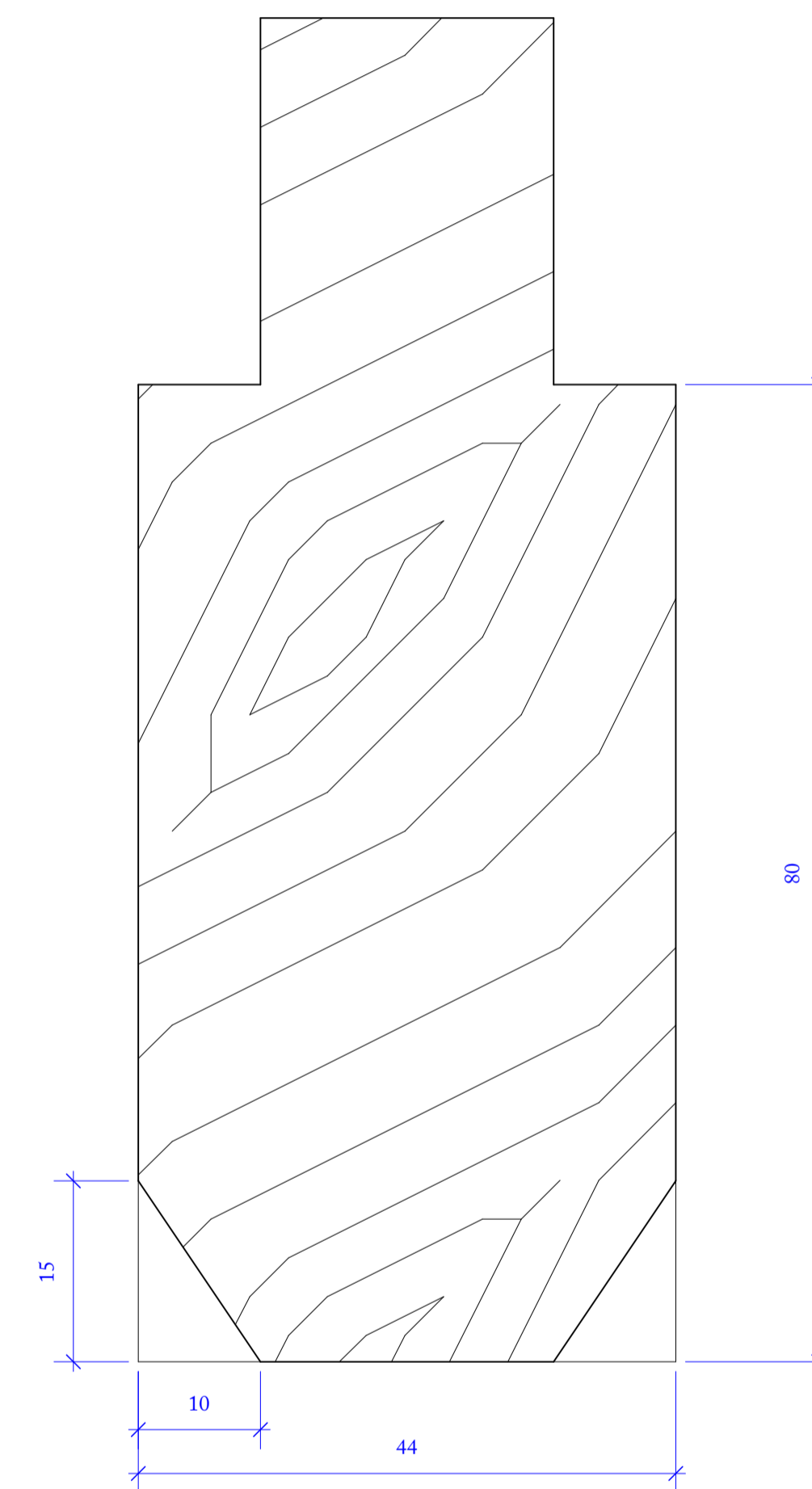
Ben Pentreath		3 Lamp Office Court Lamb's Conduit Street London WC1N 3NF T +44 (0) 20 7430 2424 benpentreath.com
PROJECT:	HELMINGHAM HALL	
TITLE:	PROPOSED GLASSHOUSE EAST ELEVATION	
DRAWING NO: -	REV. NO: -	
SCALE:	1:10@A1 1:20@A3	DRAWN BY: AM
DATE:	00.00.20	CHECKED BY: RJC



All dimensions to be checked on site.
All designs © Ben Pentreath Ltd 2020. Not to be reproduced without permission



1 GLAZING BAR DETAIL
1:1 @ A3



1 FRAME DETAIL
1:1 @ A3

Lantern materials:

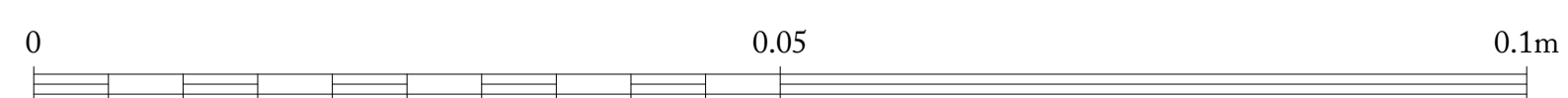
Solid hardwood frame and mouldings (Sapele or similar) with painted finish

16mm slim double glazed units from UA glass

Rolled lead externally capping to glazing bars

REV. NO.	AMENDMENT	DATE
-	-	-

Ben Pentreath		3 Lamp Office Court Lamb Conduit Street London WC1N 3NF T +44 (0) 20 7430 2424 benpentreath.com	
PROJECT:	HELMINGHAM HALL		
TITLE:	PROPOSED GLASSHOUSE LANTERN DETAILS		
DRAWING NO: -	REV. NO: -		
SCALE: 1:@A3	DRAWN BY: AM		
DATE: 00.00.20	CHECKED BY: RJC		



All dimensions to be checked on site.
All designs © Ben Pentreath Ltd 2020. Not to be reproduced without permission