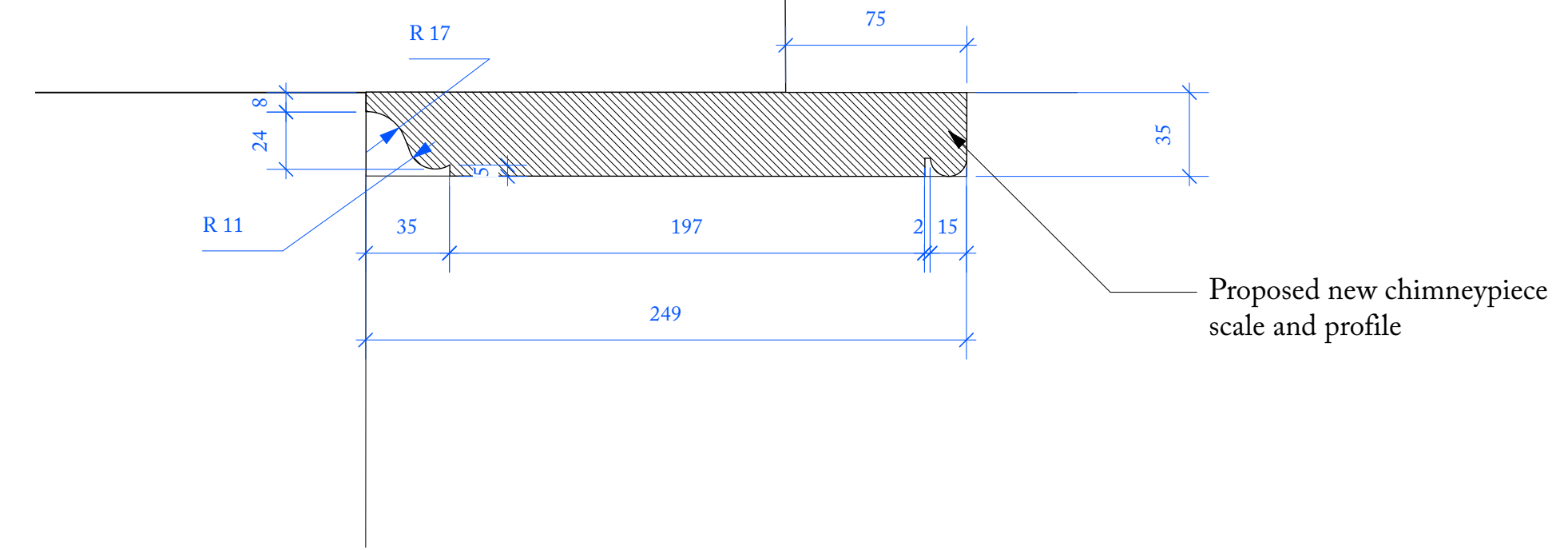


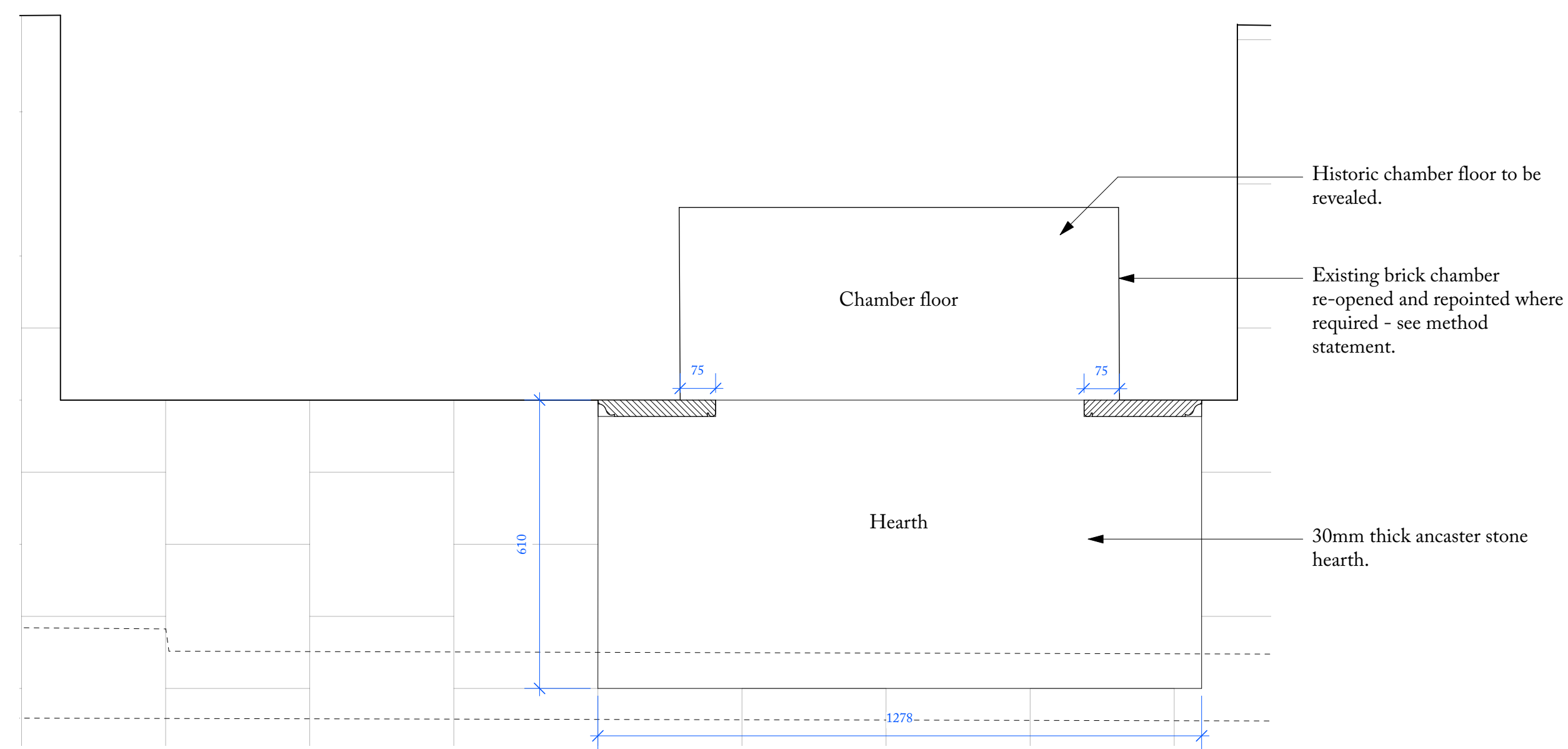
Dashed line indicates historic firebox revealed



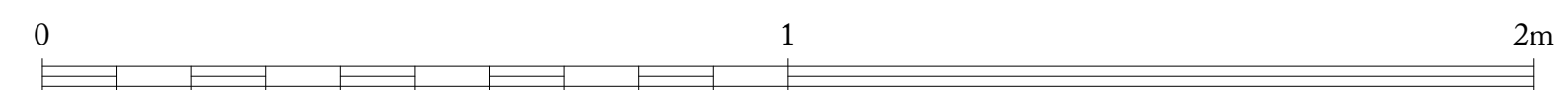
Proposed new chimney piece scale and profile

1 PROPOSED FIREPLACE ELEVATION
1:10 @ A3

3 PROPOSED CHIMNEYPIECE DETAIL
1:5 @ A3



2 PROPOSED FIREPLACE PLAN
1:20 @ A3



Ben Pentreath		3 Lamp Office Court Lamb Conduit Street London WC1N 3NF T +44 (0) 20 7430 2424 benpentreath.com	
PROJECT:	HELMINGHAM HALL		
TITLE:	PROPOSED KITCHEN FIREPLACE DETAILS		
DRAWING NO:	A-101.10	REV. NO.:	-
SCALE:	1:10A1 1:20@A3	DRAWN BY:	AM
DATE:	18.03.24	CHECKED BY:	RJC
All dimensions to be checked on site. All designs © Ben Pentreath Ltd 2020. Not to be reproduced without permission			