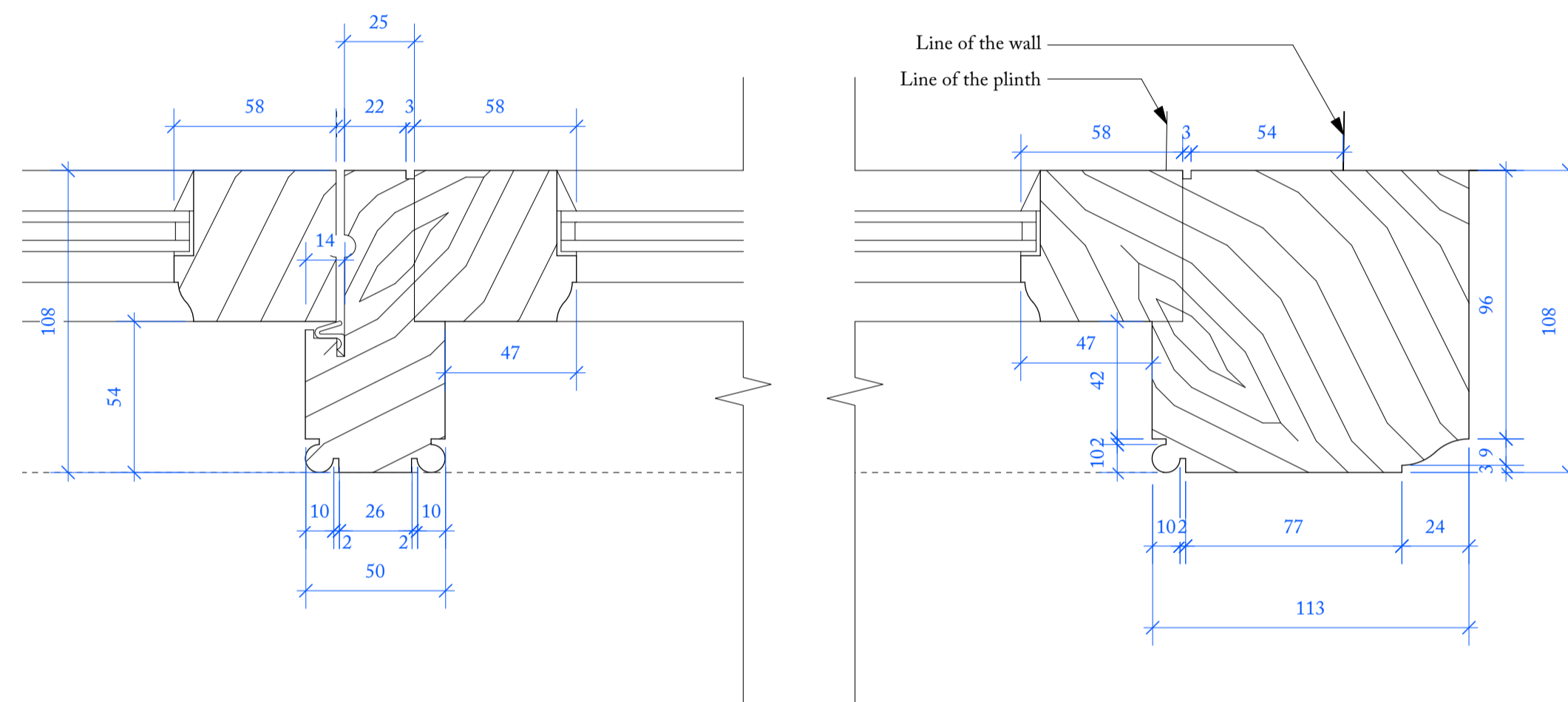
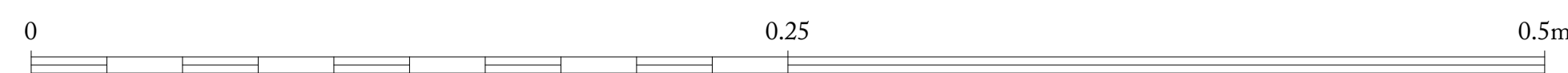


1 SCREEN SECTION DETAILS
1:2 @ A1



2 SCREEN PLAN DETAILS
1:2 @ A1



Materials

- Solid oak frame, door and side panels
- Double glazed units (14mm) from UA glass with white spacers
- BB4 Laminated Glass from Barley Studio to leaded fanlight

REV. NO.	AMENDMENT	DATE
-	-	-

Ben Pentreath		3 Lamp Office Court Lamb Conduit Street London WC1N 3NF T +44 (0) 20 7430 2424 benpentreath.com	
PROJECT:	HELMINGHAM HALL		
TITLE:	PROPOSED BOOT ROOM DOOR ED01 DETAILS		
DRAWING NO:	A-104.7	REV. NO.:	-
SCALE:	1:1@A1 1:2@A3	DRAWN BY:	AM
DATE:	JAN 24	CHECKED BY:	RJC

All dimensions to be checked on site.
All designs © Ben Pentreath Ltd 2020. Not to be reproduced without permission