

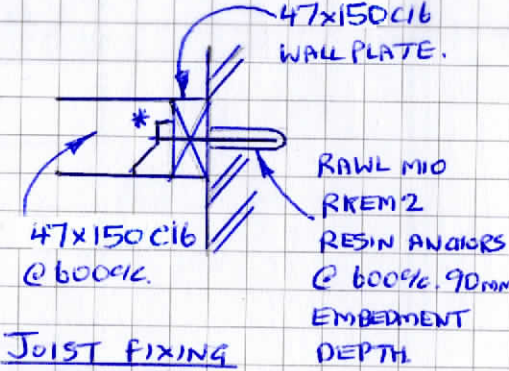
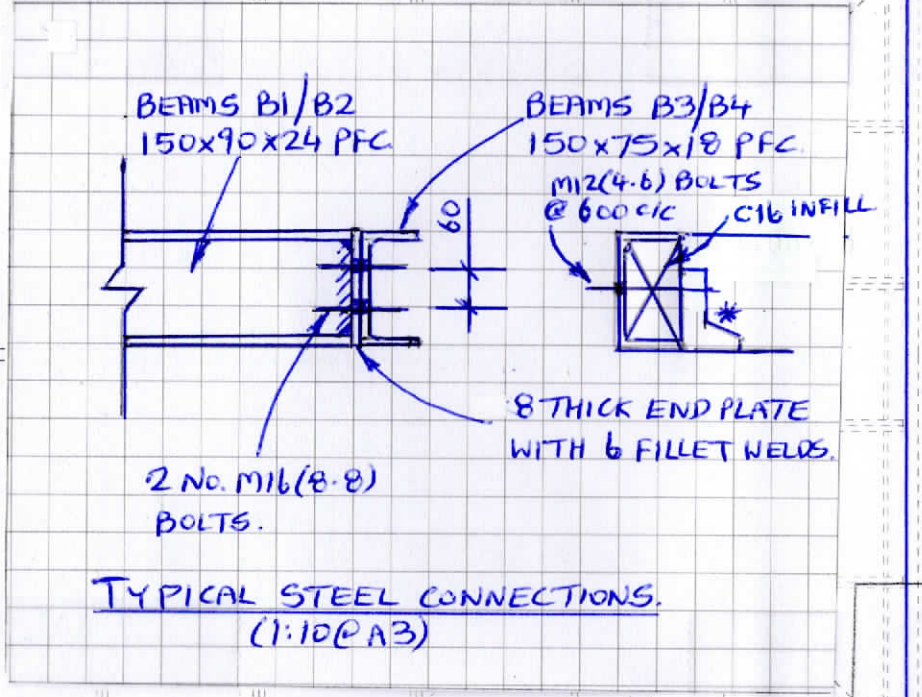
ANY STEEL BEAM SPLICES TO BE DESIGNED BY THE STEEL FABRICATOR'S ENGINEER AND APPROVED BY THE MORTON PARTNERSHIP LTD.

FACING STONE LINTEL TO ARCHITECT'S DETAILS.

NAYLOR CONCRETE LINTELS TO HAVE THE REINFORCEMENT TOWARDS THE BOTTOM OF THE LINTELS.

NAYLOR R6 (100x140 DEEP) CONCRETE LINTELS. CONFIRM NUMBER REQUIRED AND BEARINGS AFTER OPENING UP.

**RAWL RREM-2 RESIN ANCHORS:**  
 SUBSTRATE HOLES TO BE DRILLED & CLEANED IN STRICT ACCORDANCE WITH THE LATEST MANUFACTURER'S INSTRUCTIONS.  
 NOTE THE RESIN WORKING & CURING TIMES WHICH ARE RELATED TO THE BASE MATERIAL TEMPERATURE.  
 REFER TO THE SAME INFORMATION FOR THE REQUIRED DRILLED SUBSTRATE HOLE DIAMETERS, STANDARD EMBEDMENT DEPTHS (UNLESS NOTED OTHERWISE ON THIS DRAWING), AND RECOMMENDED TORQUE SETTINGS.



47x150c16 @ 600c/c  
 BEAM B4 150x75x18 PFC  
 EB

47x150c16 @ 600c/c  
 BEAM B1 150x90x24 PFC

BEAM B2 150x90x24 PFC

47x150c16 @ 600c/c  
 BEAM B3 150x75x18 PFC

**NOTES:**  
 Refer to Architect's/ Building Designer's drawings for general construction details.  
 All steelwork to be hot finished grade S275 & comply with BS EN 10025 & BS5950.  
 Lengths of all members to be taken from actual site dimensions and not scaled from this drawing.  
 Construction shown is based on presumed details of existing construction. To be confirmed on site.

**NOTES (CONT.):**  
 To comply with CE marking for Fabricated structural steelwork Execution Class 2 (EXC2) should be used for this project.  
 Additional holes for the fixing of timber grounds etc. as required by main Contractor.  
 Steelwork shall be wire brushed/blast cleaned to SA 2.5 standard and painted with two coats of zinc rich primer except where noted.

ALL STRUCTURAL TIMBER MEMBERS TO BE PRE-TREATED WITH PROTIM CLEARCHOICE (OR EQUIVALENT). DO NOT USE ACQ TREATMENT.

EB= SINGLE ENGINEERING BRICK PADSTONE OR 200x100x15 THK. STEEL BEARING PLATE.

HELMINGHAM MALL, HELMINGHAM, STOWMARKET  
 LANTERN LIGHT SUPPORT  
**The Morton Partnership**  
 Structural Engineers  
 22432-01  
 SCALE 1:20 @ A3 JAN. 2024 PV