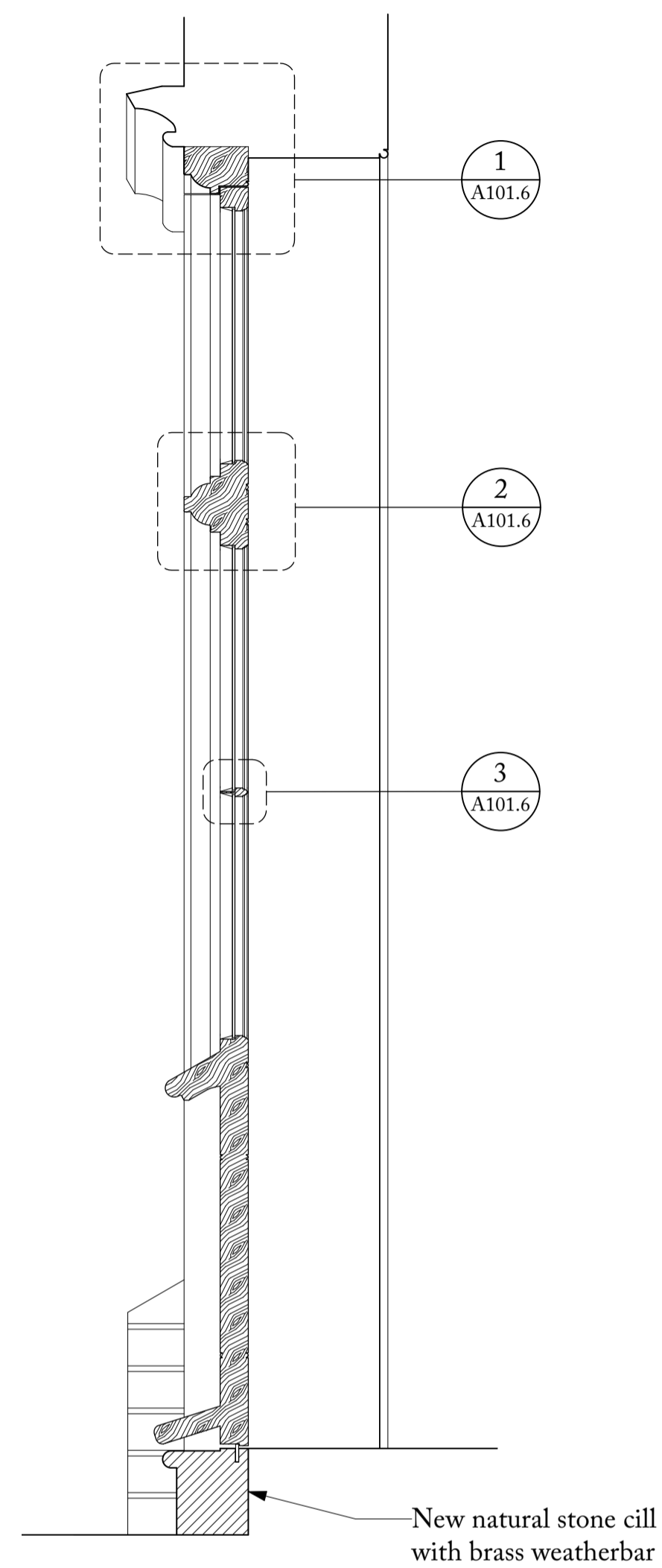
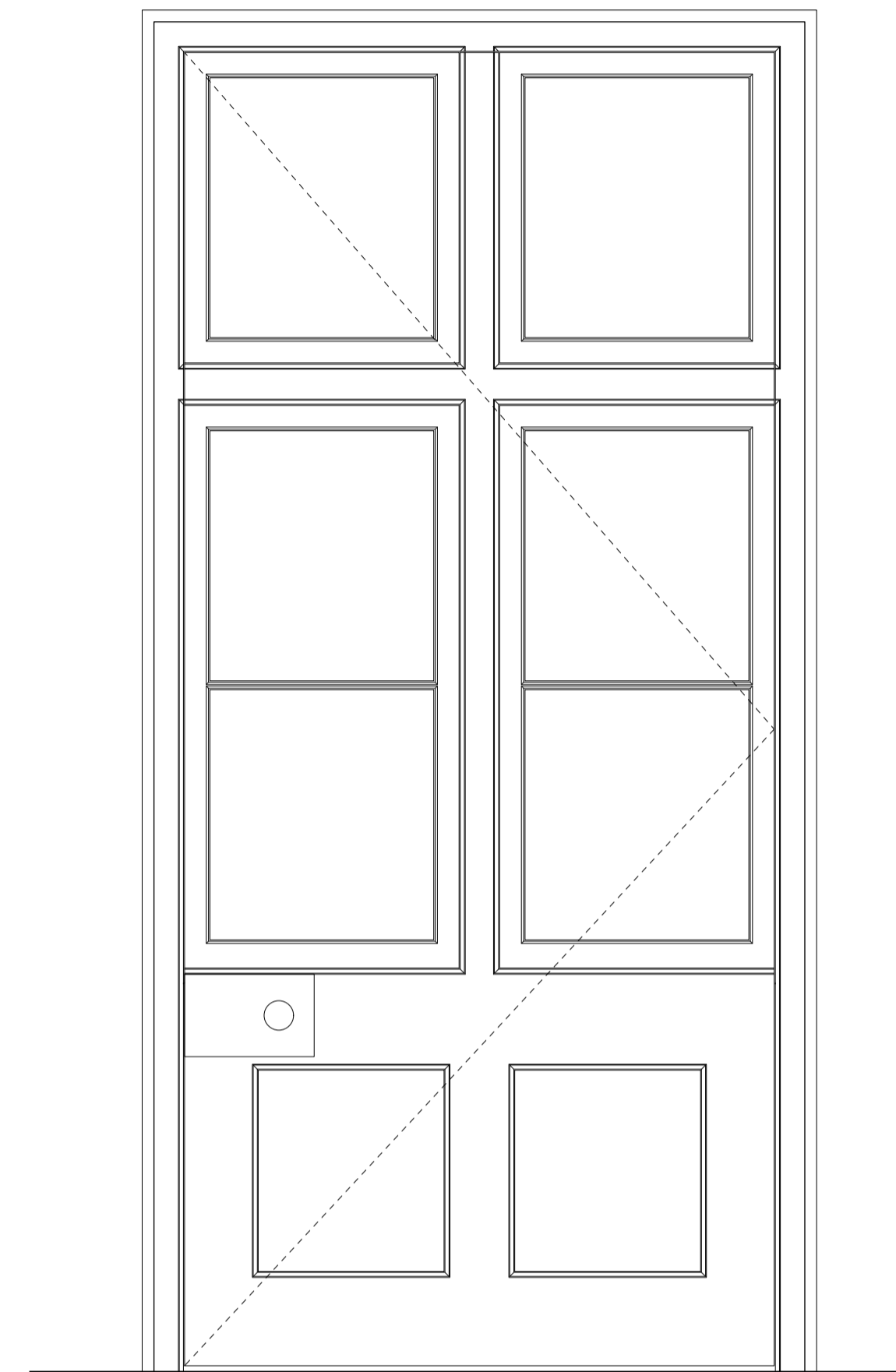


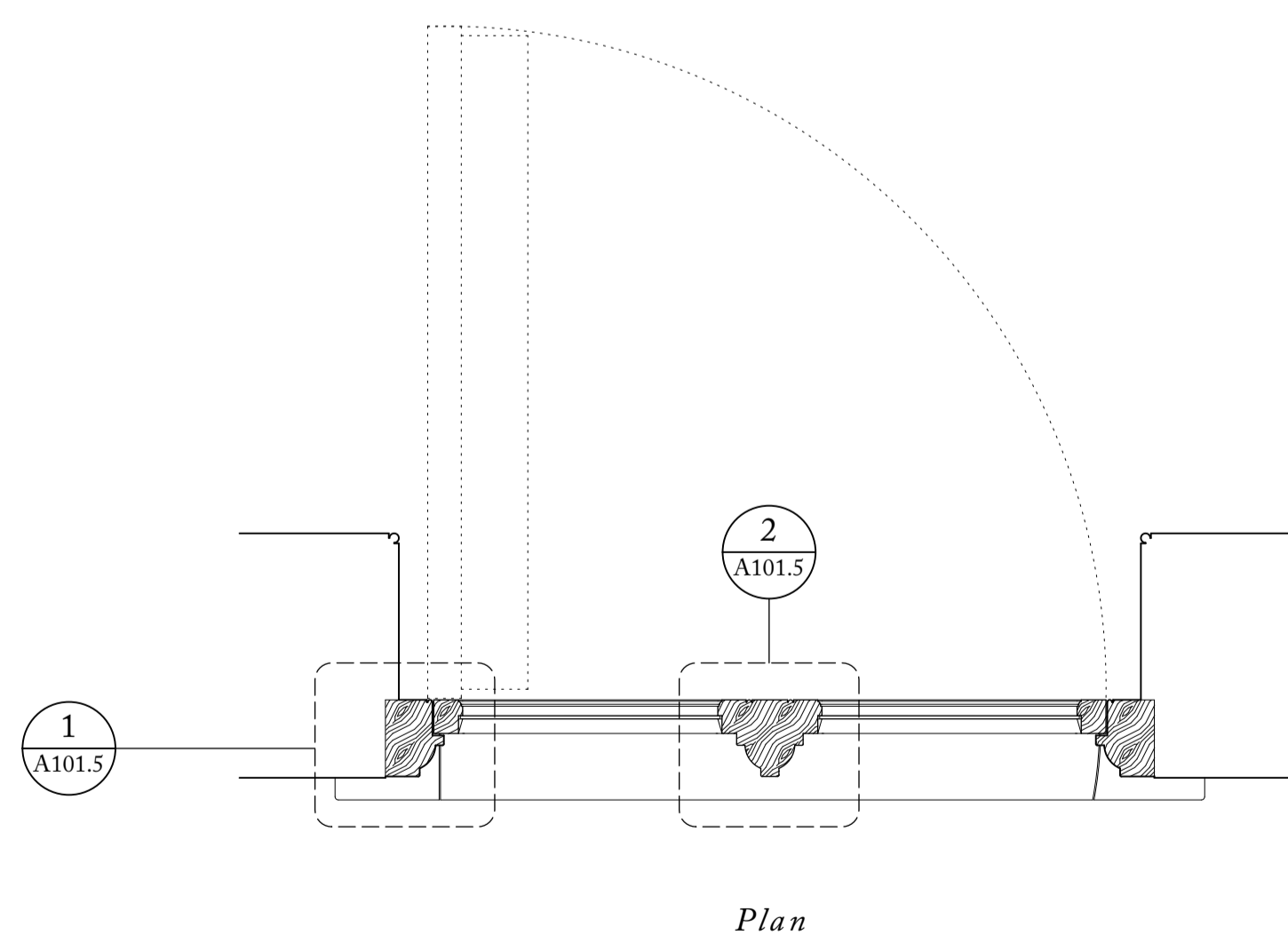
External elevation



Section

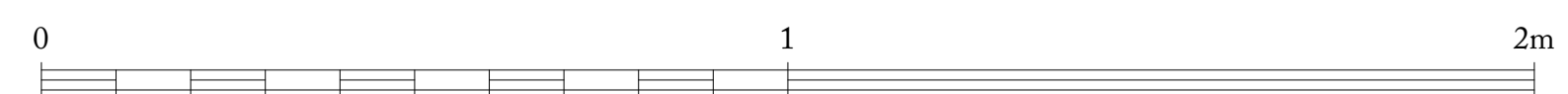


Internal elevation



Plan

Detailing of window conversion to exactly match existing window door to north-east elevation



Materials

Painted timber with frame and mullions reused.

Glazing - Original glass retained

Cill - Natural stone

REV. NO	AMENDMENT	DATE
-	-	-

Ben Pentreath		3 Lamp Office Court Lamb Conduit Street London WC1N 3NF T +44 (0) 20 7430 2424 benpentreath.com	
PROJECT:	HELMINGHAM HALL		
TITLE:	PROPOSED KITCHEN WINDOW DOOR		
DRAWING NO: A-101.4	REV. NO:	-	
SCALE: 1:10@A1 1:20@A3	DRAWN BY:	PWD	
DATE: 02.11.22	CHECKED BY:	RJC	

All dimensions to be checked on site.
All designs © Ben Pentreath Ltd 2020. Not to be reproduced without permission