
Powerful and efficient exhaust fans for medium temperatures up to 120°C

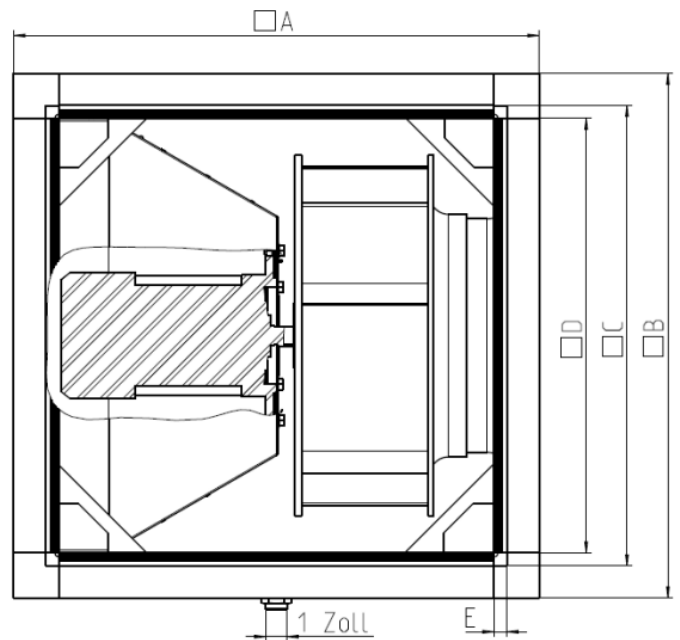
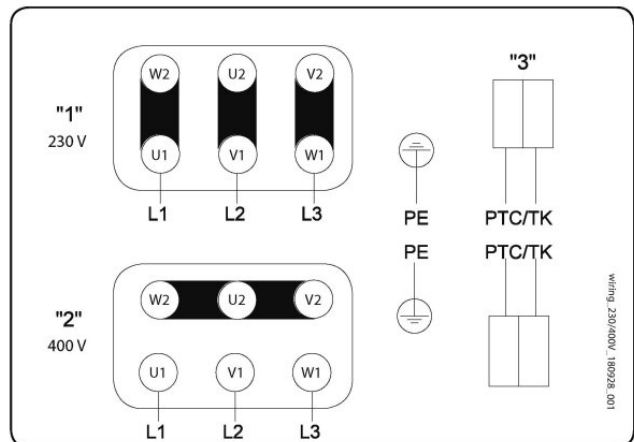
- For kitchen and industrial environments
- Up to 120°C medium temperature, continuous operation
- Drip pan and drain plug included
- Acoustic and thermal insulation 30 mm
- Flexible airflow direction due to removable panels
- Indoor and outdoor installation
- Modular system of accessories
- Available with AC and EC motors for 50 and 60Hz

[Find more details in our online catalogue](#)
Technical parameters

Nominal data	
Voltage (nominal)	400 V
Frequency	50 Hz
Phases	3~
Input power	2,469 W
Input current	4.48 A
Impeller speed	1,459 rpm
Air flow [m³/h]	max 11,988 m³/h
Temperature of transported air	max 120 °C
Max temperature of transported air, when speed controlled	120 °C
Protection/Classification	
Enclosure class, motor	IP55
Insulation class	F
Dimensions and weights	
Weight	103.5 kg
Others	
Motor type	AC

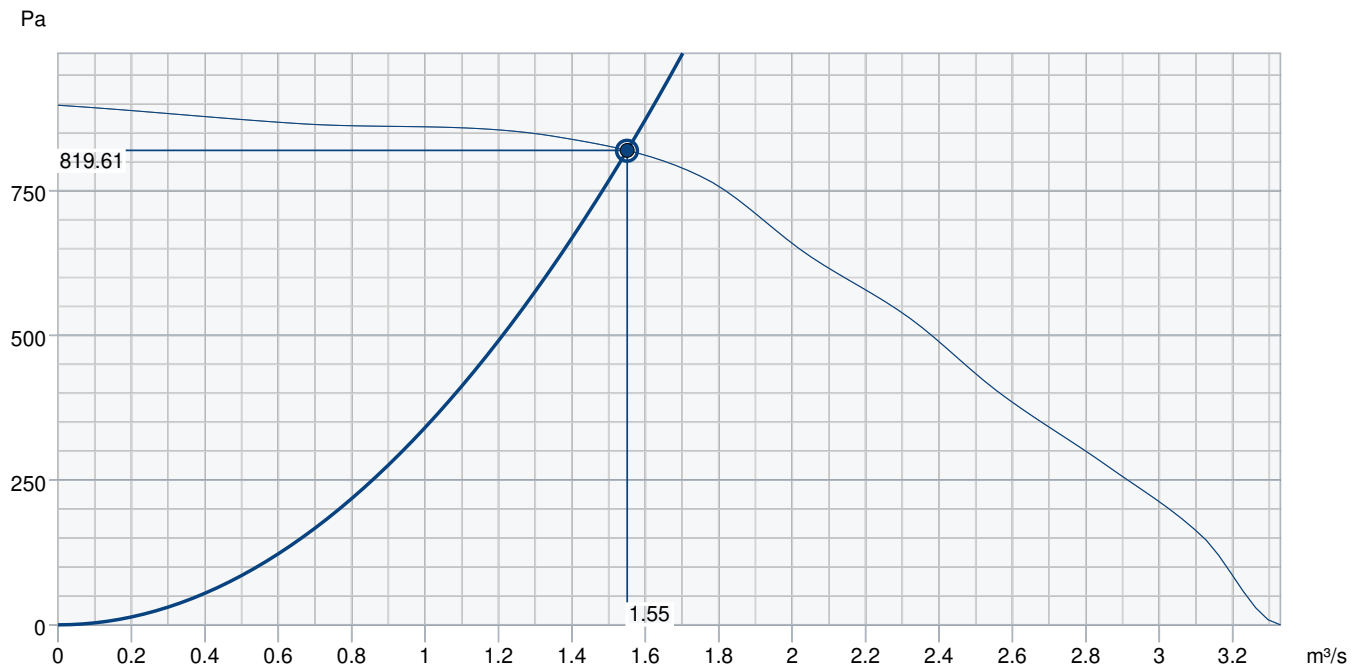
Dimension

MUB/T 062	□A	□B	□C	□D	E
500/560/630	820	820	720	678	21


Wiring


- 3 x 230V Delta Connection
 - 3 x 400V Star connection
 - PTC / TK
- Changing of direction of rotation by interchanging of two phases

Performance curve



Hydraulic data										
Required air flow	1.55 m³/s									
Required static pressure	819 Pa									
Working air flow	1.55 m³/s									
Working static pressure	820 Pa									
Air density	1.204 kg/m³									
Power	2,356.3 W									
Fan control - RPM	1,462 rpm									
Current	4.31 A									
SFP	1.520 kW/m³/s									
Control voltage	400.0 V									
Supply voltage	400 V									
Sound power level		63	125	250	500	1k	2k	4k	8k	Total
Inlet	dB(A)	50	74	74	77	77	74	72	63	83
Outlet	dB(A)	51	75	75	78	79	76	73	65	84
Surrounding	dB(A)	30	58	47	44	47	46	39	28	59
Sound pressure level at 3m (20m² Sabine)	dB(A)	-	-	-	-	-	-	-	-	52
Sound pressure level at 3m free field	dB(A)	-	-	-	-	-	-	-	-	38
Accessories										

Accessories

[FGV 062/716-716 flex. conn. \(4198\)](#)
[Frequency converter FRQ5-10A \(36230\)](#)
[Frequency converter FXDM5AM \(31387\)](#)
[SD-MUB Vibration pad set \(37324\)](#)
[UGS 062/500 adapter flex 120°C \(38370\)](#)
[UGS 062/630 adapter flex. \(4358\)](#)
[WSG 062 MUB/T complete \(36067\)](#)
[Frequency converter FRQS-10A \(36232\)](#)
[CCM inlet MUB062 d630 \(311783\)](#)
[CCM outlet MUB062 d630 \(311681\)](#)
[CCMI outlet 062 d630 KIT 30mm \(239096\)](#)
[KKD 062-damper-section \(333318\)](#)
[KKF-ALU 062-filter-section \(376816\)](#)
[KKF-CAR 100-filter-section \(277348\)](#)
[KKF-KITCHEN 100-filter-section \(277367\)](#)
[SDM Service Door MUB 062 30mm \(273935\)](#)

[Frequency converter FRQ-10A \(36228\)](#)
[Frequency converter FRQ5S-10A \(36234\)](#)
[M-SG 062/718x718 \(301346\)](#)
[U-EK230E Motor protection \(30199\)](#)
[UGS 062/630 adapter flex 120°C \(38371\)](#)
[WSD 062 \(860x860x70\) complete \(31482\)](#)
[FGV 062/716-716 flex. 120°C \(38362\)](#)
[CCM inlet MUB062 d560 \(311782\)](#)
[CCM outlet MUB062 d560 \(311684\)](#)
[CCMI outlet 062 d560 KIT 30mm \(239095\)](#)
[GRU 062-820/100 \(276662\)](#)
[KKF 30 062-filter-section \(93312\)](#)
[KKF-CAR 062-filter-section \(277347\)](#)
[KKF-KITCHEN 062-filter-section \(277364\)](#)
[KKS 062 silencer-section \(276852\)](#)

Documents

[Installation, Operation and Maintenance instruction_001](#)
[EU DECLARATION OF CONFORMITY_THERMOFANS_EN_004.PDF](#)
[COMMISSIONING REPORT_FANS_160628_EN_001.PDF](#)