

KVK Silent 200

Item Number: 92161

Variant: 230V 1~ 50Hz



- Low sound level, thick and high density insulation
- Compact design, easy installation
- Easy maintenance, service cover
- Air tight design
- High efficiency and low SFP in a real working point
- Speed-controllable
- Simple to install, mounting brackets included
- Integrated motor protection
- Casing according to classification EI30
- Aluzinc casing, C4 corrosion class

KVK Silent is a box fan with circular duct connections. The casing is insulated with thick and high density mineral wool insulation. Due to this insulation the casing has classification according to EI30. The casing is manufactured from Aluzinc in corrosion class C4.

KVK Silent can be demand controlled via sensors and controllers for CO₂, temperature, humidity, presence indication and VAV or manually speed controlled via a stepless thyristor or a 5-step transformer. To protect the motor from overheating, the fans have integral thermal contacts with manual reset (reset by disconnecting the power).

KVK Silent can be installed in any position.

The FK mounting clamp (accessory) facilitates easy installation and removal and prevents the transfer of vibration to the duct.



Technical parameters

Nominal data		
Voltage (Nominal)	230	V
Frequency	50	Hz
Phase(s)	1~	
Input power	105	W
Input current	0.465	A
Impeller speed	2,439	r.p.m.
Air flow	max 0.205	m ³ /s
Capacitance of capacitor	2.5	μF
Temperature of transported air	max 70	°C
Max temperature of transported air, when speed controlled	70	°C
Sound data		
Sound pressure level at 3m (20m ² Sabin)	40	dB(A)
Protection/Classification		
Enclosure class, motor	IP44	
Insulation class	F	
Data according to ErP		
Energy class, Basic unit	E	
Energy class, Local demand	C	
ErP ready	ErP 2018	
Dimensions and weights		
Duct dimension; Circular, inlet	200	mm
Duct dimension; Circular, outlet	200	mm
Weight	21.1	kg

Others

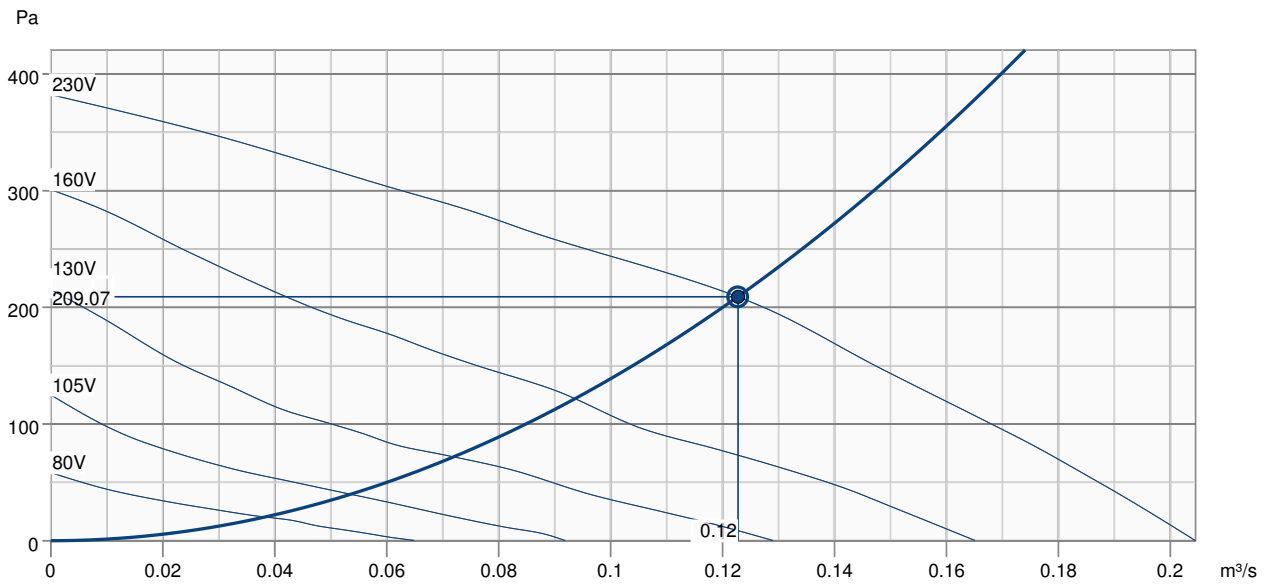
Duct connection type

Circular

Motor type

AC

Performance curve

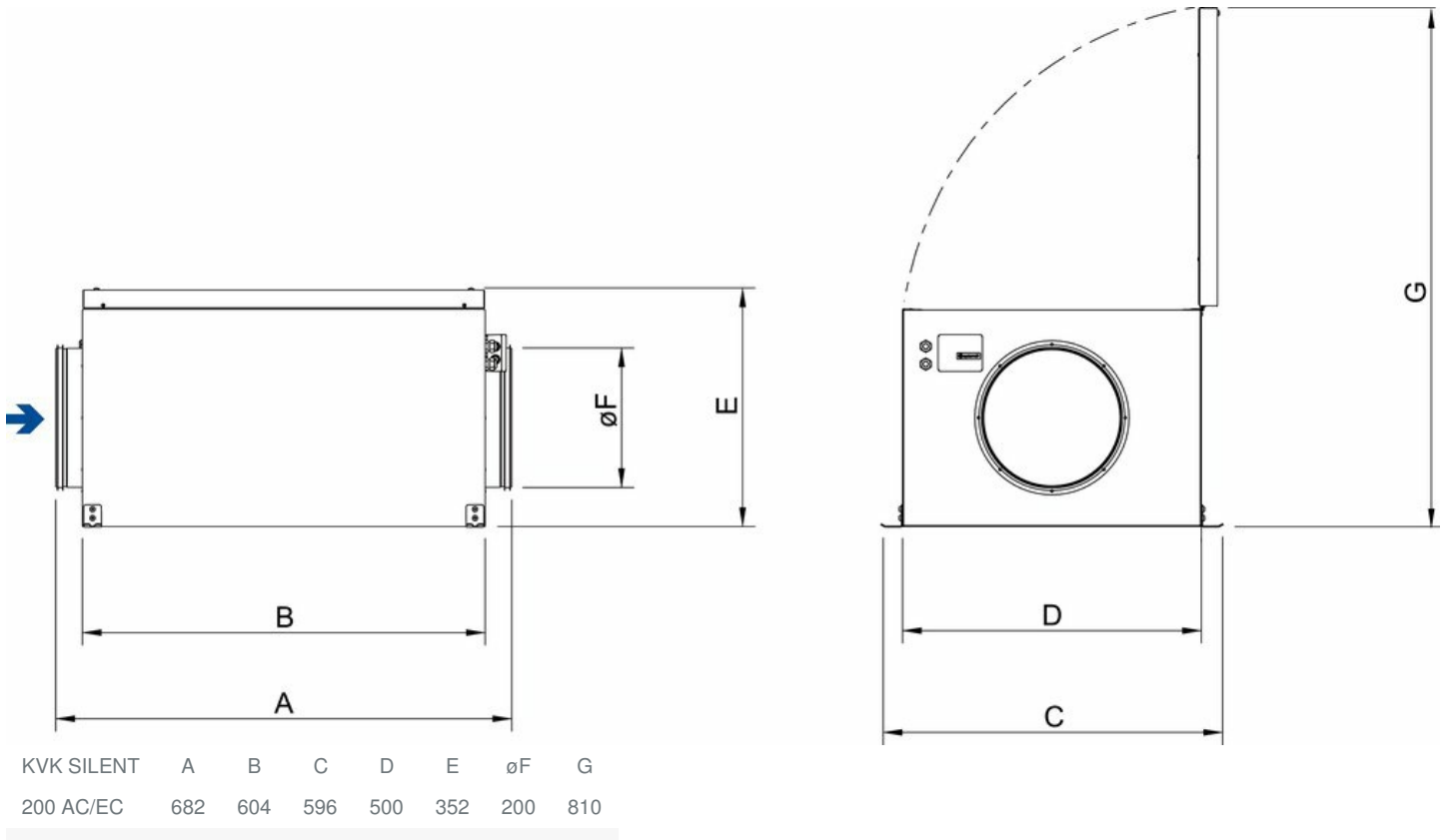


Hydraulic data

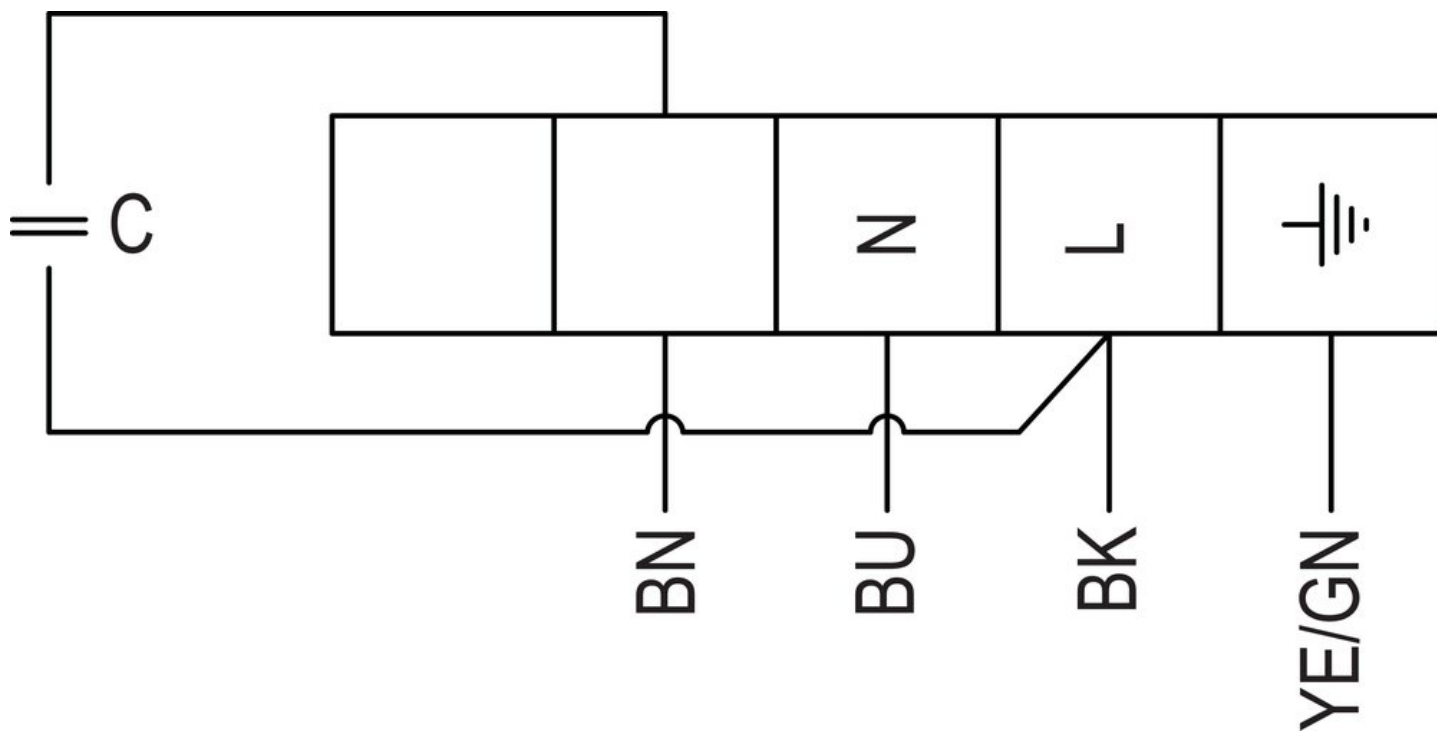
Required air flow	0.12 m ³ /s
Required static pressure	209 Pa
Working air flow	0.12 m ³ /s
Working static pressure	209 Pa
Air density	1.204 kg/m ³
Power	103.2 W
Fan control - RPM	2444 rpm
Current	0.46 A
SFP	0.840 kW/m ³ /s
Control voltage	230.0 V
Supply voltage	230 V

Sound power level		63	125	250	500	1k	2k	4k	8k	Total
Inlet	dB(A)	49	55	60	55	47	46	44	40	63
Outlet	dB(A)	48	49	60	59	56	57	51	40	65
Surrounding	dB(A)	24	32	44	40	34	31	33	33	46

Dimension



Wiring



YE Yellow

BU Blue

GN Green

BN Brown

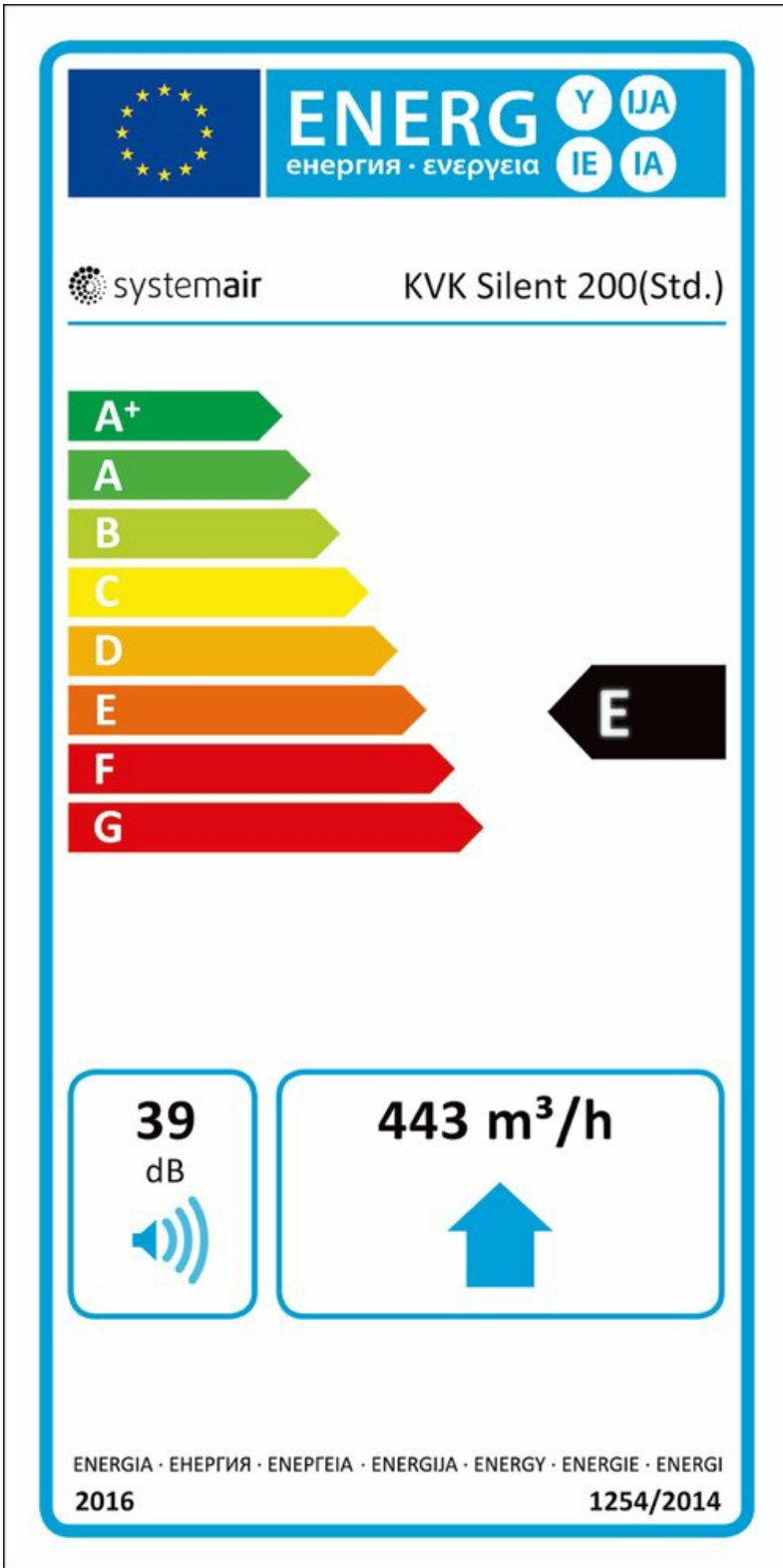
BK Black

Product	
Trade name	Systemair
Product name	KVK Silent 200

Basic unit		
ErP compliance		2016
SEC Average	-12.6	kWh/(m ² .a)
SEC Cold	-29	kWh/(m ² .a)
SEC Warm	-3.2	kWh/(m ² .a)
SEC Class		E
Unit category		RVU
Unit type		UVU
Drive		External MSD or VSD
Heat recovery type		None
Temperature ratio (UVU)		Not applicable
qv max	443	m ³ /h
P max	103	W
Sound power level LWA	39	dB(A)
qv ref	0.033	m ³ /s
Ps ref	50	Pa
SPI	0.041	kW/(m ³ /h)
CTRL		1
MISC		1.1
x-value		1.5
External Leakage	0.1	%
AEC average	183	kWh
AHS Cold	183	kWh
AEC warm	183	kWh
AHS Average	1,715	kWh/a
AHS Cold	3,355	kWh/a
AHS Warm	776	kWh/a

Units with local demand control		
ErP compliance		2018
SEC Average	-25.9	kWh/(m ² .a)
SEC Cold	-53	kWh/(m ² .a)
SEC Warm	-10.4	kWh/(m ² .a)
SEC Class		C
Unit category		RVU
Unit type		UVU
Drive		External MSD or VSD
Heat recovery type		None
Temperature ratio (UVU)		Not applicable
qv max	168	m ³ /h
P max	62	W
Sound power level LWA	39	dB(A)
qv ref	0.0327	m ³ /s
Ps ref	50	Pa
SPI	0.041	kW/(m ³ /h)
CTRL	0.65	
MISC	1.1	
x-value	1.5	
External Leakage	0.1	%
AEC average	96	kWh
AEC cold	96	kWh
AEC warm	96	kWh
AHS Average	2,830	kWh/a
AHS Cold	5,536	kWh/a
AHS Warm	1,280	kWh/a

Energy class label



The image shows a standard European energy label for a mechanical ventilation unit. It features the EU flag, the word 'ENERG' in large letters, and its translations in Greek (енергия, ενεργεια) and Cyrillic (Y IJA, IE IA). The manufacturer 'systemair' and model 'KVK Silent 200(Opt.)' are listed. A vertical scale of energy classes from A+ to G is shown, with class 'C' highlighted in a black arrow pointing to the right. Below the scale, two boxes provide specific data: a sound power level of 39 dB (with a speaker icon) and a flow rate of 443 m³/h (with an upward arrow icon). At the bottom, the label includes the text 'ENERGIA · ЕНЕРГИЯ · ΕΝΕΡΓΕΙΑ · ENERGIJA · ENERGY · ENERGIE · ENERGI' and the date '2016 1254/2014'.

ENERG
енергия · ενεργεια
Y IJA
IE IA

systemair KVK Silent 200(Opt.)

A+
A
B
C
D
E
F
G

C

39
dB

443 m³/h

ENERGIA · ЕНЕРГИЯ · ΕΝΕΡΓΕΙΑ · ENERGIJA · ENERGY · ENERGIE · ENERGI
2016 1254/2014

Accessories

- CB 200-2,1 230V/1 Duct heater (5384)
- CB 200-3,0 230V/1 Duct heater (5370)
- CB 200-5,0 400V/2 Duct heater (5371)
- CB 200/S1/3,0KW 400V/2Duct hea (5294)
- CBM 200-5,0 400V/2 Duct heater (5483)
- CO2RT-R-D Transmitter (6993)
- CWK 200-3-2,5 Duct cooler,circ (30023)
- FFR 200 Filter cassette (1773)
- FGR 200 Filter cassette (1812)
- FK 200 Fast clamp (1611)
- FRQ5S-E-6A (37421)
- FRQS-E-6A (37419)
- IGK-200 Wall Grid (1633)
- LDC 200-600 Silencer (5194)
- LDC 200-900 Silencer (5195)
- Presence detector/IR24-P (6995)
- REE 1 Speed control (5314)
- REPT 6 Digital regulator (5698)
- RETP 6 Temp/Pressure regulator (32293)
- REU 1.5 Speed control (5004)
- REV-5POL/05 ON/OFF (33979)
- RSK-200 Back draft damper (5602)
- RT 0-30 Room Thermostat (5151)
- RTRE 1,5 Speed control (5008)
- S-ET 10 Motor Protection (5154)
- S-ET 10E Motor Protection (5155)
- SG 200 Protection guard (5609)
- STL 1.5 Speed controller (84251)
- THB 200 Hood w.cover pl. black (134465)
- VBC 200-2 Water heating batt (5459)
- VBC 200-3 Water heating batt (9841)
- VBF 200 Water heating battery (1732)
- VK-20 Louvre shutter (5639)
- VKK-200 Back draft damper (1626)

Documents

- [KVK_SILENT_SLIM_OPERATING_MAINTENANCE_145899_CE_EN_A007.PDF](#)