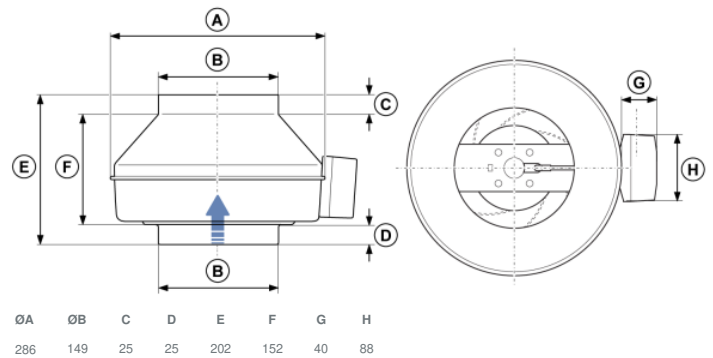




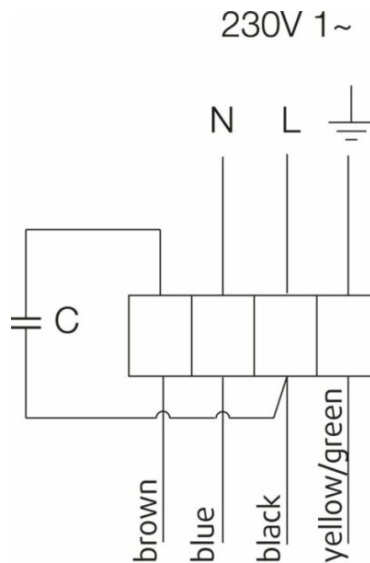
Technical parameters

Nominal data	
Voltage (nominal)	230 V
Frequency	50 Hz
Phases	1~
Input power	53 W
Input current	0.232 A
Impeller speed	2,379 rpm
Air flow	max 0.129 m ³ /s
Capacitance of capacitor	1.5 µF
Temperature of transported air	max 70 °C
Max temperature of transported air, when speed controlled	70 °C
Sound data	
Sound pressure level at 3m (20m ² Sabin)	40 dB(A)
Protection/Classification	
Enclosure class, motor	IP44
Insulation class	B
Data according to ErP	
Energy class, Basic unit	E
Energy class, Local demand	B
ErP ready	ErP 2016; ErP 2018
Dimensions and weights	
Duct dimension; Circular, inlet	150 mm
Duct dimension; Circular, outlet	150 mm
Weight	3.3 kg
Others	
Duct connection type	Circular
Motor type	AC

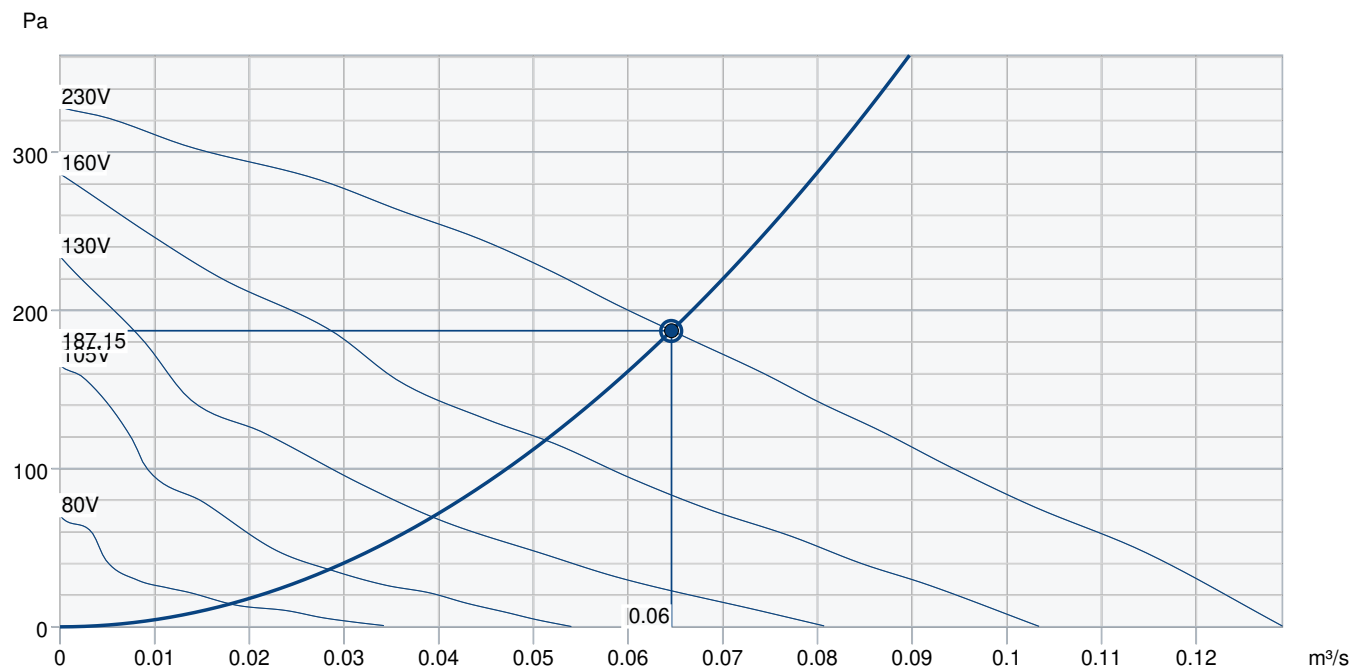
Dimension



Wiring



Performance curve



Hydraulic data										
Required air flow										0.06 m³/s
Required static pressure										187 Pa
Working air flow										0.06 m³/s
Working static pressure										187 Pa
Air density										1.204 kg/m³
Power										52.2 W
Fan control - RPM										2,397 rpm
Current										0.20 A
SFP										0.808 kW/m³/s
Control voltage										230.0 V
Supply voltage										230 V
Sound power level		63	125	250	500	1k	2k	4k	8k	Total
Inlet	dB(A)	47	57	57	58	58	57	55	42	65
Outlet	dB(A)	41	54	51	57	57	55	53	41	63
Surrounding	dB(A)	19	13	28	38	38	38	38	27	44
Sound pressure level at 3m (20m² Sabine)	dB(A)	-	-	-	-	-	-	-	-	37
Sound pressure level at 3m free field	dB(A)	-	-	-	-	-	-	-	-	23
Accessories										

Accessories

IGK-160 Wall Grid (1632)	RE 1,5 Speed control (5000)
REE 1 Speed control (5314)	REPT 6 Digital regulator (5698)
RETP 6 Temp/Pressure regulator (32293)	REU 1.5 Speed control (5004)
REV-3POL/03-7.5kW R/Y (33978)	SG 150 Protection guard (5555)
DTV500A (96807)	HR1 Room Humidistat (215150)
Presence detector/IR24-P (6995)	RT 0-30 Room Thermostat (5151)
CB 150-1,2 230V/1 Duct heater (5378)	CB 150-2,1 230V/1 Duct heater (5379)
CB 150-2,7 230V/1 Duct heater (5380)	CB 150-5,0 400V/2 Duct heater (5381)
CBM 150-2,1 230V/1 Duct heater (5481)	CBMF 150-2,1 230V/1 Duct heater (12243)
FFR 150 Filter cassette (1769)	FGR 150 Filter cassette (1807)
FK 150 Fast clamp (1609)	LDC 150-300 Silencer (53723)
LDC 150-600 Silencer (5199)	RSK-150 Back draft damper (5599)
THB 160 Hood w. cover pl. Red (2034)	THB 160 Hood w.cover pl. black (1764)
THS 160 Hood w. cover pl. Red (2044)	THS 160 Hood w.cover pl. black (1839)

Documents

INSTALLATION_OPERATION_AND_MAINTENANCE_INSTRUCTION_K_KV_PRIO_273896_EN_008.PDF
 COMMISSIONING_RECCORD_FANS_EN.PDF
 K fan mounting.wmv