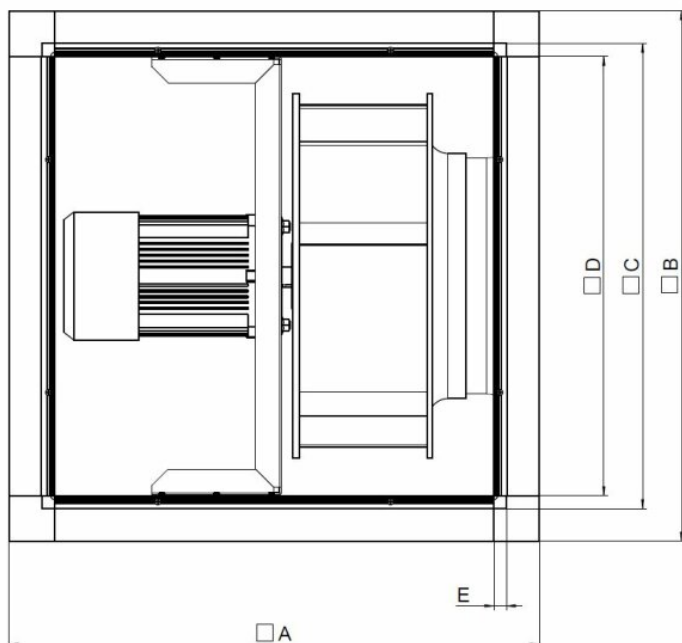


## Technical parameters

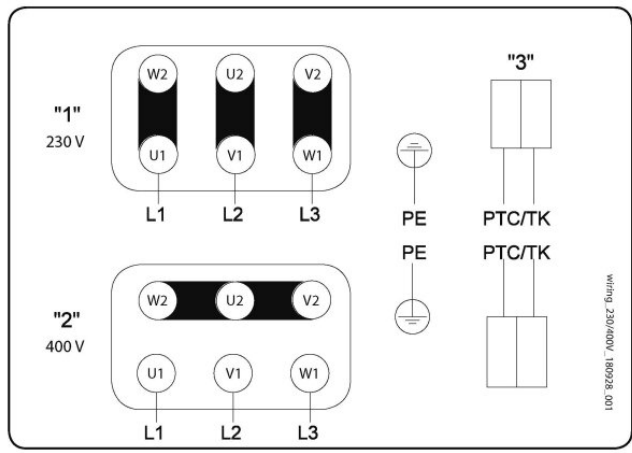
Nominal data	
Voltage (nominal)	400 V
Frequency	50 Hz
Phases	3~
Input power	1,455 W
Input current	3.01 A
Impeller speed	1,464 rpm
Air flow	max 2.2136 m <sup>3</sup> /s
Temperature of transported air	max 60 °C
Max temperature of transported air, when speed controlled	60 °C
Protection/Classification	
Enclosure class, motor	IP44
Insulation class	F
Data according to ErP	
ErP ready	ErP 2018
Dimensions and weights	
Weight	64.5 kg
Others	
Motor type	AC

## Dimension

MUB 042	□A	□B	□C	□D	E
400/450/500	690	690	590	548	21

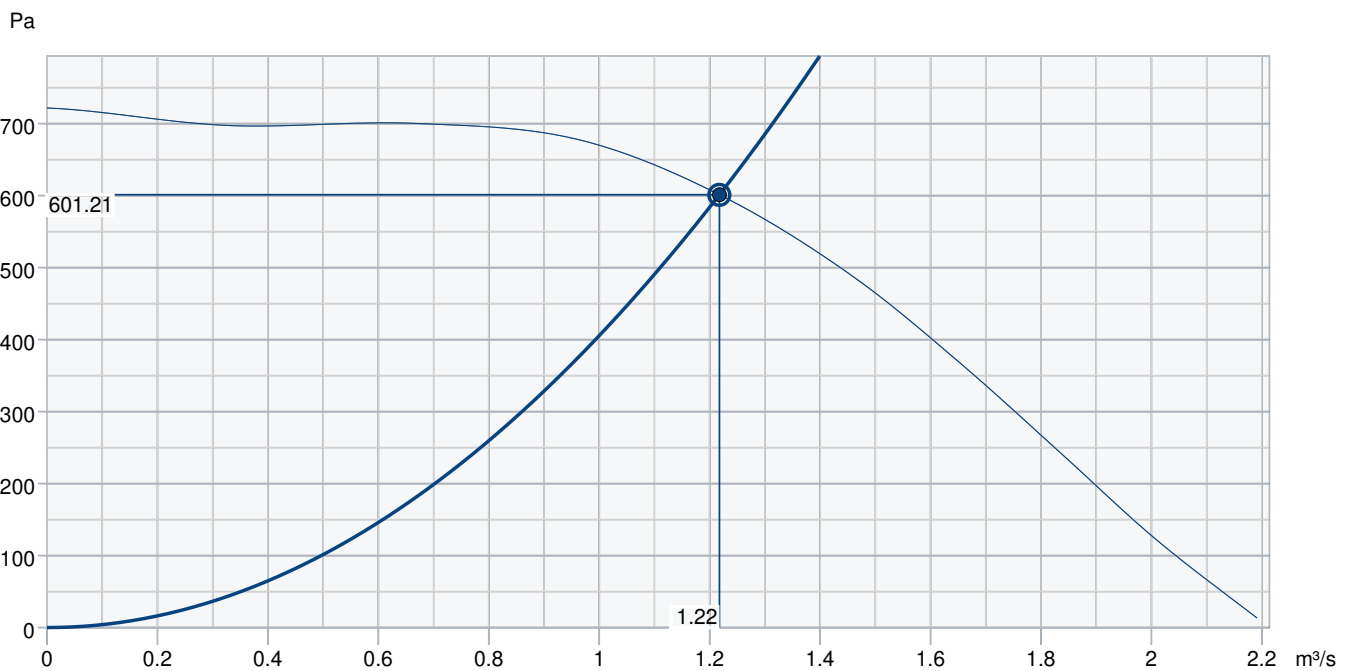


## Wiring



- 1 3 x 230V Delta Connection
- 2 3 x 400V Star connection
- 3 PTC / TK
- Changing of direction of rotation by interchanging of two phases

## Performance curve



### Hydraulic data

Required air flow	1.22 m³/s
Required static pressure	601 Pa
Working air flow	1.22 m³/s
Working static pressure	601 Pa
Air density	1.204 kg/m³
Power	1,444.1 W
Fan control - RPM	1,460 rpm
Current	3.00 A
SFP	1.186 kW/m³/s
Control voltage	400.0 V
Supply voltage	400 V

Sound power level		63	125	250	500	1k	2k	4k	8k	Total
Inlet	dB(A)	47	69	71	76	77	74	72	63	82
Outlet	dB(A)	48	71	73	78	78	76	74	65	83
Surrounding	dB(A)	26	51	47	46	48	48	40	28	55
Sound pressure level at 3m (20m² Sabine)	dB(A)	-	-	-	-	-	-	-	-	48
Sound pressure level at 3m free field	dB(A)	-	-	-	-	-	-	-	-	34

## Accessories

FGV 042/586-586 flex. conn. (4605)  
Frequency converter FRQ5-4A (36229)  
Frequency converter FRQS-4A (36231)  
REV-5POL/05-7,5kW R/Y (33979)  
TUNE-AHU-DE007-042-588x588-M0 (79881)  
UGS 042/500 adapter flex. (4357)  
WSG 042 MUB complete (31485)  
CCM inlet MUB042 d400 (311780)  
CCM outlet MUB042 d400 (311682)  
CCMI outlet 042 d400 KIT 30mm (239093)  
GRU 042-690/100 (276661)  
KKC-DX-R 042 cooling section (277265)  
KKC-W-R 042 cooling section (277273)  
KKH-HW 042 heater-section (93339)  
SDM Service Door MUB 042 30mm (273934)

Frequency converter FRQ-4A (36227)  
Frequency converter FRQ5S-4A (36233)  
Frequency converter FXDM5AM (31387)  
SD-MUB Vibration pad set (37324)  
U-EK230E Motor protection (30199)  
WSD 042 (730x730x70) complete (31481)  
REV-5POL/07-EMV-7,5kW R/Y (34549)  
CCM inlet MUB042 d500 (311781)  
CCM outlet MUB042 d500 (311683)  
CCMI outlet 042 d500 KIT 30mm (239094)  
KKC-DX-L 042 cooling section (277261)  
KKC-W-L 042 cooling section (277269)  
KKF 30 042-filter-section (93311)  
KKS 042 silencer-section (276851)

## Documents

Installation, Operation and Maintenance instruction\_001  
UKCA DECLARATION OF CONFORMITY\_MUB\_EN\_002.PDF  
COMMISSIONING REPORT\_FANS\_160628\_EN\_001.PDF