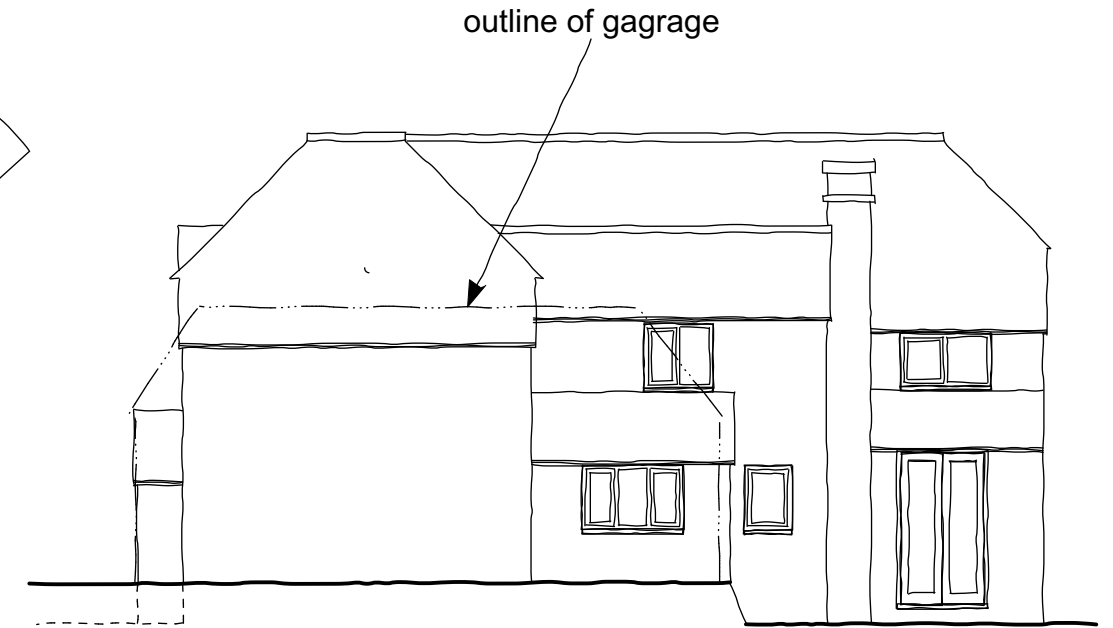
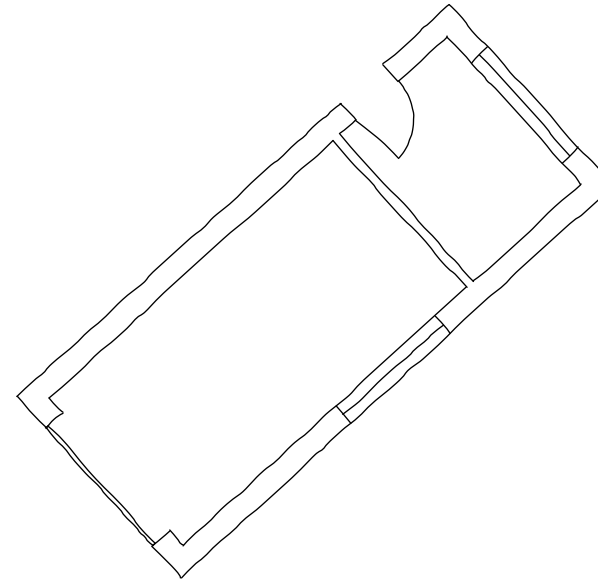


GROUND FLOOR PLAN



SIDE ELEVATION



FRONT ELEVATION



REAR ELEVATION

Rev.	Date	Amendment
A	22.08.2022	Window added to ground floor plan

Project
**TUDOR COTTAGE
 WEDMANS LANE
 ROTHERWICK
 RG27 9BN**

Title
EXISTING PLANS AND ELEVATIONS

Client
A AND J HUNT

Drawn	DNK	Drawing No	Rev.	
Scale	1:100	494 03	A	
Date	4 APRIL 2022			
Size	A3	Ref No		03A 494 Ex Plans and Elevations 1to100onA3

JKL JKL Architecture
 Courtyard Place, Andwell Lane, Andwell, Hook, Hampshire RG27 9PA
 Telephone: 01256 474942 email: info@jklarchitecture.co.uk