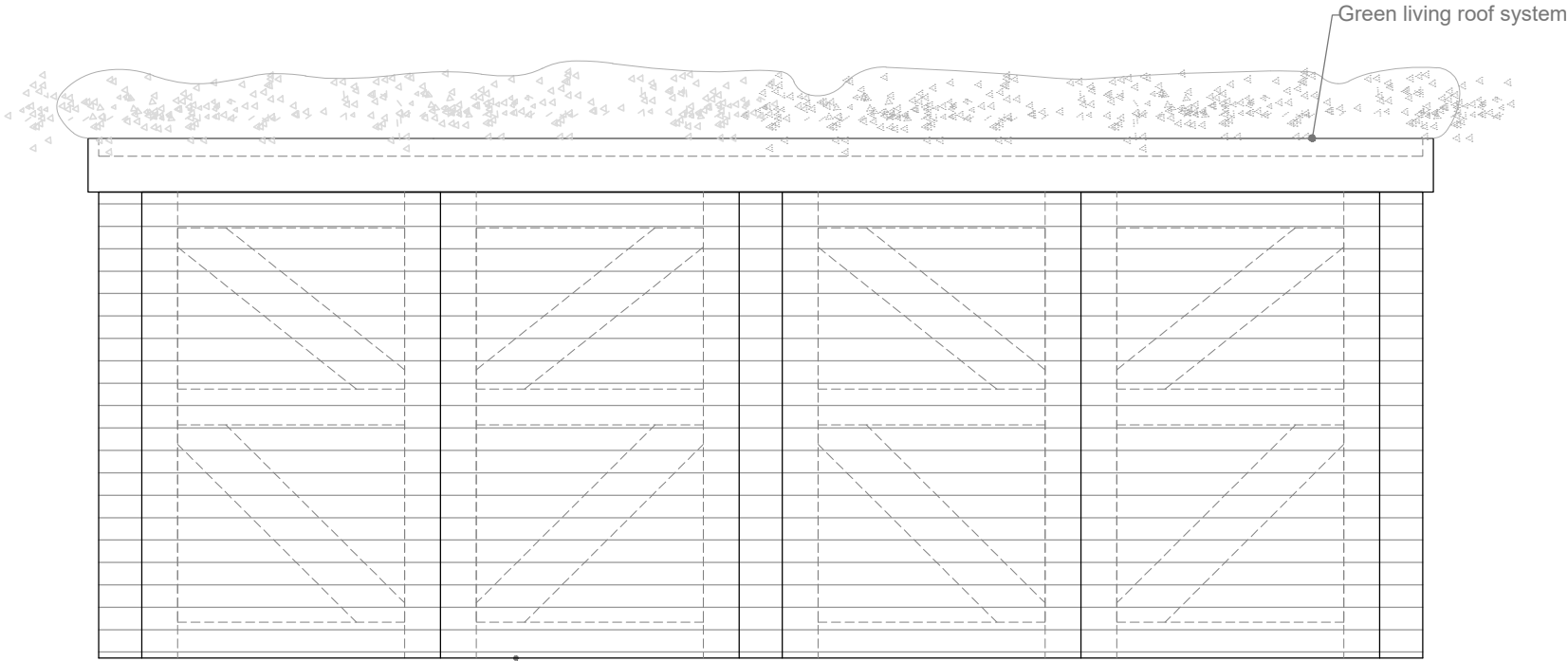
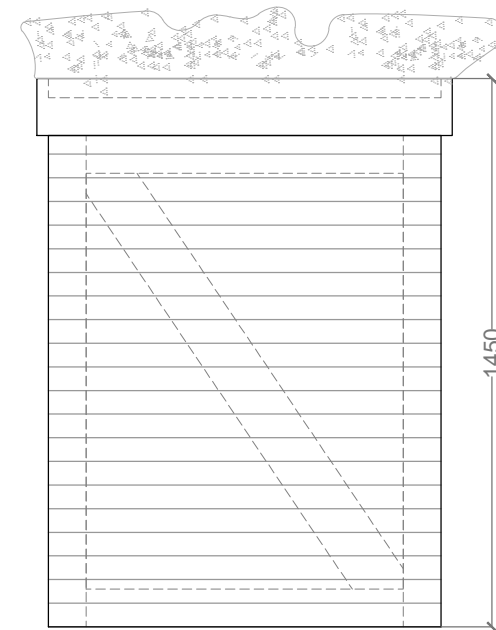


Timber Refuse and Recycling enclosure - Detail 1:20

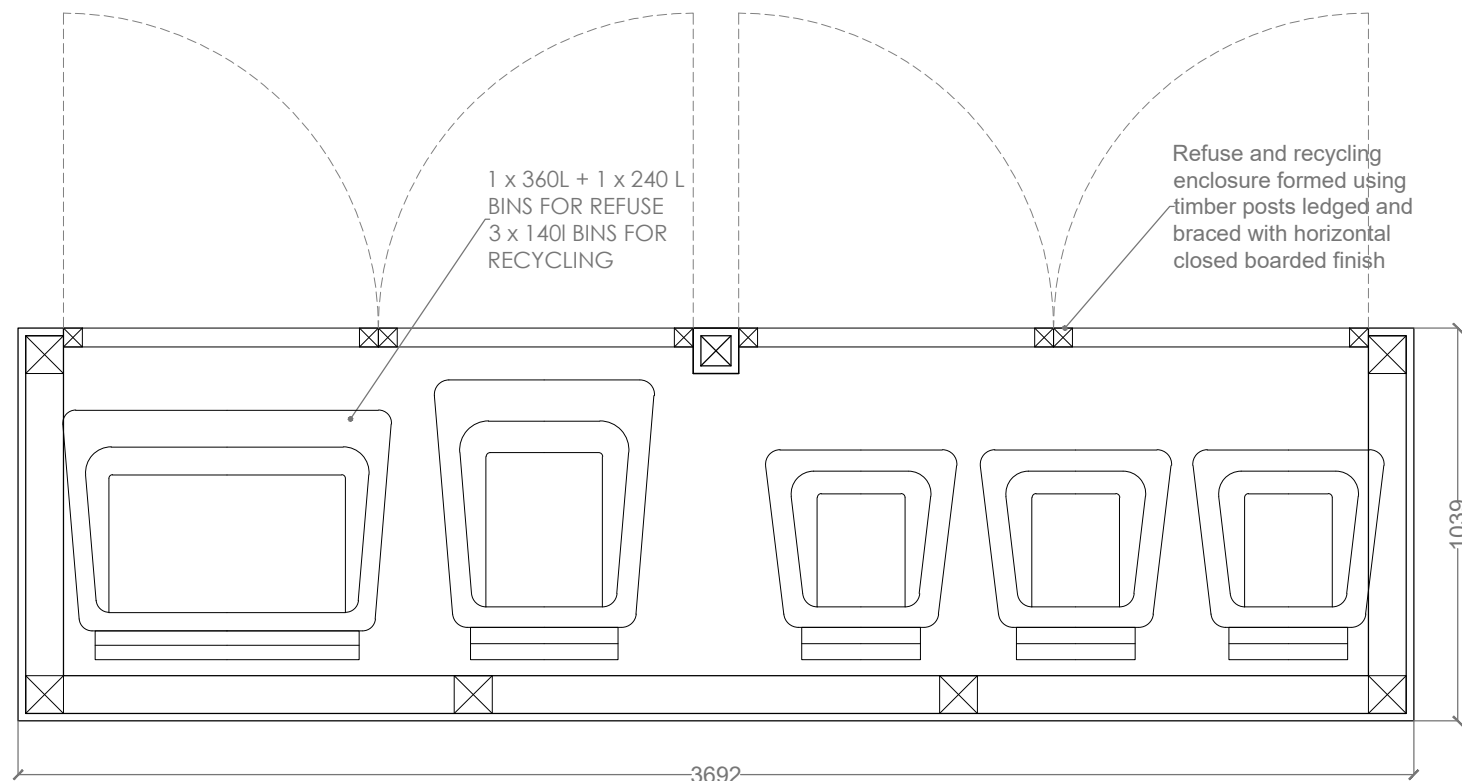


Front elevation

Close boarded ledged and braced door hang off galv. MS. gate hinges with galv. MS. gate latch



Side elevation



Plan

1 x 360L + 1 x 240 L BINS FOR REFUSE
3 x 140L BINS FOR RECYCLING

Refuse and recycling enclosure formed using timber posts ledged and braced with horizontal closed boarded finish

Scale 1:20



NOTE: Survey information regarding N^os 389 and 393 of Ewell Road has been taken from ordinance survey maps, aerial images and photography

NOTE: All the works must be certified by an approved buildingcontrol inspector and Thames Water prior to works commencing
Do not scale from this drawing

391 EWELL ROAD SURBITON
KT6 7DG, LONDON

PROPOSED
REFUSE AND RECYCLING ENCLOSURE

DATE	08-01-23
FILE	391 Ewell Road Surbiton_08-01-23_01
LAYOUT	15
SCALE	1:20
PAPER	A3

DRAWING TO BE READ IN CONJUNCTION WITH THE SPECIFICATION AND ALL RELEVANT DRAWINGS
DO NOT SCALE FROM THIS DRAWING
CONTRACTOR TO CHECK ALL DIMENSIONS ON SITE
PLANT TO BE ADVISED OF ANY DISCREPANCIES BETWEEN THIS DRAWING AND SITE CONDITIONS IMMEDIATELY