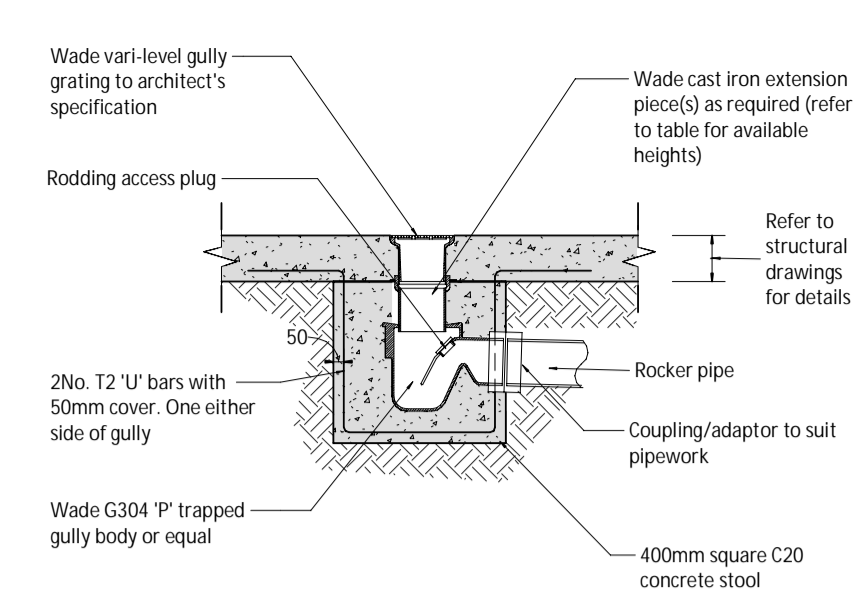
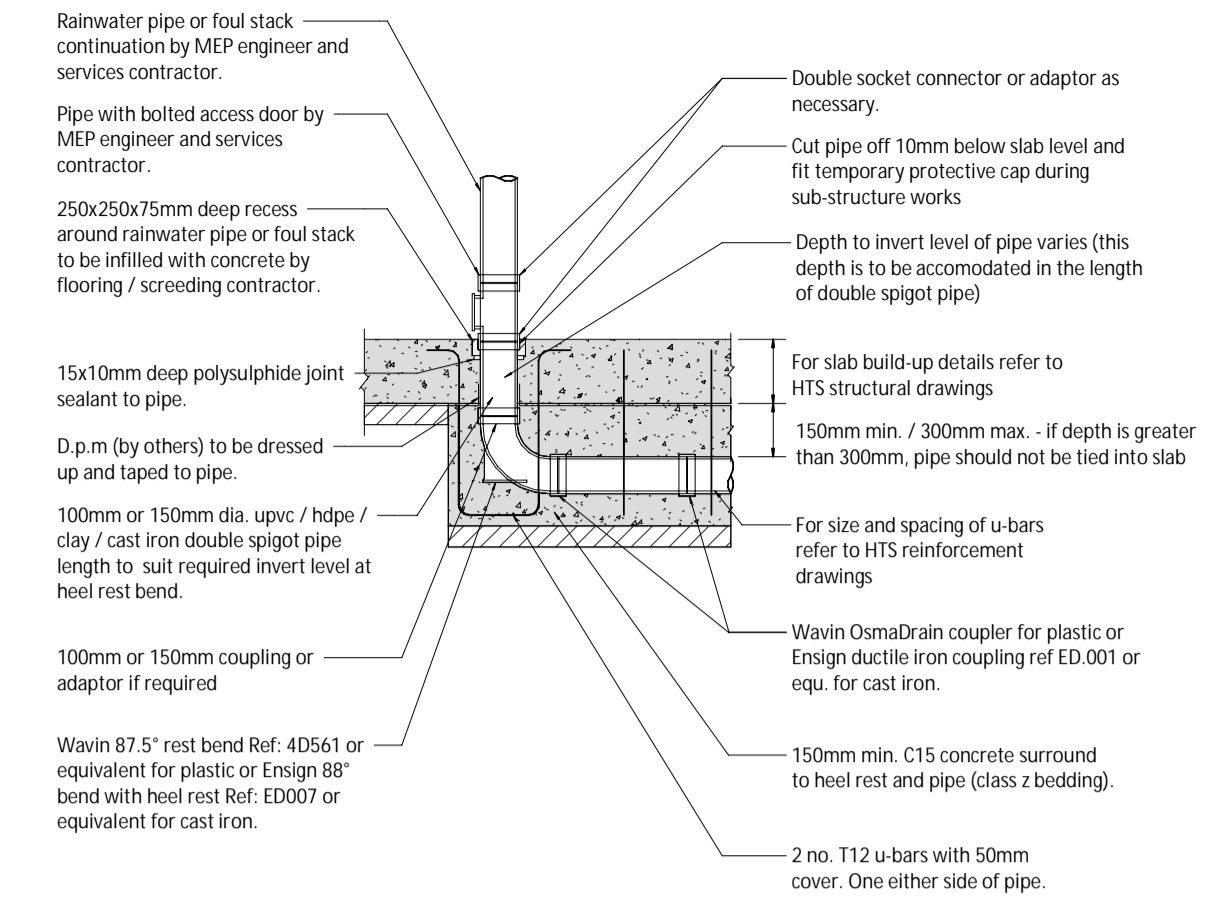


**Typical Bedding detail for cast iron drains when laid with less than 300mm cover (Class Y)**  
1:25

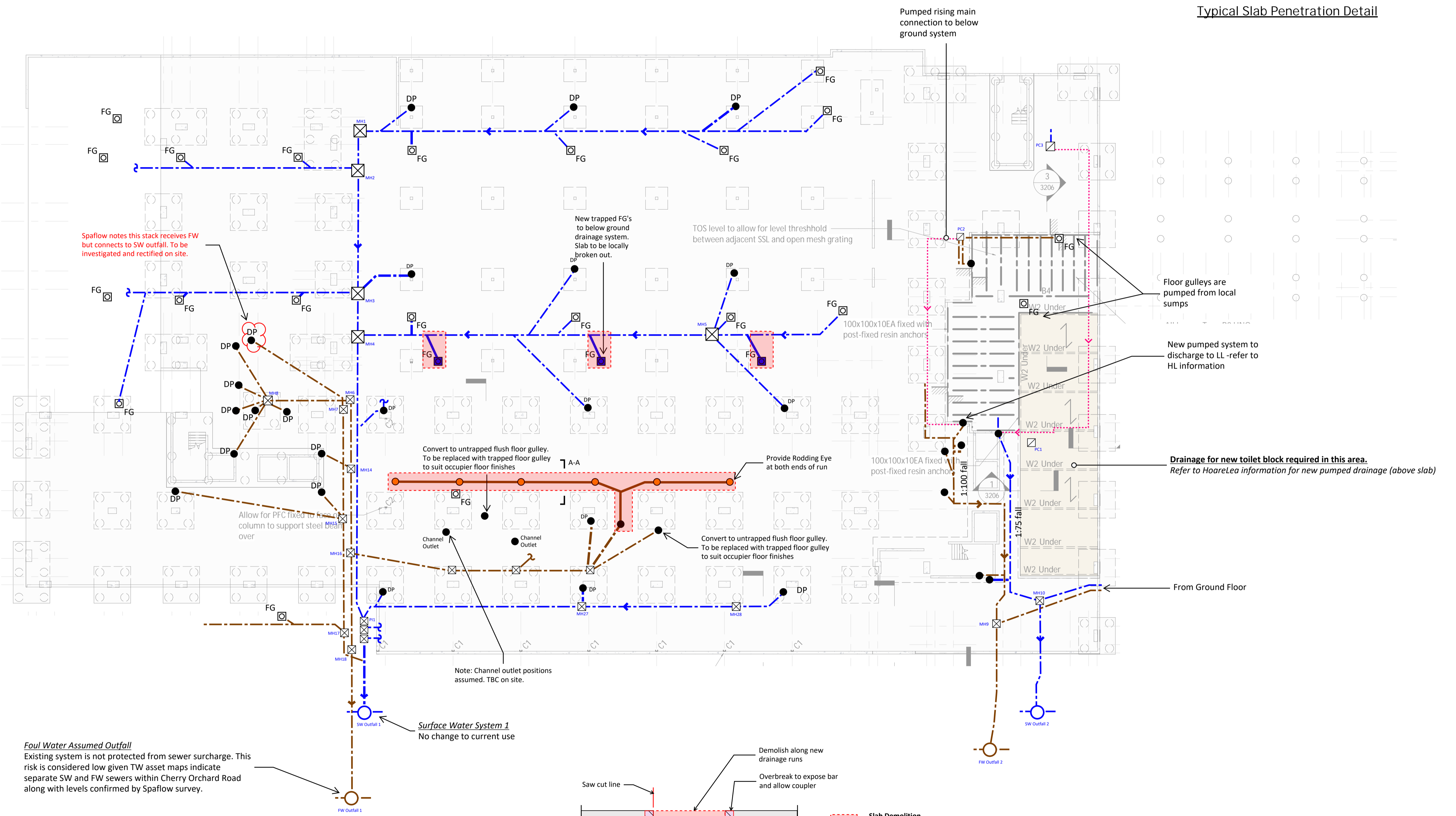


**Typical Internal Floor Gully P Trap**  
1:25



**Typical Slab Penetration Detail**

Key	
	Existing SW Drain Run
	Existing FW Drain Run
	Existing Pumped Rising Main
	Existing Floor Gully
	Existing Down Pipe (from above)
	Manhole Chamber
	Sump Pump
	Proposed Linear Drain
	Proposed New SW Connection
	Proposed New FW Connection
	Proposed SW Drain Run
	Proposed FW Drain Run



**Issues**  
06.02.23 - Stage 4 Issue  
27.07.23 - Updated following Spaflow Survey  
21.09.23 - Updated with HL information

**HEYNE TILLET STEEL** STRUCTURAL & CIVIL ENGINEERS  
<http://hts.uk.com/>

Job Name  
**Knollys & Stephenson Hse**  
Croydon CR0 6SR

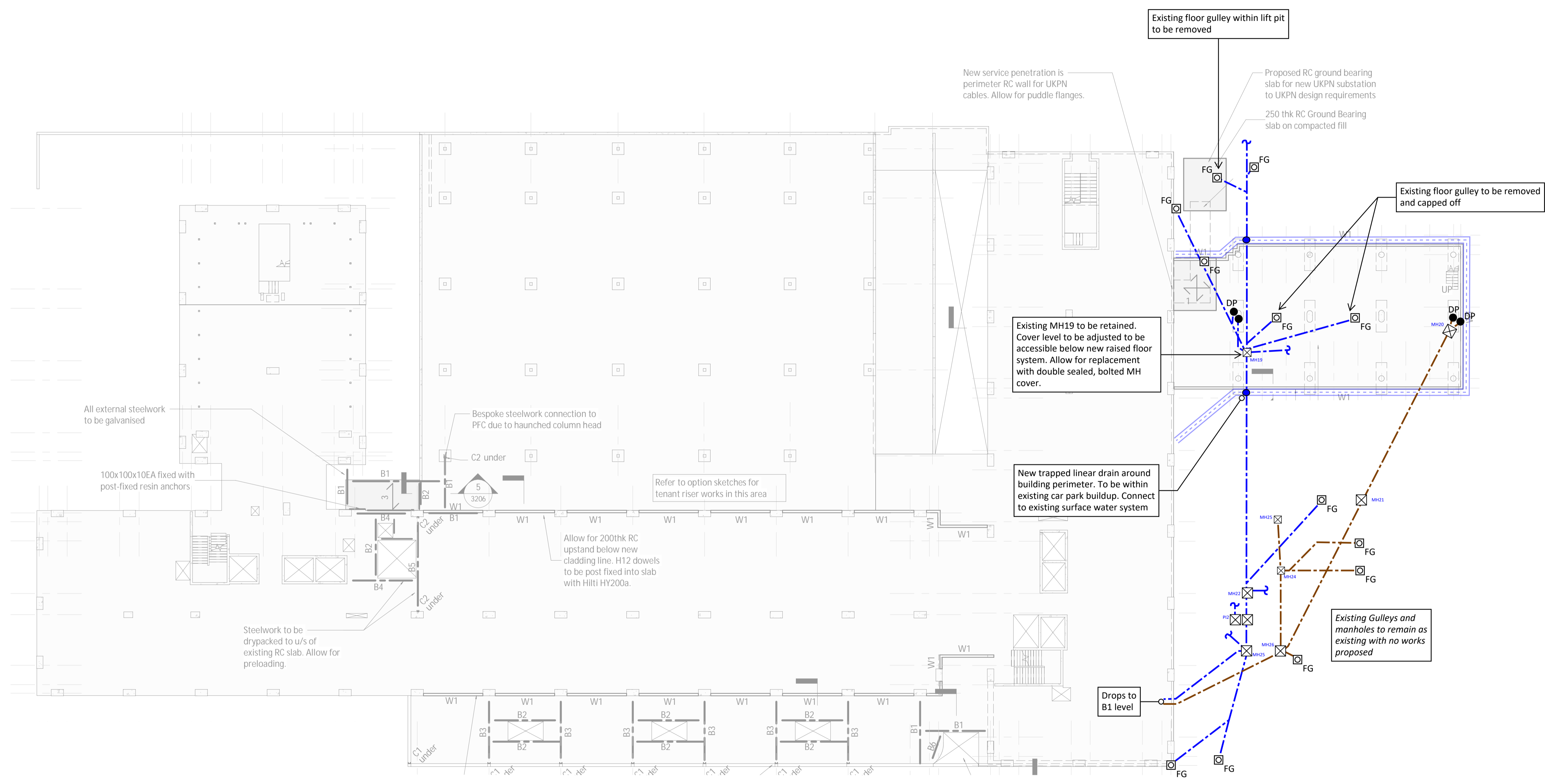
Drawing Title  
**Below Ground Drainage Lower Ground Floor**

Purpose of Issue  
Scale at A1

Drg No **2618 - C - SK033**

HTS Job No Suitability S1 Rev **T3**

**Notes**  
Layout and drainage routing indicated based on Spaflow survey information (July 2023).  
Existing system is to be jetted and cleaned and resurveyed during the works.  
**Refer to Spaflow report for all recommended remedial works to runs and manholes.**



**Key**

- Existing SW Drain Run
- Existing FW Drain Run
- Existing Pumped Rising Main
- FG Existing Floor Gully
- Existing Down Pipe (from above)
- MH Manhole Chamber
- SP Sump Pump
- Proposed Linear Drain
- Proposed New SW Connection
- Proposed New FW Connection
- Proposed SW Drain Run
- Proposed FW Drain Run

**Issues**

06.02.23 - Stage 4 Issue  
 27.07.23 - Updated following Spaflow Survey  
 21.09.23 - Updated with HL information



Job Name  
**Knollys & Stephenson Hse**  
 Croydon CR0 6SR

Drawing Title  
**Below Ground Drainage**  
**Ground Floor**

Purpose of Issue Scale at A1

Drg No **2618 - C - SK033**

HTS Job No Suitability S1 Rev **T3**

**Notes**  
 Layout and drainage routing indicated based on Spaflow survey information (July 2023).  
 Existing system is to be jetted and cleaned and resurveyed during the works.  
**Refer to Spaflow report for all recommended remedial works to runs and manholes.**