

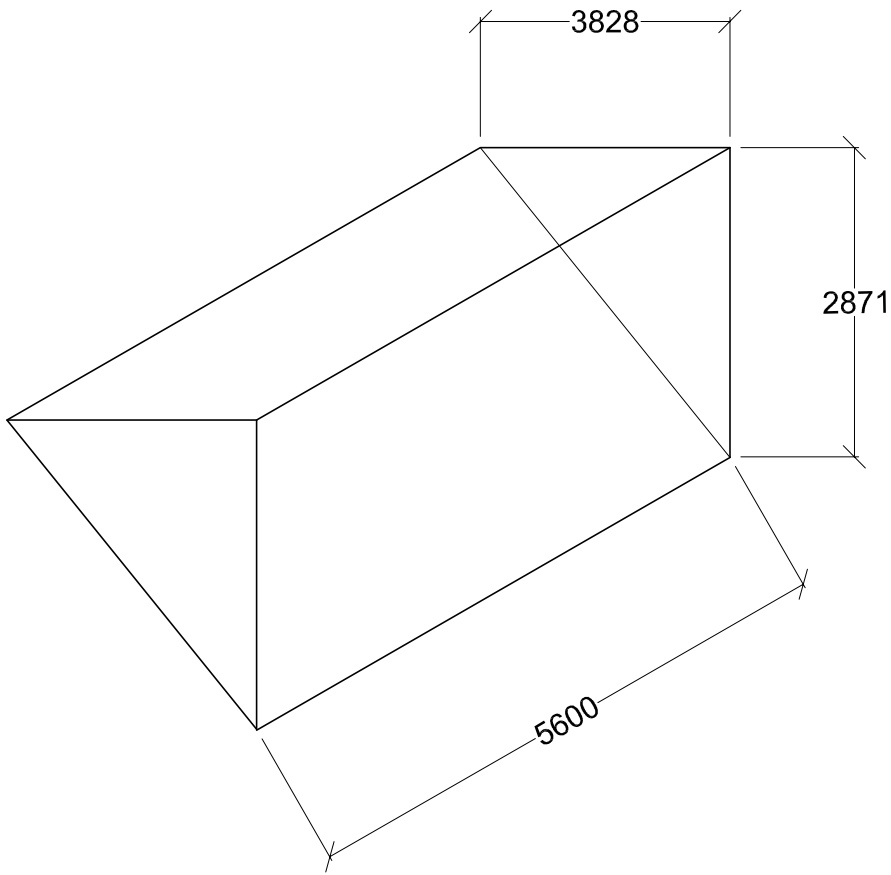
ADDRESS: 183 CLARE ROAD, MAIDENHEAD SL6 4DL

DRAWING: SK-1210-1A

TITLE: ROOF VOLUME CALCULATIONS

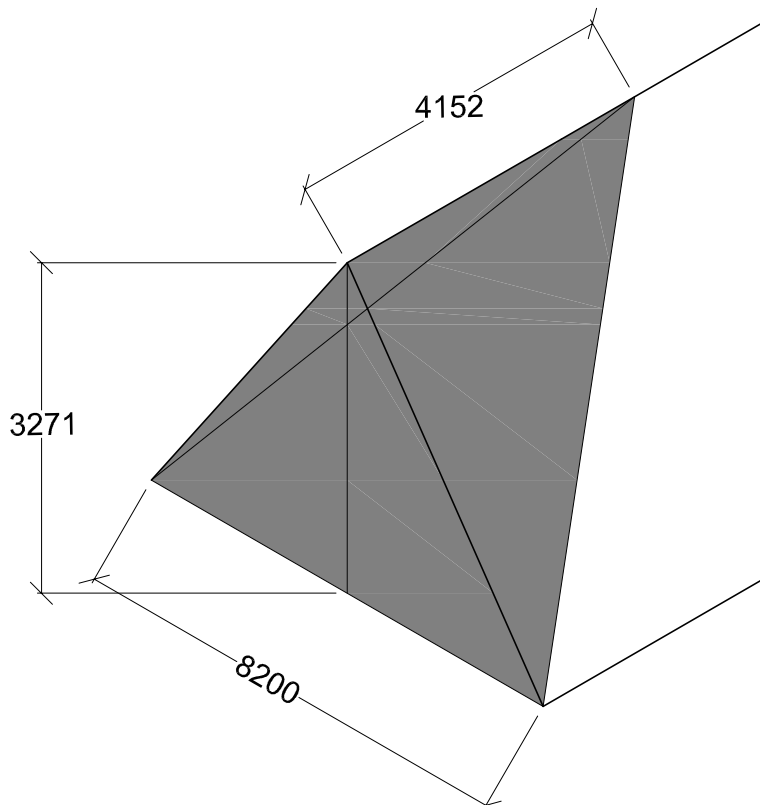
SCALE: N/A

DATE: MAR 2024



PROPOSED REAR
DORMER WINDOW

30.77m³



PROPOSED HIP TO
GABLE CONVERSION

18.56m³

TOTAL VOLUME

49.33m³