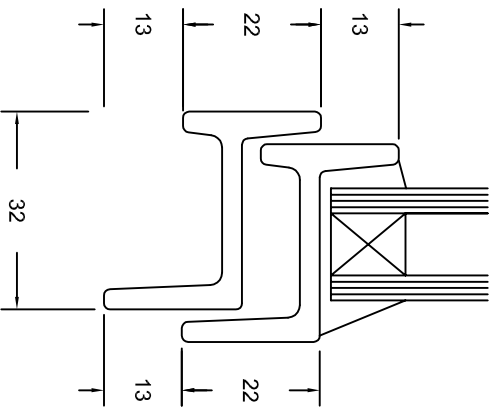


W20 WINDOW SECTIONS

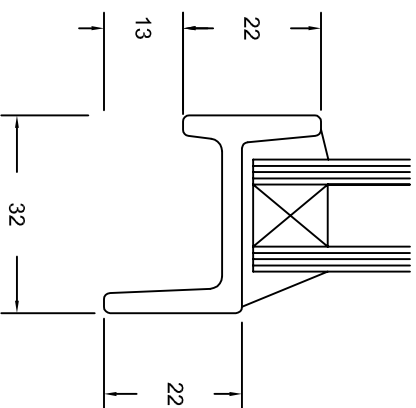
18mm Double-Glazed Units

Odd Leg Frame - Operer



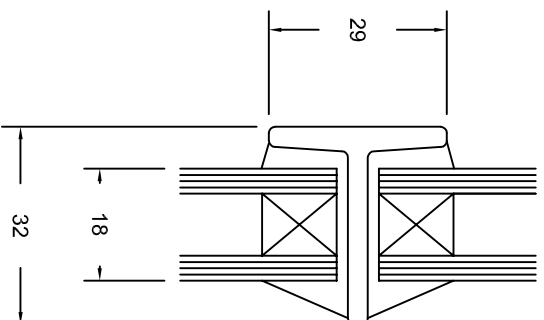
18mm Double-Glazed Units

Odd Leg Frame - Fast



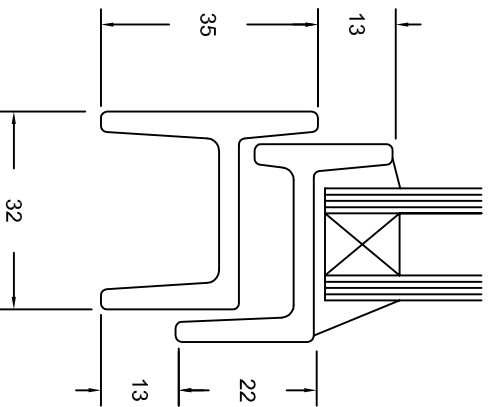
18mm Double-Glazed Units

Tee Bar



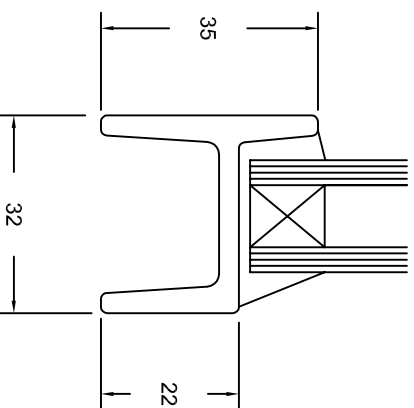
18mm Double-Glazed Units

Equal Leg Frame - Operer



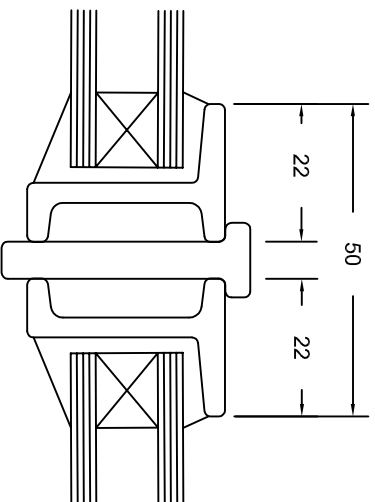
18mm Double-Glazed Units

Equal Leg Frame - Fast



18mm Double-Glazed Units

Mullion/Coupler



General Notes

Do Not Scale

W20 Steel Sections

Glazing: 4-10-4 (18mm) DGU  
 Low E glass  
 Warm edge spacer bars  
 Krypton filled cavity

29 August 2023

W20 Steel Window Sections

Odd Leg/Equal Leg

18mm Double-Glazed Units

Drq No. M19000 01 A



Unit 85, Northwick Business Centre, Blockley  
 Moreton-in-Marsh, Glos, GL56 9RF  
 Tel: (01386) 701079 Fax: (01386) 701114  
 E-mail: sales@mikehonourwindows.co.uk  
 Web: www.mikehonourwindows.co.uk