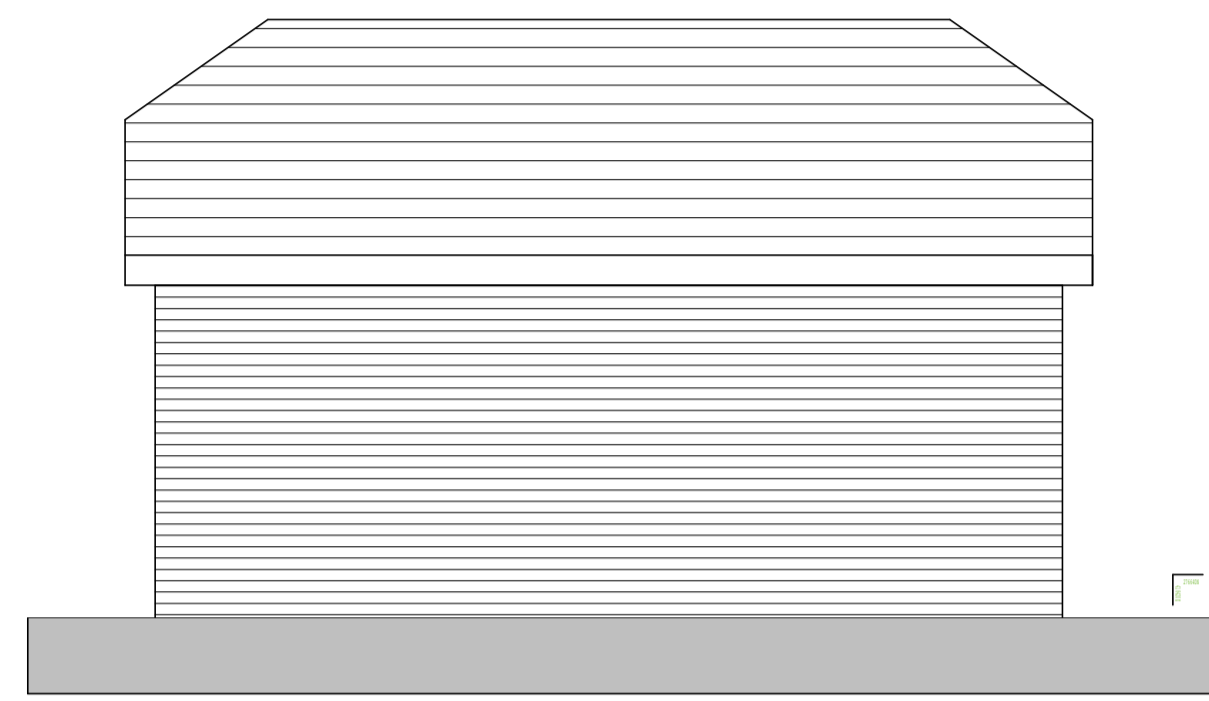
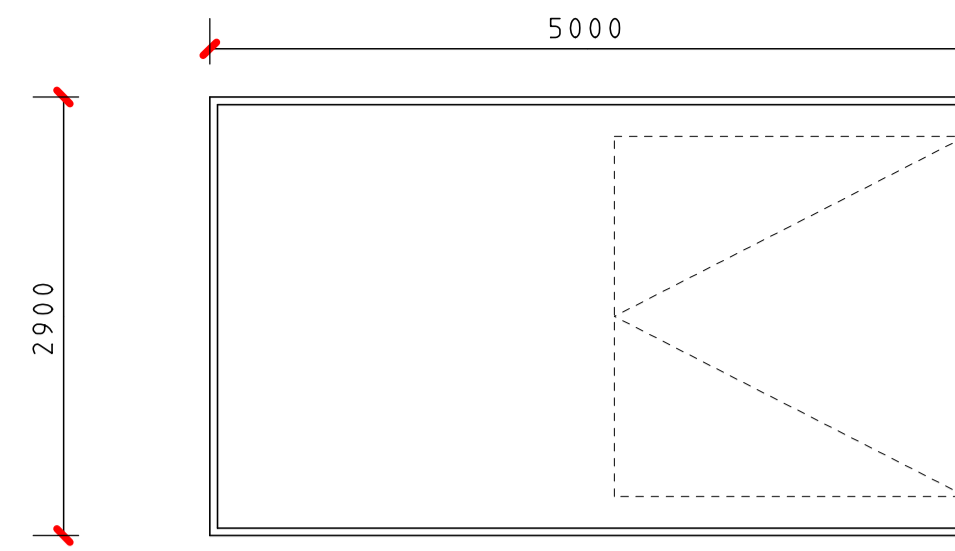


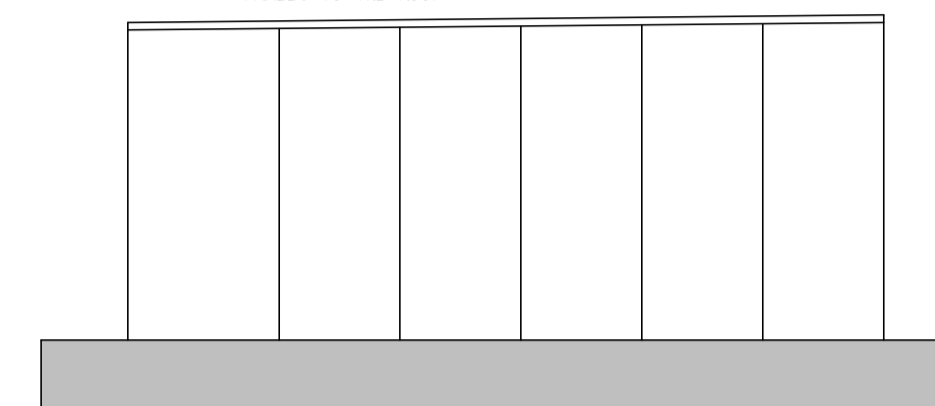
PROPOSED FRONT ELEVATION



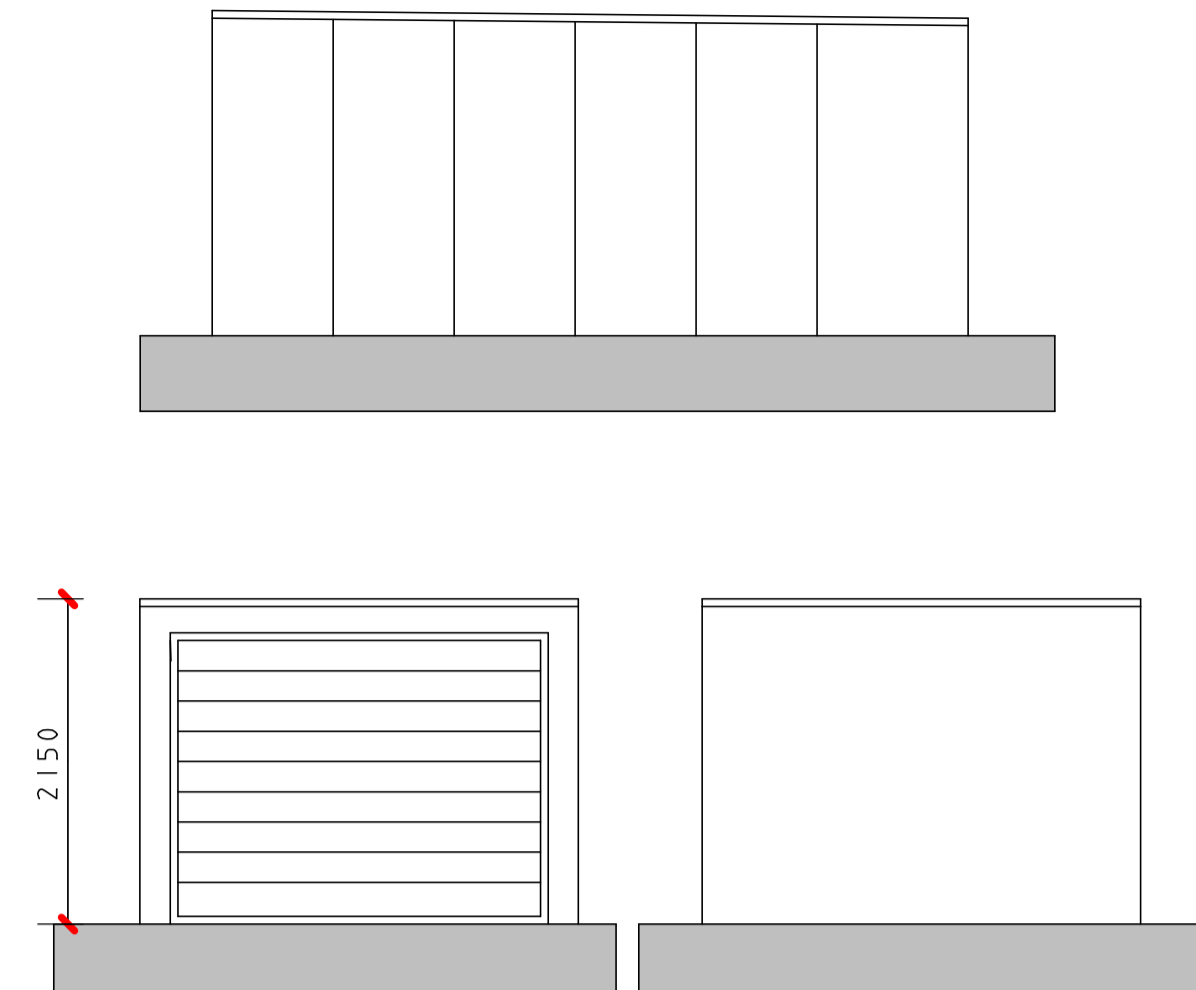
PROPOSED SIDE ELEVATION



EXISTING GARAGE BANBURY STYLE
PRE-CAST CONCRETE AGGREGATE
PANELS
WITH FIBRE CEMENT SHEET
PANELS TO THE ROOF



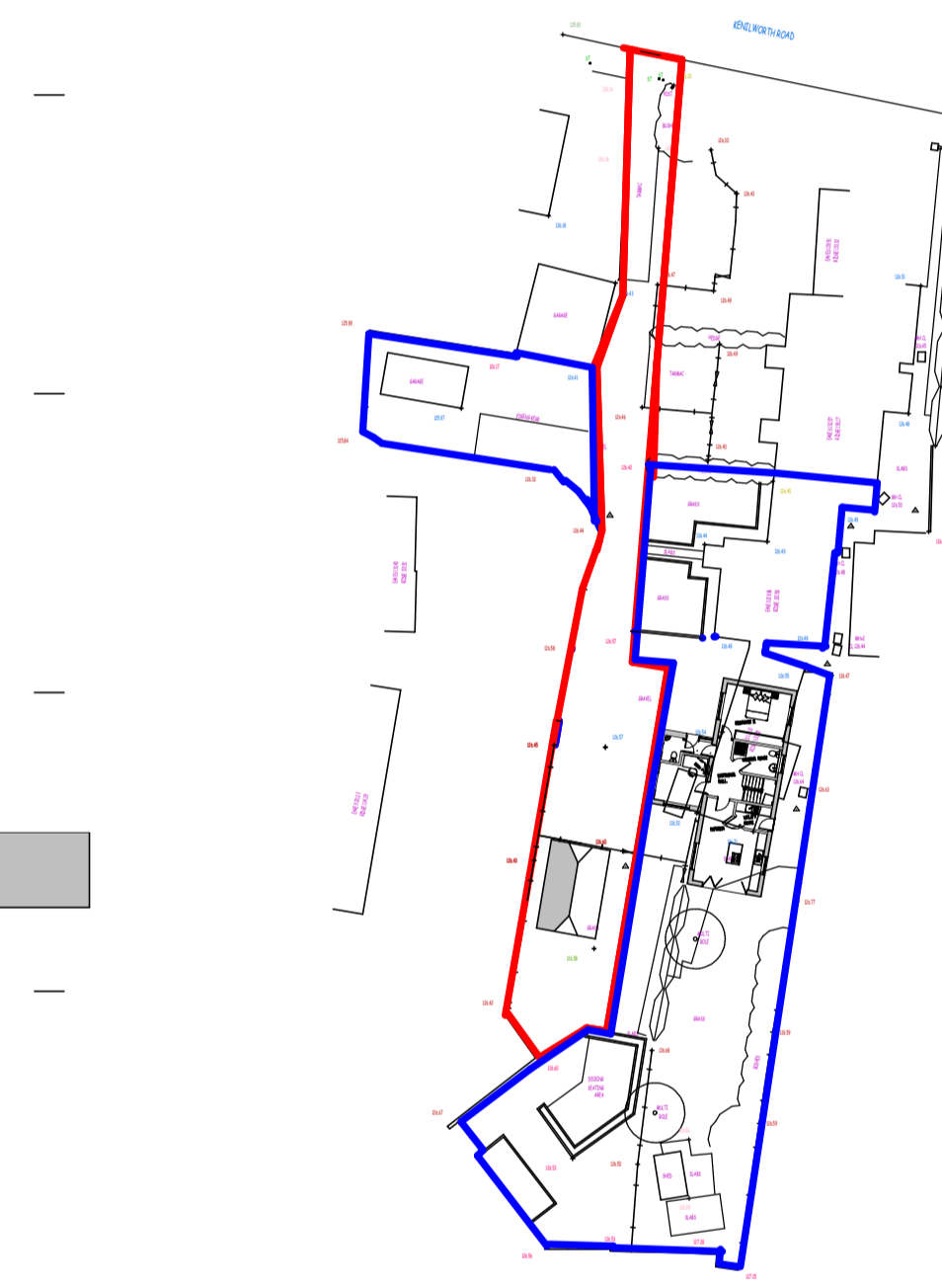
EXISTING SIDE ELEVATION



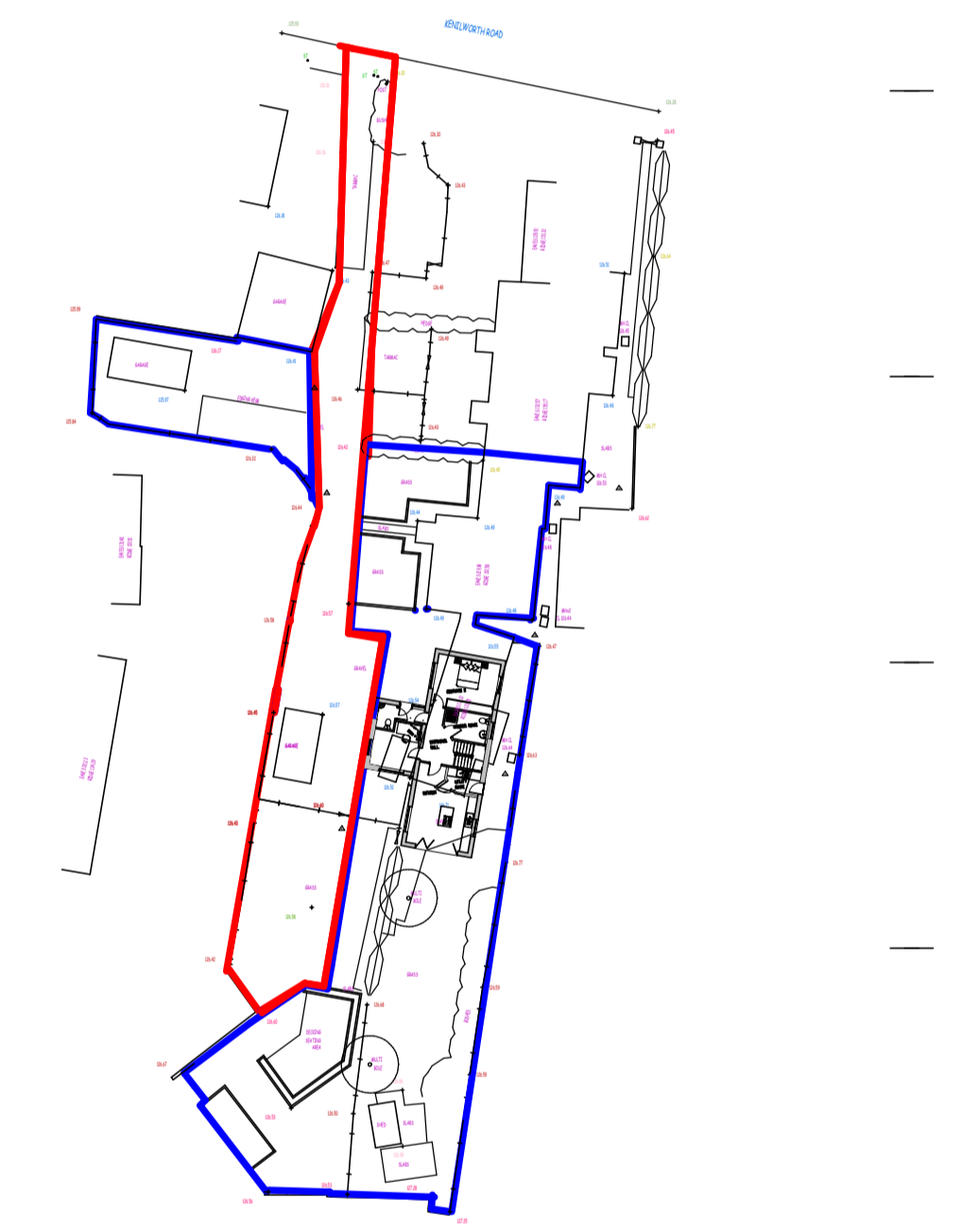
EXISTING FRONT + REAR ELEVATIONS



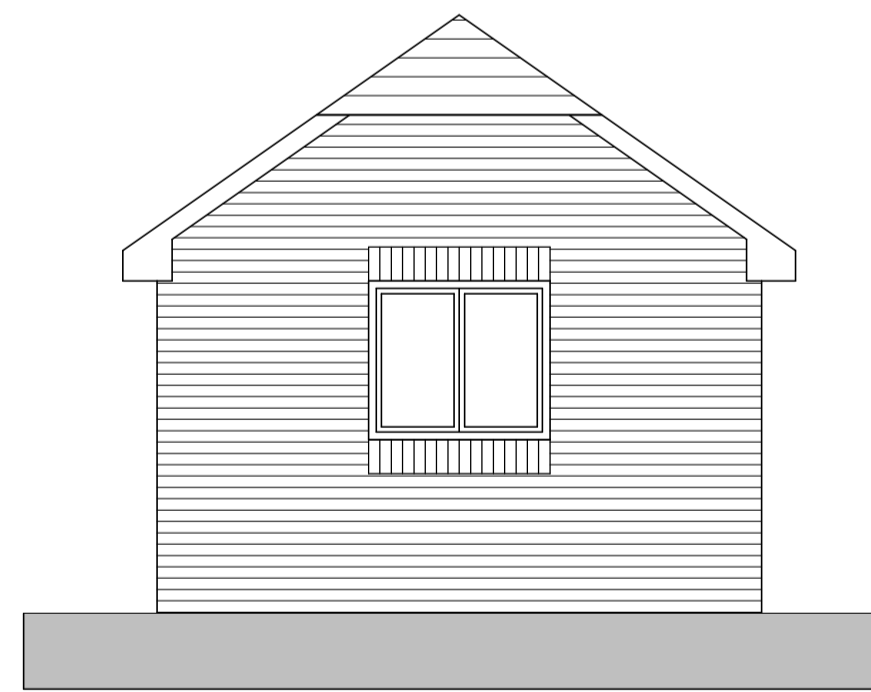
PROPOSED SIDE ELEVATION



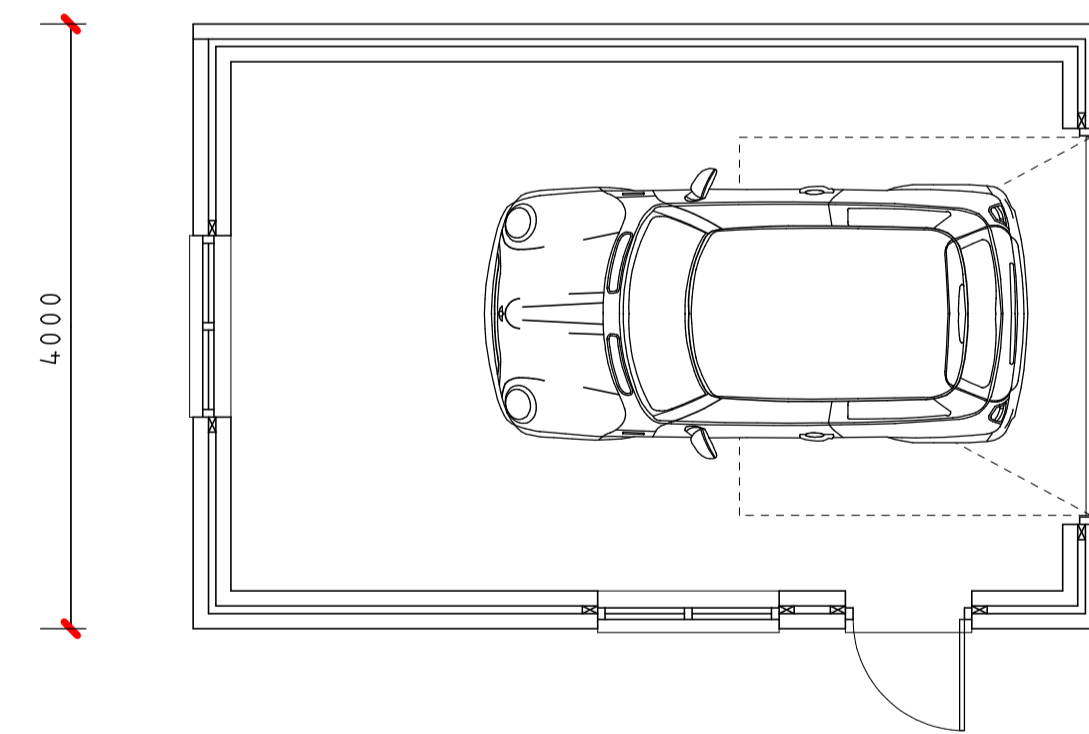
PROPOSED SITE PLAN
1:500



EXISTING SITE PLAN
1:500



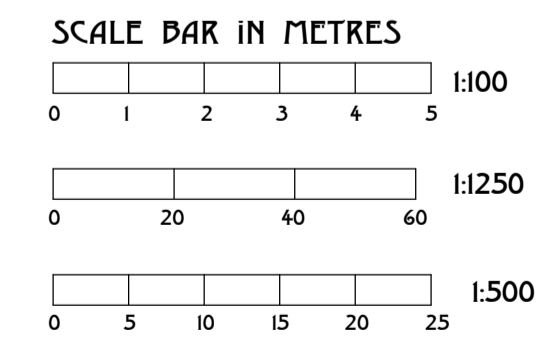
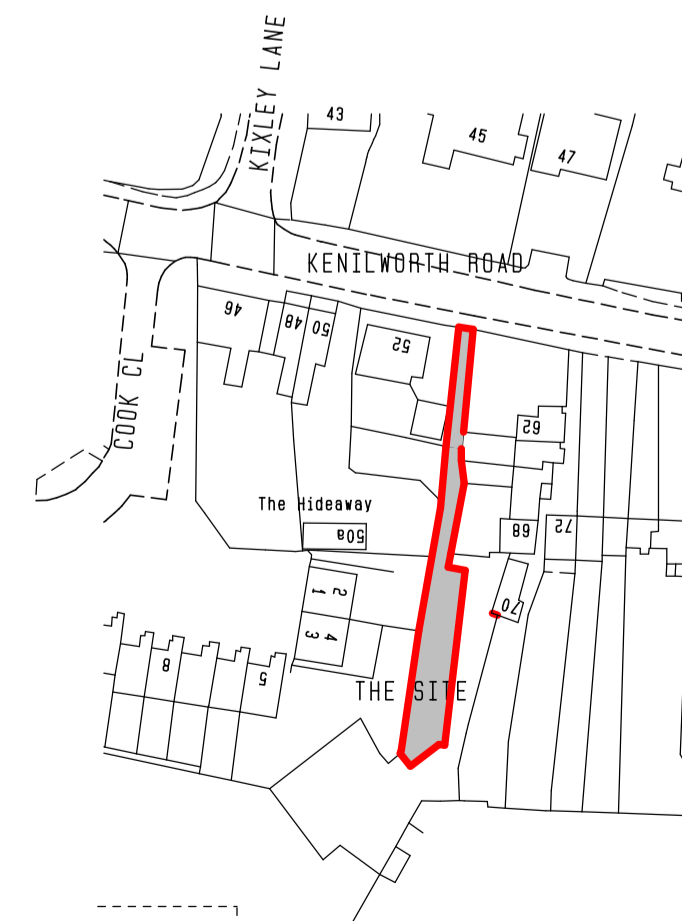
PROPOSED END GABLE



PROPOSED FLOOR PLAN



LOCATION PLAN 1:1250



CROSS + CRAIG ASSOCIATES
ARCHITECTS

VINE HOUSE STATION ROAD
DORRIDGE SOLIHULL W. MIDS B93 8HB

TEL 01564 773927

MR + MRS ROGER MARGHALL
REPLACEMENT GARAGE AT
70 KENILWORTH ROAD
KNOWLE
SOLIHULL
B93 0JL
PLANNING SCHEME

DATE 01/2022	REVISION
SCALE 1:50	
CODE	DWG NO 5725/10